

# Contemporary Series

DIRECT VENT  
GAS FIREPLACES

*Slayton shown w/convex frame/face -  
Cobalt Blue liquid glass*



**Nicollet**  
Nicollet Specifications .....2

**Delano**  
Delano Specifications .....4

**Slayton**  
Slayton Specifications .....6

Fireplace Options  
& Accessories .....8

**MODELS**  
**NICOLLET • DELANO • SLAYTON**

# Nicollet Specifications



Shown w/brushed stainless convex frame/face & firebox lining - Cobalt Blue liquid glass

Model	Fuel Options	High	Low	Max. Efficiency
Nicollet	NG	12,500	4,500	79.70%
	LP	12,500	4,500	80.50%

The Nicollet comes standard with an electronic ignition pilot system. The included thermostatic remote control will adjust the flame, fan speed & back lighting - fan kit is an optional accessory.

## Features

- Canada P-4 approved
- Electronic ignition pilot system - standing pilot option as well
- Ceramic lifetime glass (21" X 14") quick-latch removal
- Remote control - (flame, light & fan adjustment)
- 2-receptacle assembly for wiring
- Black enamel firebox liner
- Light kit bottom
- Engineer-designed burner system
- Minnesota Energy Code Compliant to 50 pascals

## Required for Installation\*

- Rectangular or convex contemporary frame/face\*  
Measurements - 21 1/16" w x 33 3/8" h  
(black, rust, titanium or brushed stainless)
- Glass media kit (various colors available)

\*Door faces offered for the model 'Two Harbors' can also be used

## Safety

- Each unit factory tested!
- Tested by PFS Corp.  
Complies with ANSI-Z21.88a -2009•CSA 2.33-2009 P.4.1-09  
'Vented Gas Fireplace Heaters'
- U.S. & Canadian installation approved
- Sealed combustion chamber
- Removable control board with safety pilot
- Automatic pressure relief glass system
- Bedroom & mobile home approved

## Vent System Approval & Requirements

This fireplace is approved for the following vent systems:

- Simpson Dura-Vent™ DV-GS Pipe - 5" x 8"
- Selkirk Metalbestos™ - 5" x 8"
- Ameri-Vent™ - 5" x 8"
- Metal Fab™ - 5" x 8"
- ICC™ - 5" x 8"
- Security™ - 5" x 8"
- RLH™ - 5" x 8"

**Elbows:** For each additional elbow used after the first 2 elbows, 3' must be subtracted from the maximum venting allowed.

Note: (2) 45° elbows = (1) 90° elbow.

## Horizontal Terminations

**Minimum:** 90° elbow + termination cap **Maximum:** 20'

A horizontal vent heat shield, that is included with the fireplace, must be installed when using a 90° elbow directly off top of fireplace.

**IMPORTANT:** Kozy Heat part #800-WPT or #800-WPT2,

must be used on ALL horizontal vent runs.

#800-WPT (4½ - 6½" wall thickness)

#800-WPT2 = 6½" - 12½" wall thickness

## Vertical Terminations

Minimum: 3' Maximum: 36'

## Horizontal / Vertical COMBO:

20' horizontal / 20' vertical\*

Please consult the venting chart in the installation manual.

## Specifications

Height	31 1/2"
Width	18 1/2"
Back width	5 1/4"
Depth	14 3/8"
Weight	76 lbs.

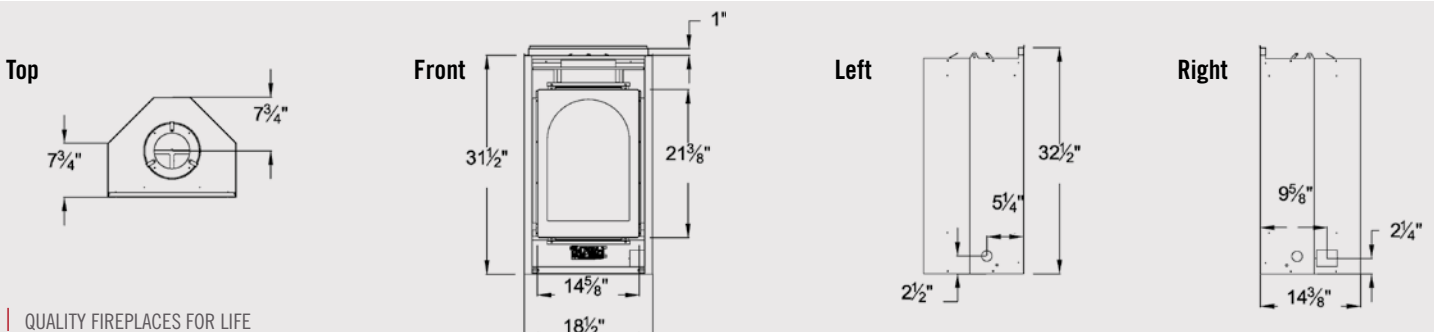
## Framing Dimensions

Height	32 5/8"
Width	19 3/4"
Depth	14 7/8"

## Clearances

Fireplace face top to framing	1"
Fireplace left & right sides & back	1/2"
From decorative face top (in order to remove face)	1/4"
Fireplace bottom to flooring	0"
Fireplace base to ceiling	52"
Fireplace side stand-offs to adjacent sidewall	0"
Top of fireplace to 3/4" projection	2 1/4"

Mantel must be a minimum of 7 ½" from top of fireplace face. The maximum depth at this height is 12". See additional mantel clearance configurations in the installation manual.



Shown w/black convex frame/face -  
H2O liquid glass



## The Nicollet...

The *Nicollet* offers the option of elevated viewing in countless imaginative opportunities. A variety of color and design options make the *Nicollet* perfect for a classic or contemporary installation. Accent lighting can be used with the flame on or off, and the ability to adjust the flame with the standard full-function remote puts warmth and style right at your fingertips!

# Delano Specifications

Shown w/black convex frame/face - H2O liquid glass



Model	Fuel Options	High	Low	Max. Efficiency
Delano	NG	26,000	10,000	79.8%
	LP	25,500	8,000	81.18%

The Delano model (Electronic Ignition) comes standard with a decorative black curved firebox lining, remote modulating valve system w/ flame & fan adjustment. (remote control & light kit included)

## Features

- Canada P-4 approved
- High quality, quick-latch, lifetime glass (23 $\frac{3}{4}$ " X 30 1/16" )
- Black enamel firebox lining (curved design)
- Light kit (bottom)
- Remote control - thermostatic (flame, light & fan adjustment)
- High-low regulator
- Engineer-designed burner system
- Minnesota energy code compliant to 50 pascals

## Required for Installation

- Glass media kit (various colors available)
  - Contemporary frame/face (various designs & finishes available)
- Measurements - 39  $\frac{3}{8}$ "w x 33  $\frac{1}{2}$ "h

## Safety

- Each unit factory tested!
- Tested by OMNI-Test Laboratories
- Complies with ANSI-Z21.88-2009•CSA 2.33-2009 "Vented Gas Fireplace Heaters"
- U.S. & Canadian installation approved
- Sealed combustion chamber
- Removable control board with 30-second safety pilot
- Automatic pressure relief glass system
- Battery back-up
- Bedroom & mobile home approved

## Vent System Approval & Requirements

**This fireplace is manufactured to accept 5" x 8" pipe only.**

- Simpson Dura-Vent™ DV-PRO Pipe - 5" x 8"
- Selkirk Metalbestos™ Direct Chimney System - 5" x 8"
- Ameri-Vent™ Direct Chimney System - 5" x 8"
- Metal Fab™ 5" x 8"
- Security™ 5" x 8"
- ICC™ 5" x 8"
- Kozy Heat Flexible #800 series Vent Kits\* - 5" x 8"

IMPORTANT: Kozy Heat Part #800-WPT or #800-WPT2, must be used on ALL Horizontal vent runs.

The included Horizontal Vent Heat Shield must be installed when using a 90° elbow to horizontally position the vent system. This includes corner installation.

**Elbows:** For each additional 90° elbow used after the first elbow, 3' must be subtracted from the maximum venting allowed. For each additional 45° elbow used after the first elbow, 1 $\frac{1}{2}$ ' must be subtracted from the maximum venting allowed.

Note: (2) 45° elbows = (1) 90° elbow.

**Horizontal Terminations: Minimum: 6" Maximum: 25"**

\*30" maximum allowed when using stainless steel pipe

**Vertical Terminations: Minimum: 4' Maximum: 40'**

**Horizontal / Vertical COMBO: 40' = 20'** maximum horizontal / 20' maximum vertical (consult the horizontal & vertical combination venting chart in the installation manual)

## Specifications

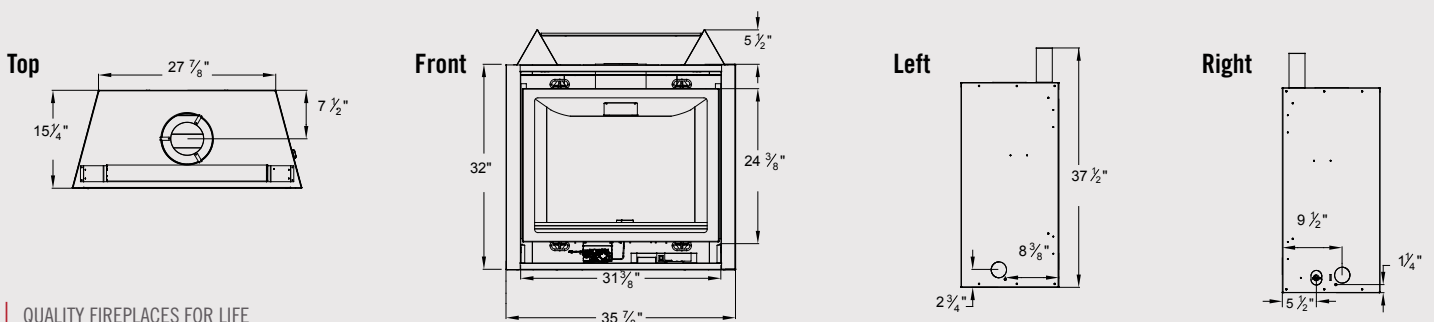
Height	32"
Width	35 7/8"
Back width	27 7/8"
Depth	15 1/4"
Weight	150 lbs.

## Framing Dimensions

Height	37 1/2"
Width	36 3/8"
Depth	15 3/4"

## Clearances

Fireplace face top to framing	5 1/2"
Fireplace left & right sides & back	1/4"
Fireplace bottom to flooring	0"
Fireplace top to ceiling	31"
Fireplace side to adjacent sidewall	1 1/2"
Mantel 4" deep from top of fireplace	16"
Refer to mantel requirements in the fireplace installation manual.	





*Shown w/brushed stainless rectangular frame/face - Copper liquid glass and driftwood/rock media*

## **The Delano...**

The *Delano* offers a broad angle view with dramatic flame. A reflective curved firebox liner, variety of glass media and design options make the *Delano* a perfect choice for contemporary living.

# Slayton Specifications

Shown w/convex frame/face  
Cobalt Blue liquid glass



Model	Fuel Options	High	Low	Max. Efficiency
Slayton 42	NG	42,000	21,000	75%
	LP	42,000	21,000	75%

The Slayton 42 model (Electronic Ignition) comes standard with a decorative black curved firebox lining, remote modulating valve system w/ flame & fan adjustment. (remote control & light kit included)

## Features

- Canada P-4 approved
- Ceramic lifetime glass (17 5/8" X 44 5/16")
- Black enamel firebox lining (curved design)
- Light kit (bottom)
- Remote control - thermostatic (flame, light & fan adjustment)
- High-low regulator
- Engineer-designed burner system
- Minnesota Energy Code Compliant to 50 pascals

## Required for Installation

- Glass media kit (various colors available)

## Safety

- Each unit factory tested!
- Tested by OMNI-Test Laboratories  
Complies with ANSI-Z21.88-2009 • CSA 2.33-2009  
'Vented Gas Fireplace Heaters'
- U.S. & Canadian installation approved
- Sealed combustion chamber
- Removable control board with 30-second safety pilot
- Automatic pressure relief glass system
- Battery back-up
- Bedroom & mobile home approved

## Vent System Approval & Requirements

**This fireplace is manufactured to accept 5" x 8" pipe only.**

- Simpson Dura-Vent™ DV-PRO pipe - 5" x 8"
- Selkirk Metalbestos™ direct chimney system - 5" x 8"
- Ameri-Vent/American Metal™ direct chimney system - 5" x 8"
- Metal Fab™ 5" x 8"
- Security™ 5" x 8"
- ICC™ 5" x 8"
- Kozy Heat™ flexible #800 series vent kits\* - 5" x 8"
- BDM™ direct vent chimney system - 5" x 8"
- RLT™ direct vent chimney system (vertical only) - 5" x 8"

**IMPORTANT:** Kozy Heat part #800-WPT or #800-WPT2, must be used on ALL horizontal vent runs.

The horizontal heat shield included with this fireplace must be installed when incorporating minimum horizontal venting.

**Elbows:** For each additional 90° elbow used after the first elbow, 3' must be subtracted from the maximum venting allowed. For each additional 45° elbow used after the first elbow, 1 1/2' must be subtracted from the maximum venting allowed.

*Note: (2) 45° elbows = (1) 90° elbow.*

**Horizontal Terminations:** Venting configurations vary between NG & LP Gas, please consult the Slayton 42 installation manual for requirements.

**Vertical Terminations:** Minimum: 2' Maximum: 50'

**Horizontal/Vertical Combo:** Venting configurations vary between NG & LP Gas, please consult the Slayton 42 installation manual for requirements.

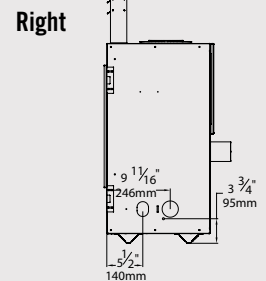
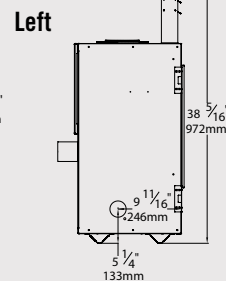
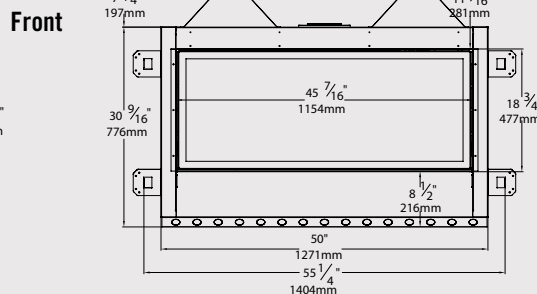
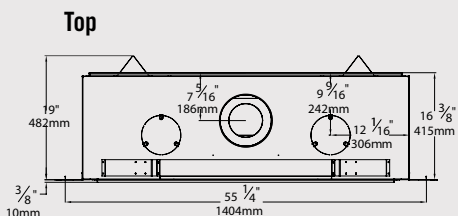
## Framing Dimensions

- Please refer to the Slayton 42 installation manual.

Specifications	
Height	30 9/16"
Width	50"
Back width	50"
Depth	16 3/8"
Weight	220 lbs.

Clearances	
Top of unit face to framing	7 3/4"
From unit left & right side stand-offs	0"
From unit back stand-offs	0"
From bottom stand-offs	0"
Unit top to ceiling	31"
Side of finishing edge to adjacent sidewall	6"
Unit front to combustibles	36"
Mantel 9" deep from fireplace finishing edge*	10 3/4"

\*Refer to mantel requirements in the fireplace installation manual.



Shown w/rectangular brushed stainless frame/face  
driftwood/rock media - H2O liquid glass



## The Slayton...

Our contemporary series offers affordable elegance that combines innovation and design with function and efficiency. The *Slayton* linear fireplace offers a sleek modern design that will revolutionize your contemporary design ideas. A variety of media choices, accent lighting, enamel firebox lining, and dancing flames will make the *Slayton* a stunning addition to your home.

# Fireplace Options & Accessories

## Contemporary Frame/Face Finishes Rectangular or Convex

### Nicollet



Black w/Cobalt Blue liquid glass



Titanium w/White Frost liquid glass



Rust w/H2O liquid glass



Brushed Stainless w/Cobalt Blue liquid glass w/optional brushed stainless firebox lining

## Glass Media



Cobalt Blue



H2O



Black



White Frost



Copper

## Slayton



Convex black frame (51-13/16" w x 25-3/16" h) Cobalt Blue liquid glass



Convex rust - H2O shown w/optional driftwood logs



Rectangular brushed stainless (49-1/2" w x 22-11/16" h) H2O liquid glass and driftwood/rock accent media



Rectangular titanium - Cobalt Blue shown w/optional rock accent media

### Delano



Shown w/optional flame accent media



Shown w/optional driftwood/rock accent media



Driftwood/rock Media

## Lighting Features



Flame, lights & fan controlled by the full function remote

## Kozy Heat Product Line



Woodburning Fireplaces



Classic DV Gas Fireplaces



Traditional DV Gas Fireplaces



Contemporary Gas Fireplaces



Gas Inserts



Free-Standing Gas Stove



Handcrafted Cabinetry

In order to continually provide the highest quality product available, features/options, specifications & dimensions are subject to change. Refer to the unit installation manual for complete installation instructions. Installation must conform with local building codes. **In some regions it may be possible that this appliance qualifies for an energy rebate. See your local dealer for details regarding promotions and qualifications.**

Manufactured by Hussong Mfg. Co. Inc.  
204 Industrial Park Drive, Lakefield, MN 56150  
Phone 1-800-253-4904 www.kozyheat.com

9-13



For complete information on the Kozy Heat product line, please contact us at: