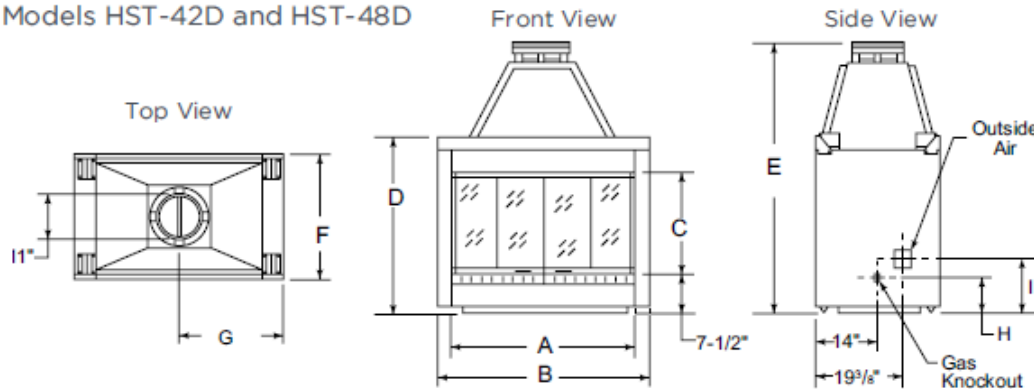


HST SEE-THROUGH SPECIFICATIONS

MODEL	FRONT WIDTH		BACK WIDTH		FRONT HEIGHT		REAR HEIGHT		DEPTH		FIREBOX OPENING
	UNIT	FRAMING	UNIT	FRAMING	UNIT	FRAMING	UNIT	FRAMING	UNIT	FRAMING	
HST-42D	40	41	40	41	41-1/2	41-3/4	41-1/2	41-3/4	24	23	36 X 21
HST-48D	47	48	47	48	39-1/4	39-3/4	39-1/4	39-3/4	28	27	42 X 23

Models HST-42D and HST-48D



MODEL	DIMENSION								
	A	B	C	D	E	F	G	H	I
HST-42D	36	40	20-7/8	35	47-1/4	24	20	8-1/4	9-5/8
HST-48D	42	47	23	39-1/8	58-7/8	28	23-1/2	8-3/8	11-3/4

Dimensions above are in inches. Reference dimensions only. We recommend measuring individual units at installation. Assumes the use of 1/2" Sheetrock. NOTE: Non-combustible material is allowed over this dimension. Make sure you do NOT cover the decorative door opening.

Refer to installation manual for detailed specifications on installing this product. Heat & Glo reserves the right to update units periodically. Actual product appearance, including flame, may differ from product images.