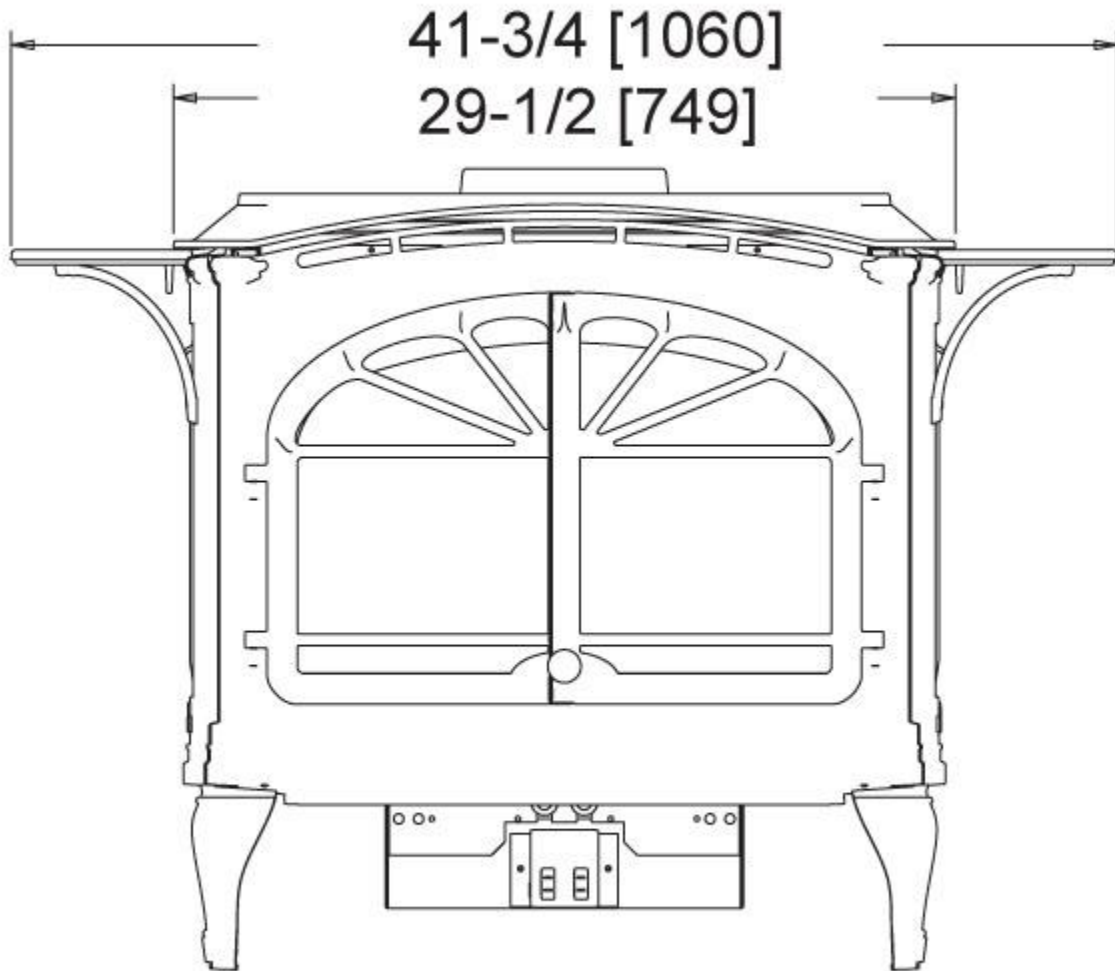


Model	Front Width	Back Width	Width	Height	Depth	Glass Size	BTU/Hour Input
TIARA II	41-3/4	41-3/4	29-1/4	22-1/4	14 x 13-1/4	38,500	

Specification Details



Efficiencies

Model	Steady State	AFUE	Canada	EnerGuide
TIARA II	81.4%	64.9%	61.0%	

Btus will vary depending on the type of fuel used. The flame and ember appearance may vary based on the type of fuel burned and the venting configuration used. Actual product appearance, including flame may differ from image shown. Refer to the Owner's Manual for complete clearance requirements and specifications. Product specifications and pricing subject to change without notice. For testing and listing information please refer to the owners/installation manual.

*For select products: Heating capacity represents a well-insulated home with low ceilings in a mild climate. Heating capacity (in square footage) is a guideline only and may differ slightly due to climate, building construction and condition, amount and quality of insulation, location of the heater, and air movement in the room.