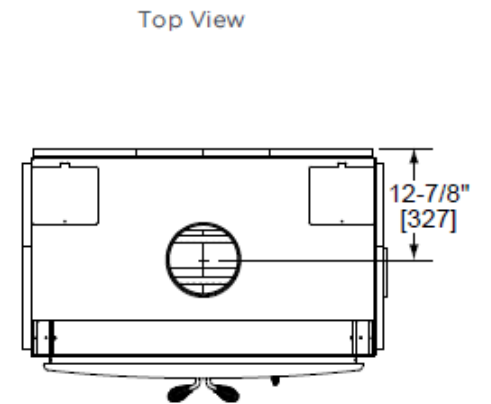
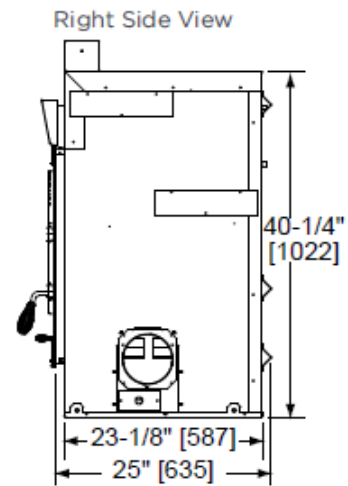
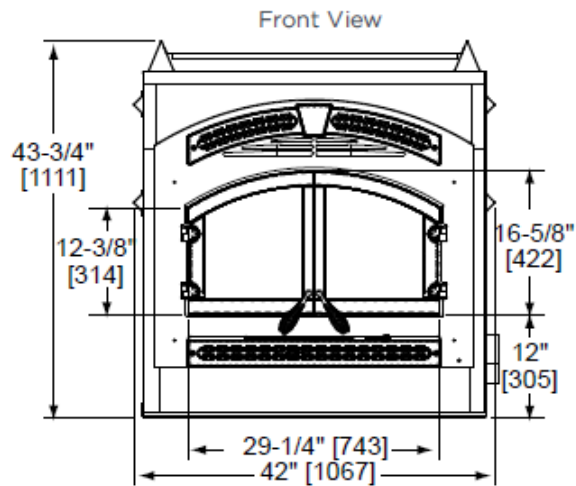


NORTHSTAR SPECIFICATIONS

MODEL	FRONT WIDTH		BACK WIDTH		FRONT HEIGHT		REAR HEIGHT		DEPTH		FIREBOX OPENING
	Unit	Framing	Unit	Framing	Unit	Framing	Unit	Framing	Unit	Framing	
Northstar*	40	42	40	42	43-13/16	43-7/8	43-13/16	43-7/8	23-1/8	24	272 sq. in.



*Tested to EPA Phase II Standards, the Northstar fireplace meets the strictest environmental standards for wood-burning fireplaces and can be used in areas where conventional wood-burning appliances are restricted or banned.