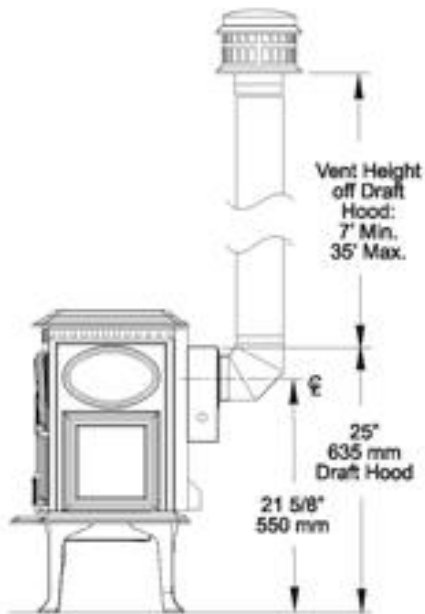


Technical data for Jøtul GF 300 BV Allagash



Jøtul GF 300 BV Allagash

- BTU range (B-Vent): 26,000 Max BTU input - 13,500 Low output
- Efficiency: Up to 86% Steady State (A.F.U.E. 73%)
- Heating capacity: Up to 1,300 sq.ft
- Finish options: Matte Black paint or Majolica Brown enamel
- Flue outlet: B-Vent (Rear) Direct Vent (Rear, Top)
- Gas types: Natural Gas, LP
- Accessories: Antique brick panel kit, Wall thermostat, Remote control, Floor bracket kit (for mobile home installations), Top plate filler (B-vent only), Screen for open door fire viewing, Variable speed blower fan kit, Leg leveler kit and Short leg kit

Jøtul has a policy of constant improvement and upgrading. Products therefore may differ in specification, design, material or dimensions at any time without prior notice.