



INSTALLATION MANUAL

MINNEAPOLIS

Model: #MPS-30

DIRECT VENT FIREPLACE INSERT

IMPORTANT: This installation manual is to be used in conjunction with SUPPLEMENTAL INSTALLATION AND HOMEOWNER INFORMATION MANUAL. Read both manuals before installing and operating appliance.

INSTALLER: Leave this manual with the appliance.
CONSUMER: Retain this manual for future reference.

English and French Installation Manuals Available Through Your Local Dealer or Visit Our Website at www.kozyheat.com

This appliance may be installed in an aftermarket permanently located, manufactured home (USA only) or mobile home, where not prohibited by local codes.

This appliance is only for use with the type of gas indicated on the rating plate. This appliance is not convertible for use with other gases, unless a certified kit is used.

WARNING: If the information in these instructions is not followed exactly, a fire or explosion may result causing property damage, personal injury or loss of life.

—Do not store or use gasoline or other flammable vapors and liquids in the vicinity of this or any other appliance.

WHAT TO DO IF YOU SMELL GAS:

- Do not try to light any appliance.
- Do not touch any electrical switch: do not use any phone in your building.
- Immediately call gas supplier from a neighbors phone. Follow the gas supplier instructions
- If you cannot reach your gas supplier, call the fire department.

—Installation and service must be performed by a qualified installer, service agency or the gas supplier.



WARNING



**HOT GLASS WILL CAUSE BURNS.
 DO NOT TOUCH GLASS UNTIL COOLED.
 NEVER ALLOW CHILDREN TO TOUCH GLASS.**



JUNE 2012
 MPS-30 REV-07

INTRODUCTION

Read this manual before installing or operating this appliance.
Please retain this owner's manual for future reference.

CONGRATULATIONS!

We welcome you as a new owner of a Kozy Heat gas fireplace. Kozy Heat products are designed with superior components and materials and assembled by trained craftsmen who take pride in their work. The burner and valve assembly are 100% test-fired and the complete fireplace is thoroughly inspected before packaging to ensure that you receive a quality product. Our commitment to quality and customer satisfaction have remained the same for over 30 years. We offer a complete line of gas and wood fireplaces, unique cabinets and stylish accessories to compliment any décor. Adding a fireplace is one of the best ways to increase the value of your home and we are proud to offer a network of dealers throughout the country to help make your experience everything you imagine. We pride ourselves in being dedicated to not only function and reliability, but customer safety as well. We offer our continual support and guidance to help you achieve the maximum benefit and enjoyment from your Kozy Heat gas fireplace.

Jim Hussong
President



Dudley Hussong
Board Chairman



Homeowner Reference Information

We recommend that you record the following information about your fireplace.

Model Name: _____ Date purchased/installed: _____

Serial Number: _____ Location on fireplace: _____

Dealership purchased from: _____ Dealer Phone: _____

Notes: _____

TABLE OF CONTENTS

<u>INTRODUCTION</u>	
Introduction and Homeowner Reference Information	1
<u>CONTENTS</u>	
Table of Contents	2
<u>SAFETY INFORMATION</u>	
Safety Information	3
<u>COMMONWEALTH OF MASSACHUSETTS INFORMATION</u>	
Commonwealth of Massachusetts Information	4
<u>SPECIFICATIONS</u>	
Fireplace Dimensions	5
Parts Diagram	5
Minimum Clearances to Combustibles	6
Additional Components Required	7
Placement Clearance Requirements	7
<u>EXISTING FIREPLACE SPECIFICATIONS</u>	
Existing Fireplace Requirements	7
<u>PREPARE EXISTING FIREPLACE</u>	
Existing Fireplace Minimum Opening Requirements	8
Prepare Existing Fireplace	8
<u>ELECTRICAL WIRING</u>	
Electrical Wiring	8
<u>MANUAL SHUT-OFF VALVE</u>	
Manual Shut-off Valve	8
<u>GAS LINE CONNECTION</u>	
Gas Line Connection	9
<u>GLASS FRAME ASSEMBLY / SCREEN FRONT</u>	
Glass Frame Assembly / Screen Front Removal & Installation	10
<u>INSTALLATION</u>	
Approved Venting	10
Combustion Air Venting Options	10
Air Duct Removal	11
Kozy Heat #816-CL Co-Linear Vent System	11
Run Vent System Through Existing Chimney	12
Connect Vent System to Air Duct	13
<u>SHROUD INSTALLATION</u>	
Shroud Installation	13

<u>GLASS MEDIA INSTALLATION</u>	
Glass Media Installation	14
<u>FINALIZING THE INSTALLATION</u>	
Flame Appearance	15
To Adjust Venturi	15
<u>MAINTENANCE</u>	
Maintenance	16
<u>WARRANTY</u>	
Warranty	17-18

SAFETY INFORMATION

This fireplace has been tested by OMNI-Test Laboratories, Portland, Oregon and complies with:

ANSI Z21.88-2009/CSA 2.33-2009, "Standard for Vented Gas Fireplace Heaters".
CAN/CGA 2.17-M91 (R2009), "Gas-Fired Appliances for Use at High Altitudes".
CAN/CSA P.4.1-09, "Testing Method for Measuring Annual Efficiency".

This installation must conform with local codes, or in the absence of local codes, with the *National Fuel Gas Code, ANSI Z223.1/NFPA 54*, or the *Natural Gas and Propane Installation Code, CSA B149.1*

- Installation and repair should be done only by a qualified service person. The appliance should be inspected by a qualified service person before use. Annual inspection by a qualified service person is required to maintain warranty. More frequent cleaning may be required due to excessive lint from carpeting, bedding materials, etc. It is imperative that control compartments, burners and circulation air passageways of the appliance be kept clean.
- If this appliance is installed directly on carpeting, tile or other combustible material other than wood flooring, the appliance shall be installed on a metal or wood panel extending the full width and depth of the appliance.
- Children and adults should be alerted to the hazards of high surface temperatures and should stay away to avoid burns or clothing ignition.
- Young children should be carefully supervised when they are in the same room as the appliance. Toddlers, young children and others may be susceptible to accidental contact burns. A physical barrier is recommended if there are at risk individuals in the house. To restrict access to a fireplace or stove, install an adjustable safety gate to keep toddlers, young children and other at risk individuals out of the room and away from hot surfaces.
- Clothing or other flammable material should not be placed on or near the appliance.
- Adequate accessibility clearances for servicing and proper operation must be maintained.
- This appliance must not share or be connected to a chimney flue serving any other appliance.
- Keep area around the appliance clear of combustible materials, gasoline and other flammable vapor and liquids.
- The flow of combustion and ventilation air must not be obstructed.
- Due to high temperatures the appliance should be located out of traffic and away from furniture and draperies.
- The glass front or any part removed for servicing the appliance must be replaced prior to operating the appliance. Work should be done by a qualified service technician.
- Clean glass only when cool and only with non-abrasive cleansers.
- **WARNING: DO NOT OPERATE APPLIANCE WITH THE GLASS/FRAME ASSEMBLY REMOVED, CRACKED OR BROKEN. REPLACEMENT OF THE GLASS SHOULD ONLY BE PERFORMED BY A LICENSED OR QUALIFIED SERVICE PERSON.**
- The glass assembly, Part #JOR-057T, shall only be replaced as a complete unit, as supplied by Hussong Mfg. Co., Inc. DO NOT SUBSTITUTE MATERIALS.
- Do not strike or slam glass assembly.
- Any safety screen or guard removed for servicing the appliance must be replaced prior to operating the appliance.
- Under no circumstances should any solid fuel (wood, coal, paper or cardboard etc.) be used in this appliance.
- Keep burner and control compartment clean.
- Do not use this fireplace if any part has been under water. Immediately call a qualified service technician to inspect this appliance and to replace any part of the control system and any gas control which has been under water.

COMMONWEALTH OF MASSACHUSETTS REQUIREMENTS

NOTE

The following requirements reference various Massachusetts and national codes not contained in this manual.

For all sidewall horizontally vented gas fueled equipment installed in every dwelling, building or structure used in whole or in part for residential purposes, including those owned or operated by the Commonwealth and where the side wall exhaust vent termination is less than (7) feet above finished grade in the area of the venting, including but not limited to decks and porches, the following requirements shall be satisfied:

INSTALLATION OF CARBON MONOXIDE DETECTORS

At time of installation of side wall horizontally vented gas fueled equipment, the installing plumber or gas-fitter shall observe that a hard wired carbon monoxide detector with an alarm and battery back-up is installed on the floor level where the gas equipment is to be installed. In addition, the installing plumber or gas-fitter shall observe that a battery operated or hard wired carbon monoxide detector is installed on each additional level of the dwelling, building or structure served by the side wall horizontal vented gas fueled equipment. It shall be the responsibility of the property owner to secure the services of qualified licensed professionals for the installation of hard wired carbon monoxide detectors

In the event that the side wall horizontally vented gas fueled equipment is installed in a crawl space or attic, the hard wired carbon monoxide detector with alarm and battery back-up may be installed on the next adjacent floor level.

In the event that the requirements of this subdivision can not be met at the time of completion of installation, the owner shall have a period of thirty (30) days to comply with the above requirements; provided, however, that during said thirty (30) day period, a battery operated carbon monoxide detector with an alarm shall be installed.

APPROVED CARBON MONOXIDE DETECTORS

Each carbon monoxide detector as required in accordance with the above provisions shall comply with NFPA 720 and be ANSI/UL 2034 listed and IAS certified.

SIGNAGE

A metal or plastic identification plate shall be permanently mounted to the exterior of the building at a minimum of eight (8) feet above grade directly in line with the exhaust vent terminal for the horizontally vented gas fueled heating appliance or equipment. The sign shall read, in print no less the one-half inch (1/2) in size, "GAS VENT DIRECTLY BELOW. KEEP CLEAR OF ALL OBSTRUCTIONS".

INSPECTION

The state or local gas inspector of the side wall horizontally vented gas fueled equipment shall not approve the installation unless, upon inspection, the inspector observes carbon monoxide detectors and signage installed in accordance with the provisions of 248 CMR 5.08 (2) (a) 1 through 4.

EXEMPTIONS

The following equipment is exempt from 248 CMR 5.08 (2) (a) 1 through 4: The equipment listed in Chapter 10 entitled "Equipment Not Required To Be Vented" in the most current edition of NFPA 54 as adopted by the Board; and Product Approved side wall horizontally vented gas fueled equipment installed in a room or structure separate from the dwelling, building or structure used in whole or in part for residential purposes.

MANUFACTURER REQUIREMENTS - GAS EQUIPMENT VENTING SYSTEM PROVIDED

When the manufacturer of Product Approved side wall horizontally vented gas equipment provides a venting system design or venting system components with the equipment, the instructions provided by the manufacturer for installation of the equipment and the venting system shall include:

Detailed instructions for the installation of the venting system design or the venting system components; and

A complete parts list for the venting system design or venting system.

MANUFACTURER REQUIREMENTS - GAS EQUIPMENT VENTING SYSTEM NOT PROVIDED

When the manufacturer of Product Approved side wall horizontally vented gas equipment does not provide the parts for venting the flue gases, but identifies "special venting systems", the following requirements shall be satisfied by the manufacturer:

The referenced "special venting systems" instructions shall be included with the appliance or equipment installation instructions and;

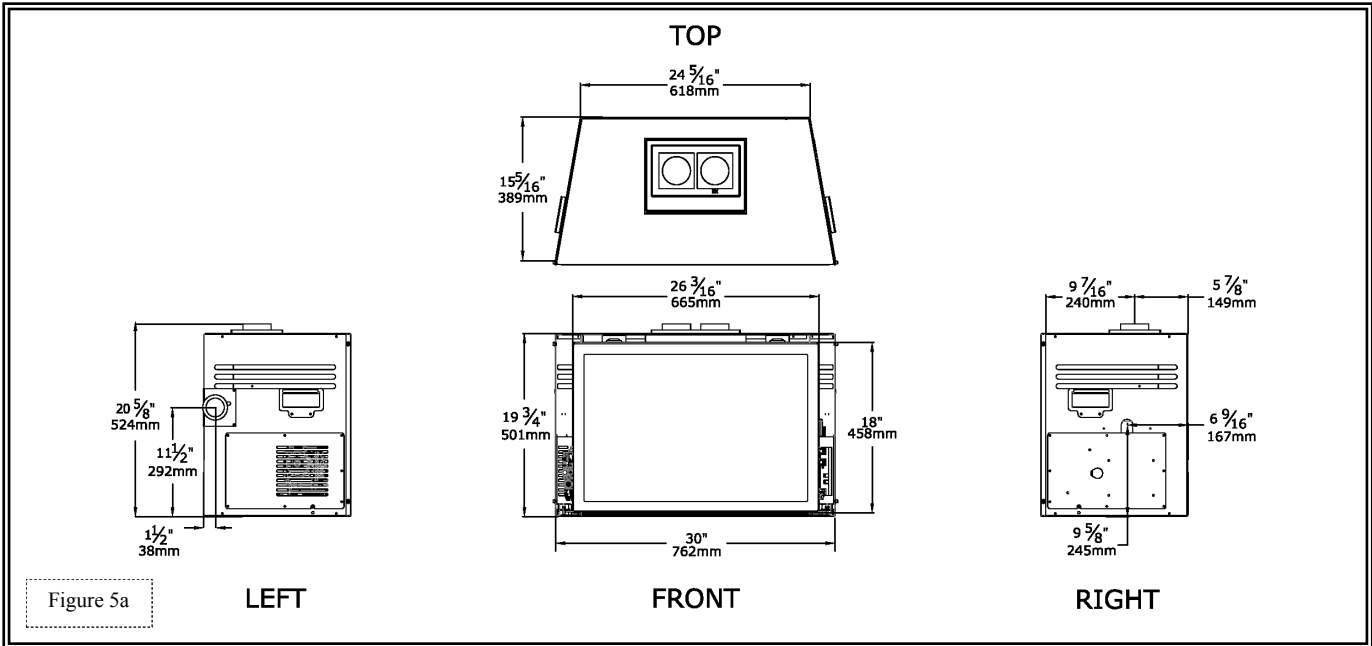
The "special venting systems" shall be Product Approved by the Board, and the instructions for that system shall include a parts list and detailed installation instructions.

A copy of all installation instructions for all Product Approved side wall horizontally vented gas fueled equipment, all venting instructions, all parts lists for venting instructions, and/or all venting design instructions shall remain with the appliance or equipment at the completion of the installation.

SPECIFICATIONS

FIREPLACE DIMENSIONS

	DESCRIPTION	Height	Width	Back Width	Depth	Height to Air Chute Top	Back to Elec. Access	Back to Gas Line Access	Front to Vent Center	Back to Vent Center
FIREPLACE DIMENSIONS	INCHES	19-3/4	30	24-5/16	15-1/2	20-5/8	6-9/16	1-1/2	9-7/16	5-7/8
	MILLIMETERS	501	762	618	394	524	167	38	240	149

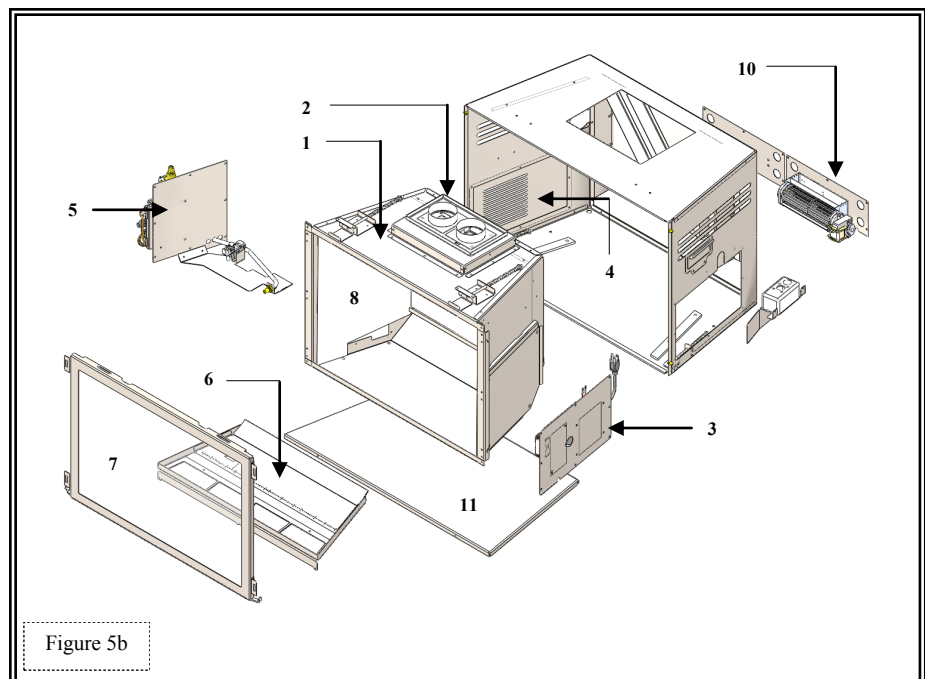


PARTS DIAGRAM

WARNING

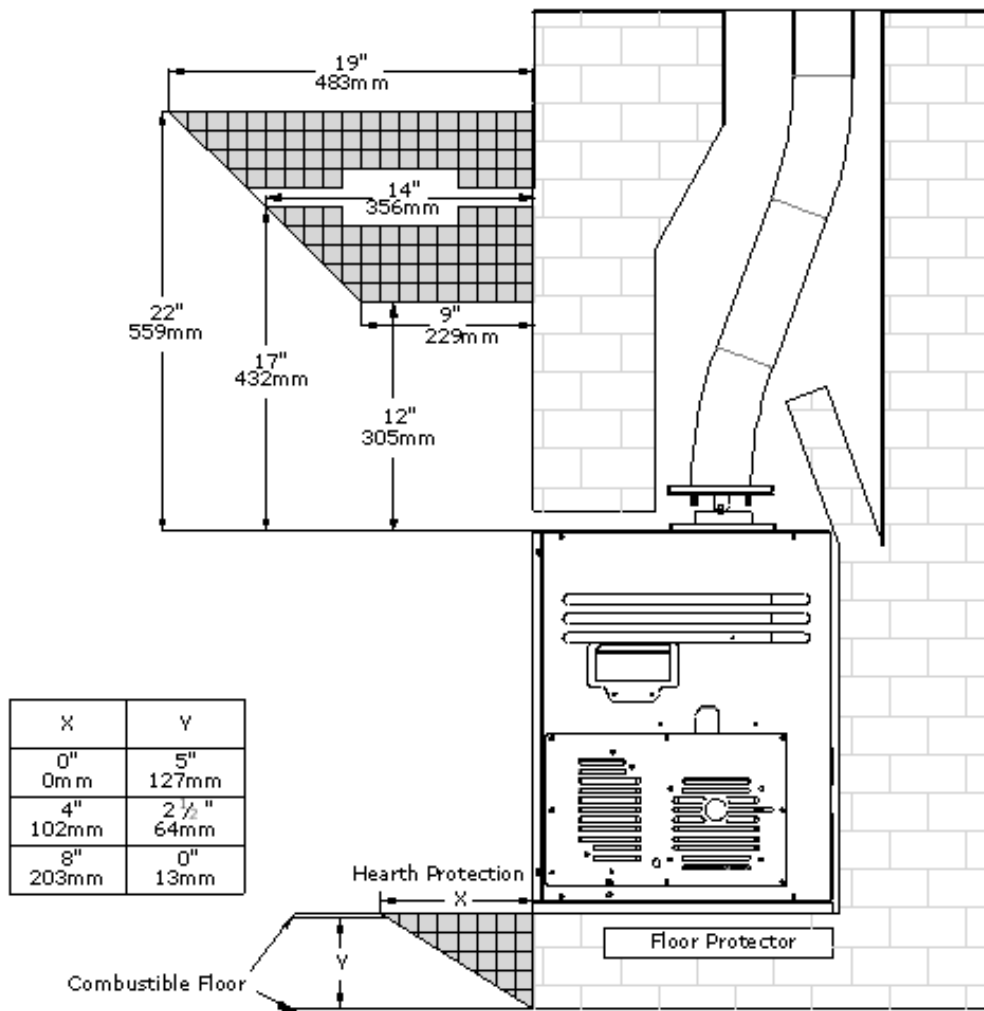
Failure to position components in accordance with these diagrams or failure to use only parts specifically approved for use with MPS-30 may result in property damage or personal injury.

1. Fireplace insert
2. Air chute
3. Module panel assembly
4. Valve access panel
5. Control board assembly
6. Burner
7. Glass frame assembly
8. Firebox liner
9. Black glass media kit (not shown)
10. Fan kit
11. Floor Protector Kit (sold separately).



SPECIFICATIONS

MINIMUM CLEARANCES TO COMBUSTIBLES



WARNING

Hearth protection chart above shows minimum clearances from top surface of combustible flooring (carpeting, tile, etc.). These clearances must be maintained.

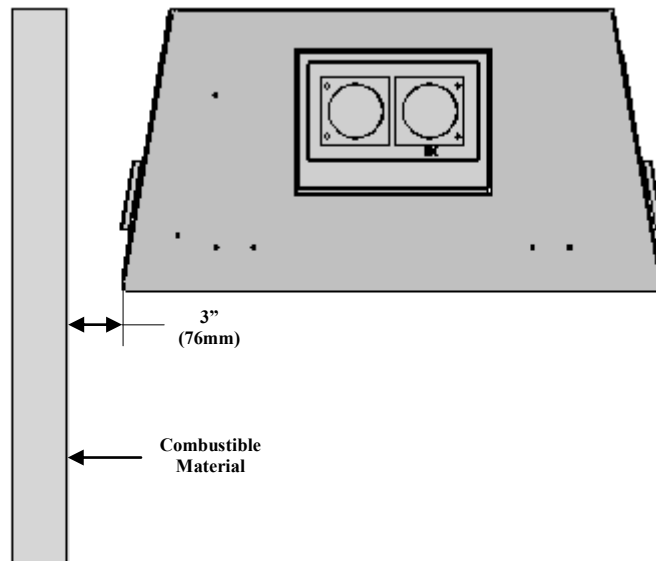


Figure 6a

SPECIFICATIONS

ADDITIONAL COMPONENTS REQUIRED

Vent System: Part #816-CL: For use with minimum 6" x 8" I.D. masonry or 7" I.D. Class A metal chimneys - Includes 12ft. (3.66m) compressed, expandable to 35ft. (10.67m) co-linear 3" x 3" flexible chimney, and termination cap.

Other approved venting: ICC, Selkirk, American Metals, Simpson Dura-Vent, RLH, Security, Metal Fab
Approved caps listed on page 10.

Shrouds: Standard shrouds are available for this insert and will fit most applications. Custom shrouds may be ordered on a non-returnable basis. When ordering a custom shroud, please specify the existing fireplace front opening height and width.

Blank Shrouds: Blank shrouds are available for on-site custom fit applications and are sized to the opening after the insert has been installed. The interior perimeter is properly sized to fit onto the insert. The outer perimeter must be cut, formed and finished (painted).

or

To be used with:

Screen Front: Screen Fronts in various finishes.

PLACEMENT CLEARANCE REQUIREMENTS

- This fireplace must be installed on a level surface capable of supporting the fireplace and venting.
- This fireplace insert is to be installed into a solid fuel masonry or factory built non-combustible fireplace that has been installed in accordance with the National, Provincial, State and local building codes.
- Due to high surface temperatures, fireplace should be located out of traffic and away from furniture and draperies.
- This fireplace may be installed in a bedroom.
- Please be aware of the large amount of heat this fireplace will produce when determining a location.

EXISTING FIREPLACE SPECIFICATIONS

THIS INSERT IS APPROVED FOR INSTALLATION IN MASONRY AND FACTORY-BUILT SOLID FUEL BURNING FIREPLACES.

EXISTING FIREPLACE REQUIREMENTS

The existing fireplace & chimney must be clean and in good working order and constructed of non-combustible materials.

A gas line must be able to be installed to the insert.

Provisions made to provide electrical power for operation.

Any chimney clean-outs must fit properly.

Existing Chimney must be comprised of one of the following: Factory built solid fuel chimney: 7" minimum inside diameter.

Masonry chimney: 6" x 8" minimum inside diameter.

Existing Chimney Height: Minimum: 10ft. (3.05m)
Maximum: 35ft. (10.67m)

DETERMINE LENGTH OF EXISTING CHIMNEY

1. Remove and discard existing chimney cap.

NOTE

It is helpful to have two people complete next step to determine chimney height.

2. Position one person at fireplace and another person at top of chimney.
Measure from fireplace base to top of chimney.
Subtract 19-3/4" (501mm) (height of insert).
This is the total length of co-linear flexible aluminum you will require.

MEASUREMENT FROM FIREPLACE BASE TO TOP OF CHIMNEY: _____
LESS 19-3/4" (501mm) (HEIGHT OF INSERT): -19-3/4" (501mm)
TOTAL CHIMNEY LENGTH REQUIRED: _____

CAUTION

This appliance must not be connected to or joined with any other chimney flue serving another appliance.

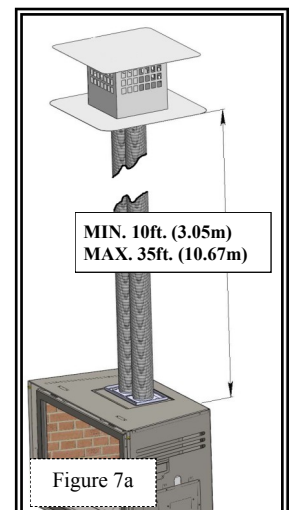


Figure 7a

PREPARE EXISTING FIREPLACE

EXISTING FIREPLACE MINIMUM OPENING REQUIREMENTS

A	Height	20-5/8" (524mm)
B	Front Width	30-5/16" (770mm)
C	Depth	16" (406mm)
D	Back Width	24-5/16" (618mm)

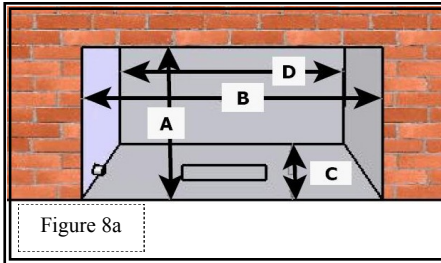


Figure 8a

PREPARE EXISTING FIREPLACE

ATTENTION Any removed parts must be capable of reinstallation if this insert is ever removed (removal of rivets or screws is acceptable).

Any removed parts must be capable of reinstallation if this insert is ever removed (removal of rivets or screws is acceptable). The refractory, glass doors, screen rails, screen mesh and log grates may be removed from existing fireplace before installing this gas fireplace insert. Any smoke shelves, shields and baffles may be removed if attached by mechanical fasteners. If necessary, remove firebrick to obtain at least minimum opening requirements.

The fireplace flue damper can be fully blocked open or removed for installation of this gas fireplace insert. Remove existing chimney cap. Clean chimney and inside of fireplace to prevent creosote smell from entering the home.

Cutting of any sheet metal parts is prohibited, except the metal floor. If metal floor is removed, the insert must be placed directly on metal base of metal fireplace. If using this method, **Kozy Heat Floor Protector Kit (#JOR-FLP)** must be used, and leveling bolts (provided) must be installed in insert bottom, providing 1/2" (13mm) required clearance to floor protector.

Mechanically attach 'THIS UNIT HAS BEEN MODIFIED' label at bottom of existing firebox so it will be visible if this gas fireplace insert is removed.

CAUTION Trim panels or surrounds must not seal ventilation openings in existing fireplace that this appliance is installed in.

ELECTRICAL WIRING

This fireplace insert comes complete with a fan kit already installed.

ATTENTION Electrical wiring must be installed by a licensed electrician. This appliance must be electrically wired and grounded in accordance with local codes or, in the absence of local codes, with Nation Electric Code, ANSI/NFPA 70-latest edition, or the Canadian Electric Code, CSA C22.1

WARNING This appliance is equipped with a three-prong (grounding) plug for protection against shock hazard and should be plugged directly into a properly grounded three-prong receptacle. Do not cut or remove grounding prong from this plug. Do not allow excess cord to touch fireplace.

MANUAL SHUT-OFF VALVE

The manual shut-off valve is located on left side wall of insert. Use glass latch attachment tool (included in components packet) to open or close valve.

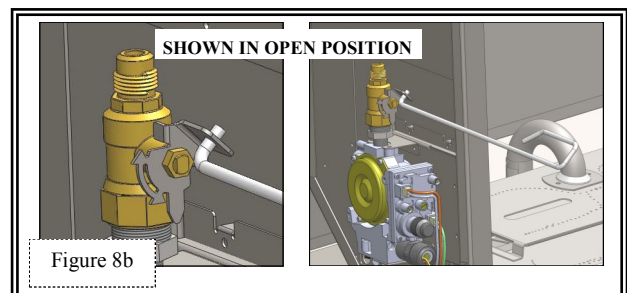


Figure 8b

GAS LINE CONNECTION

GAS CONVERSION

IMPORTANT This fireplace is NAT gas ready. If converting to LP gas, do so now before installing into existing fireplace.

ATTENTION The conversion shall be carried out in accordance with the requirements of the provincial authorities having jurisdiction and in accordance with the requirements of the ANSI Z223.1 installation code.

CAUTION Installation of the gas line must only be done by a qualified person in accordance with local building codes, if any. If not, follow ANSI 223.1.
Commonwealth of Massachusetts: Installation must be done by a licensed plumber of gas fitter.

NOTE A listed (and Commonwealth of Massachusetts approved) 1/2" (13mm) T-handle manual shut-off valve and flexible gas connector (included) are connected to the 1/2" (13mm) control valve inlet. If substituting for these components, please consult local codes for compliance.

This fireplace is equipped with a 3/8"(10mm) x 18" (457mm) long flexible gas connector and manual shut-off valve. The gas line should be run to the point of connection where the shut-off valve and flexible gas line will connect.

The appliance and its individual shutoff valve must be disconnected from the gas supply piping system during any pressure testing of that system at pressures in excess of 1/2 psi (3.5 kPa).

The appliance must be isolated from the gas supply piping system by closing its individual manual shut-off valve during any pressure testing of the gas line at test pressures equal to or less than 1/2 psi (3.5 kPa).

For high altitude installations, consult the local gas distributor or the authority having jurisdiction for proper rating methods.

IMPORTANT The efficiency rating of this appliance is a product of thermal efficiency rating determined under continuous operating conditions and was determined independently of any installed system.

	<u>NATURAL GAS</u>	<u>LP GAS</u>
MINIMUM INLET GAS PRESSURE	5" WC (1.25 kPa) (7" WC (1.74 kPa) (recommended)	11" WC (2.74 kPa) (recommended)
MAXIMUM INLET GAS PRESSURE	10.5" WC (2.62 kPa)	13" WC (3.24 kPa)

Run gas line through left gas line access hole at back corners of insert. For your convenience, access hole may be removed and rotated to accommodate side gas line installation.

NOTE If installing this gas fireplace insert into a factory-built fireplace and the factory-built fireplace has no access hole provided, an access hole of 1-1/2"(38mm) or less may be drilled through the lower sides or bottom of the firebox in a proper workmanship like manner. This access hole must be plugged with non-combustible insulation after the gas supply line has been installed.

GLASS FRAME / SCREEN FRONT

WARNING

DO NOT OPERATE THIS FIREPLACE WITH GLASS REMOVED, CRACKED OR BROKEN. REPLACEMENT OF GLASS FRAME ASSEMBLY, #JOR-057T SHOULD BE DONE BY A LICENSED OR QUALIFIED SERVICE PERSON.

DO NOT REMOVE THESE COMPONENTS WHEN HOT!

REMOVE GLASS FRAME ASSEMBLY

- Locate spring-loaded latches securing glass frame assembly at bottom of firebox.
- Using glass latch tool (included in components packet) pull bottom latches out and up to release glass frame assembly latch tabs.
- Lift glass frame assembly up off tabs located at top of firebox.

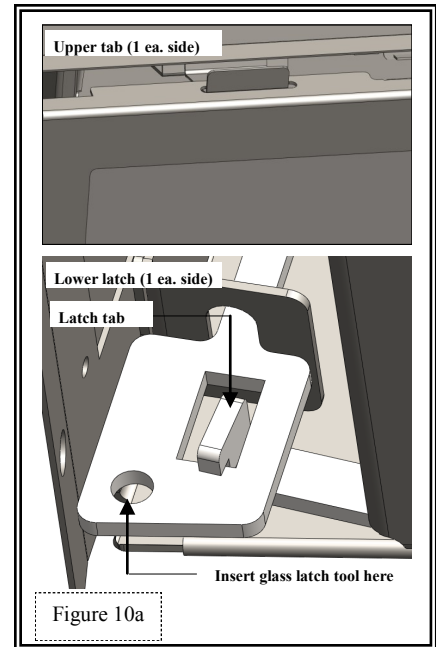
INSTALL GLASS FRAME ASSEMBLY

- Make certain bottom latches are pushed down to allow for easier installation.
- Align slots at top of glass frame assembly over tabs at top of firebox while lowering bottom of glass frame assembly into position.
- Using glass latch tool, pull latches out and down over latch tabs to secure glass frame assembly bottom.

SCREEN FRONT (sold separately)

To install: Align tabs on back of frame with slots on insert, set into position.

To remove: Lift frame up and out of slots.



INSTALLATION

ATTENTION

All steps as outlined in 'PREPARE EXISTING FIREPLACE' must be completed before continuing with this installation.

Follow instructions from vent pipe manufacturer as well as venting requirements as outlined in this installation manual.

APPROVED VENTING

MANUFACTURER	APPROVED CAPS
Kozy Heat	816-CL Vent System
ICC	TM-IVT
	TM-SVT
Selkirk	4DT-VC
American Metals	4DVC
Simpson Dura-Vent	46DVA-VCH
Security	3PDVCV
Metal Fab	4DVT
RLH	HS-C33U99
	HS-C33F1313
	HS-CD3333-1313

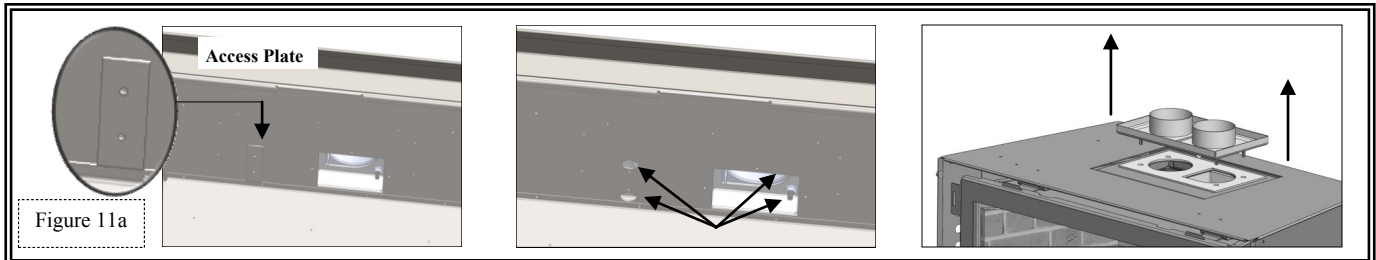
COMBUSTION AIR VENTING OPTIONS

- OPTION 1: FULL CONNECTION: Combustion air intake pipe is run entire chimney length and connected to termination cap.
- OPTION 2: STUB VENTING: Combustion air intake pipe is extended a minimum of 4ft. (1.22m) past damper opening into existing chimney. It is not connected to termination cap.

INSTALLATION

AIR DUCT REMOVAL

1. Remove refractory panels (secured at top with clips - 1 ea. side).
2. Remove (3) screws securing baffle to firebox back wall. Pull baffle forward and down to remove.
3. Remove access plate (secured with (2) screws) from firebox ceiling.
4. Locate and remove nuts securing air duct top to firebox; 2 nuts reached through access holes, 2 inside air duct.
5. Remove air duct top.



KOZY HEAT #816-CL CO-LINEAR VENT SYSTEM

The co-linear pipes included in this vent system are designed to extend up to 35ft. (10.67m)

NOTE

IDENTIFICATION: Exhaust Pipe: red marking.

Proper operation of this insert requires exhaust and combustion air pipes be connected to correct collars on termination kit and insert air duct.

- A. Carefully extend exhaust and combustion air intake pipes to equal total chimney length required.

NOTE

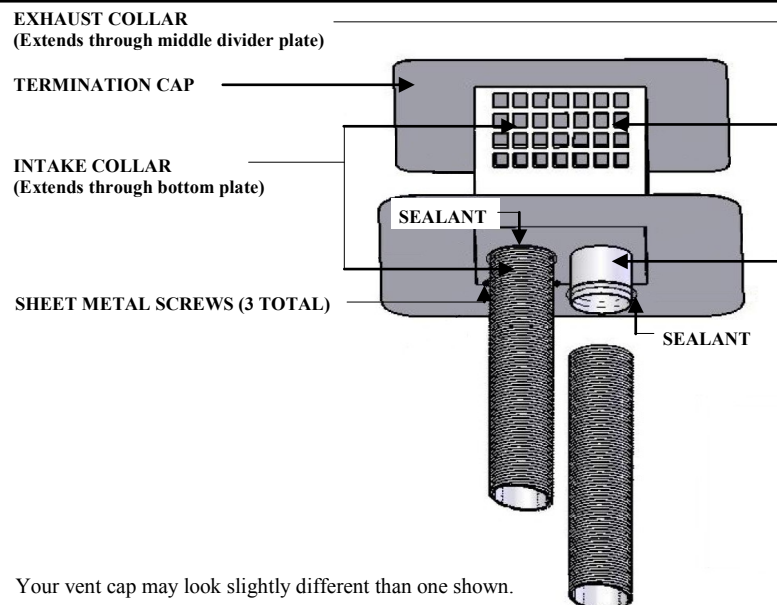
If using stub method for combustion air pipe, extending it is not necessary. Determine length needed from air duct on insert (4ft. (1.22m) minimum) to above damper opening in existing chimney. Remove excess combustion air pipe from end without a collar. Continue with Step B. #2 below.

Full Connection method: Slide intake pipe (end without collar) over termination cap collar. Secure with 3 self-tapping screws (provided).

- B. Place bead of sealant around inner edge at end of exhaust pipe (without collar / red marking) and slide onto corresponding collar on termination cap (collar with label). Secure with 3 self-tapping screws (provided). Apply additional sealant around joint to ensure a proper seal.

IMPORTANT

EXHAUST COLLAR ON FIREPLACE AIR DUCT IS ON RIGHT SIDE. INSTALL TERMINATION CAP WITH EXHAUST COLLAR ON RIGHT SIDE.



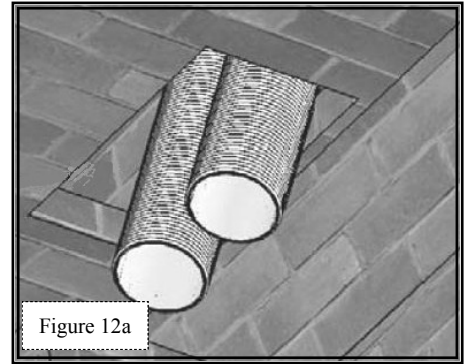
RUN VENT SYSTEM THROUGH EXISTING CHIMNEY

We strongly suggest wrapping first 3ft. (914mm) of vent system below termination cap with non-faced fiberglass insulation (secure with wire) before running it through existing chimney. This will prevent cold air from coming down existing chimney.

DO NOT USE THIS METHOD IF YOU ARE STUBBING COMBUSTION AIR PIPE FROM BOTTOM OF EXISTING CHIMNEY.

NOTE

If offsets are present in existing chimney, place a weighted rope around pipe ends to guide them through chimney.
DO NOT ATTEMPT TO TIE ONE ROPE AROUND BOTH PIPES.

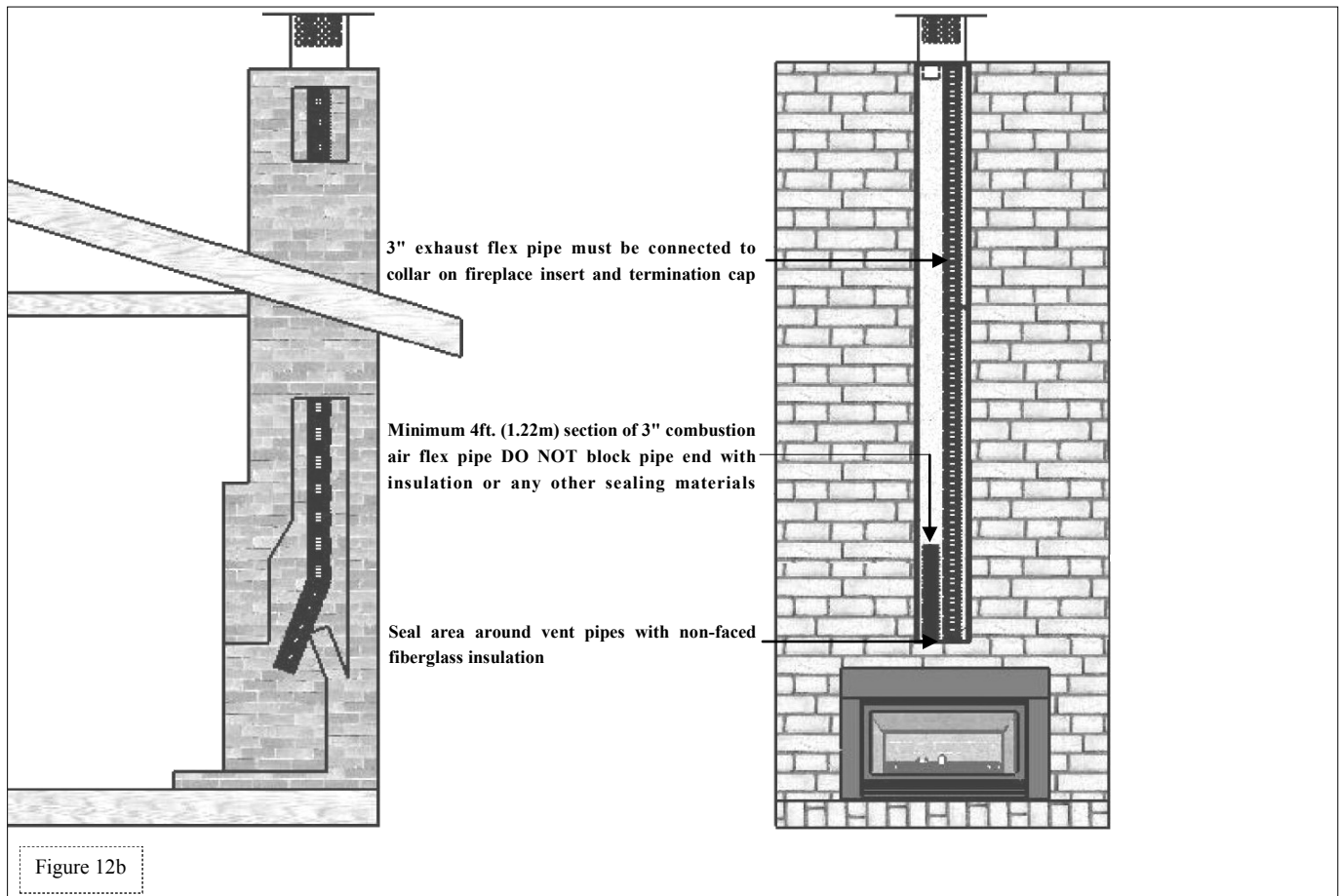


1. Guide rope, if used, and flexible pipe(s) down existing chimney. See illustration at lower left.
2. To secure chimney termination cap to existing chimney, apply a liberal bead of sealant (provided) around top of existing chimney. Set termination cap into position as instructed in installation manual included with chosen vent system .

OPTIONAL: #816-CL kits - Secure termination cap to existing chimney with 2" self-tapping screws and anchor straps (provided) through pilot holes located at sides of termination cap.

3. From inside existing fireplace, CAREFULLY pull ropes down until exhaust pipe and combustion air intake (if using full connection method), are into existing fireplace.

STUB VENTING: From inside existing fireplace, insert a minimum of 4 ft. (1.22m) of combustion air pipe (end without collar) past the damper opening and into existing fireplace. See illustration at lower right.



VENT SYSTEM CONNECTION

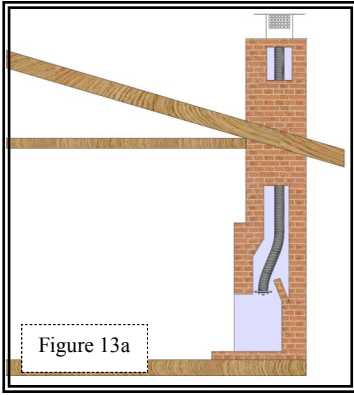


Figure 13a

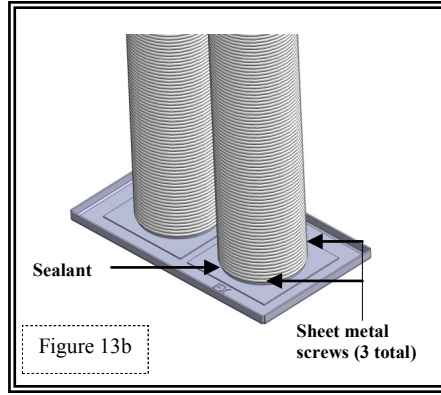


Figure 13b

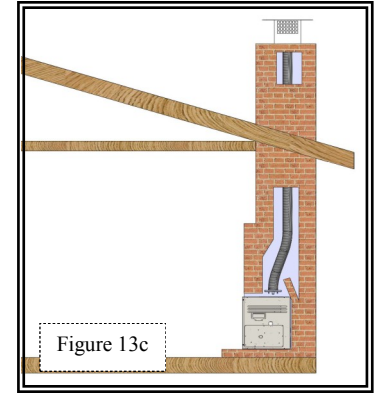
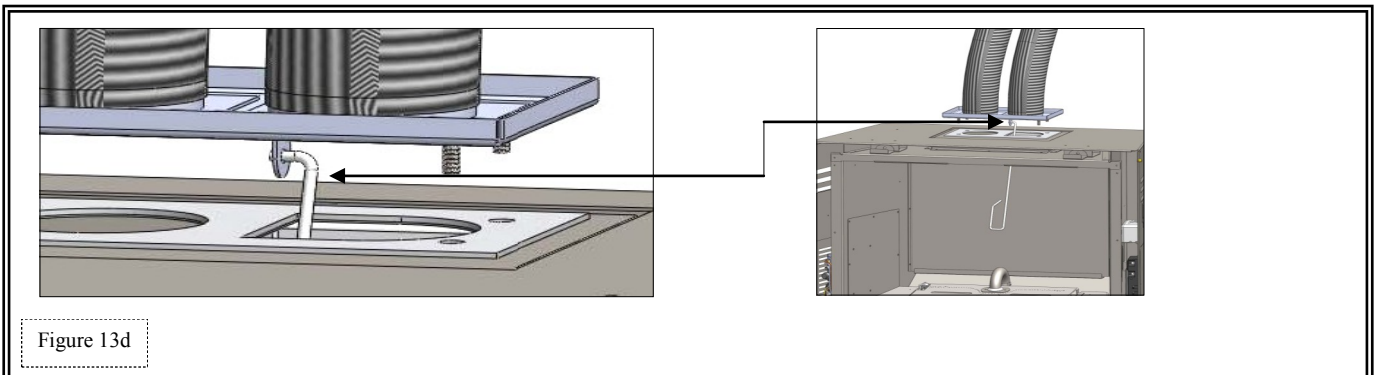


Figure 13c

1. Place air duct (previously removed, page 15) into existing fireplace opening.
2. Place a bead of sealant (provided) around exhaust collar (EX marking) Slide exhaust pipe over EX collar on air duct. Secure with (3) ½" self-tapping screws, provided. Apply additional sealant around joint to ensure an air tight seal.
3. Apply a liberal bead of sealant (provided) around collar on air duct. Slide combustion intake pipe over collar. Secure with (3) ½" self-tapping screws, provided. To ensure an air-tight seal, apply additional sealant around joint.
4. Slide insert into fireplace opening. Check for level. If necessary, leveling bolts are included in components packet and are threaded through bottom of insert into nuts located on each corner of insert. Remove insert, install leveling legs as necessary, slide insert into fireplace opening.

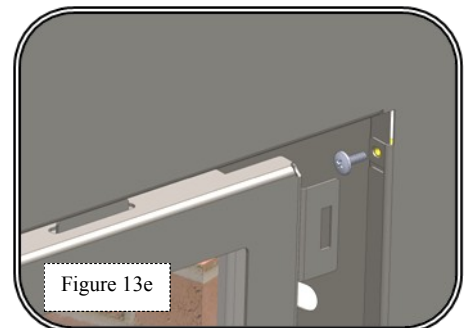


5. Use glass latch tool included in components packet, to pull air duct down onto insert, aligning mounting studs to holes in top of firebox. Secure with nuts previously removed.
6. Reinstall access panel plate, baffle and refractory panels.

SHROUD INSTALLATION

This kit includes: Shroud and (4) phillips truss head screws.

1. Remove screen front and glass frame assembly from fireplace.
2. Align leg section holes to corresponding mounting nuts in mounting brackets on sides of fireplace opening. Secure with phillips truss head screws (2 ea. side).
3. Re-install glass frame assembly and screen front.



GLASS MEDIA INSTALLATION

USE ONLY #113 SERIES GLASS MEDIA (13 lbs. / 5.9 kg) IN THIS FIREPLACE.

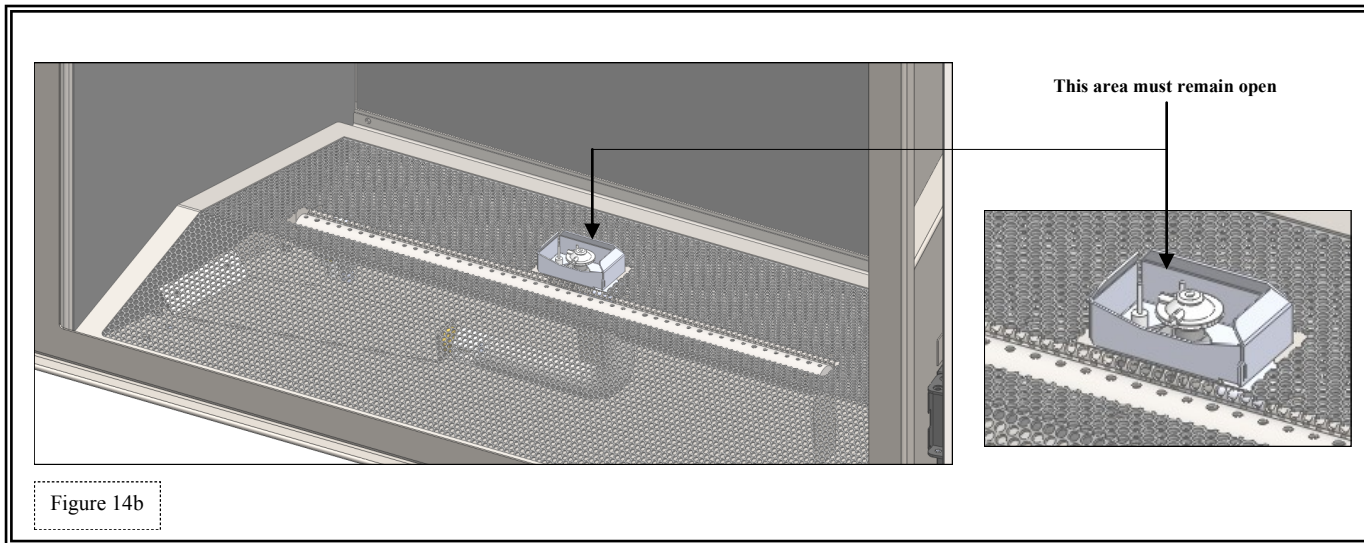
DO NOT SUBSTITUTE MATERIALS OR USE MORE THAN SPECIFIED.

WARNING

DO NOT BLOCK PILOT ASSEMBLY WITH GLASS MEDIA!! A BLOCK PILOT MAY CAUSE DELAYED IGNITION!!

GLASS MEDIA MUST BE NO MORE THAN ONE LAYER DEEP ACROSS ENTIRE BURNER / SCREEN AREA TO AVOID POSSIBLE DELAYED IGNITION AND/OR SOOTING ISSUES.

Install glass media one layer deep onto burner tray, being careful not to block pilot assembly. Save any unused media for future use.

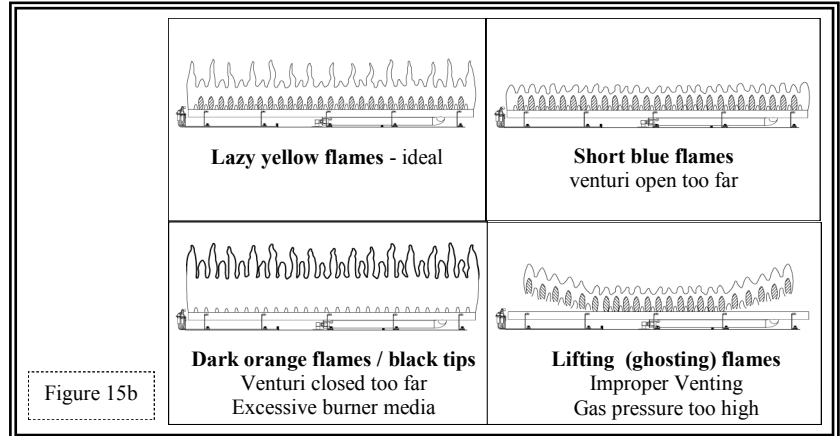
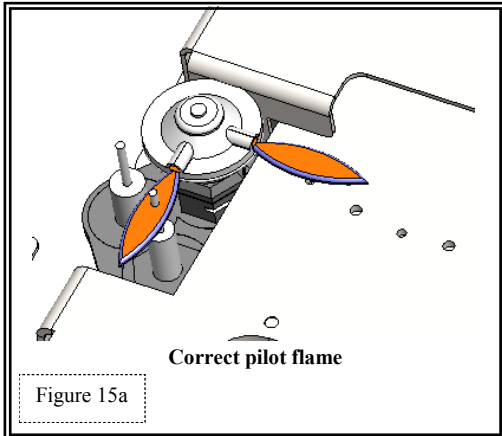


FINALIZING THE INSTALLATION

FLAME APPEARANCE:

Flame appearance is affected by several factors including altitude, venting configuration and fuel quality. Although the venturi setting has been factory set, adjustments may be necessary for optimal performance and visual aesthetics.

When fireplace is first lit, the flames will be blue. Flames will gradually turn yellowish-orange during first 15 minutes of operation. If flames remain blue, or become dark orange with evidence of sooting (black tips), the burner tube venturi may need adjustment.



FACTORY SET BURNER TUBE VENTURI SETTINGS (ADJUST AS NECESSARY FOR YOUR INSTALLATION)

NATURAL GAS	LP (PROPANE) GAS
1/16" (2mm) OPEN	5/8" (16mm) OPEN

BURNER TUBE VENTURI ADJUSTMENT GUIDELINES

VENTURI POSITION	FLAME COLOR	VENTURI ADJUSTMENT
Closed too far	Dark orange flame with black tips	Open venturi setting slightly
Open too far	Blue flames	Close venturi setting slightly

NOTE

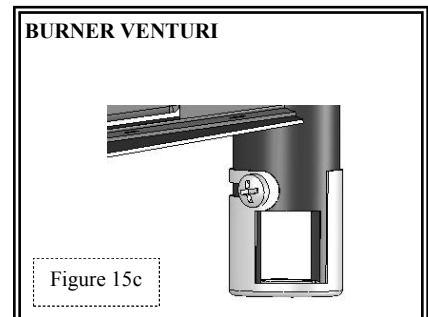
If soot is present, check log positioning before adjusting burner venturi. Logs must not block burner ports.

IMPORTANT

SLIGHT ADJUSTMENTS TO BURNER VENTURI OPENING CREATE DRAMATIC RESULTS. ADJUST AT SLIGHT INCREMENTS UNTIL DESIRED LOOK IS ACHIEVED. ALWAYS BURN FIREPLACE FOR AT LEAST 15 MINUTES AND ALLOW TIME TO COOL BEFORE MAKING ANY FURTHER ADJUSTMENTS.

TO ADJUST VENTURIS:

1. Remove screen front and glass frame assembly.
2. Remove log set.
3. Remove burner assemblies.
4. Loosen screw on burner venturis and adjust as necessary. Tighten screws.
5. Reinstall all components previously removed.
6. Light fireplace and wait 15 minutes before determining if any further adjustments are needed.



MAINTENANCE

The appliance is required to be inspected at least once a year by a professional service person.

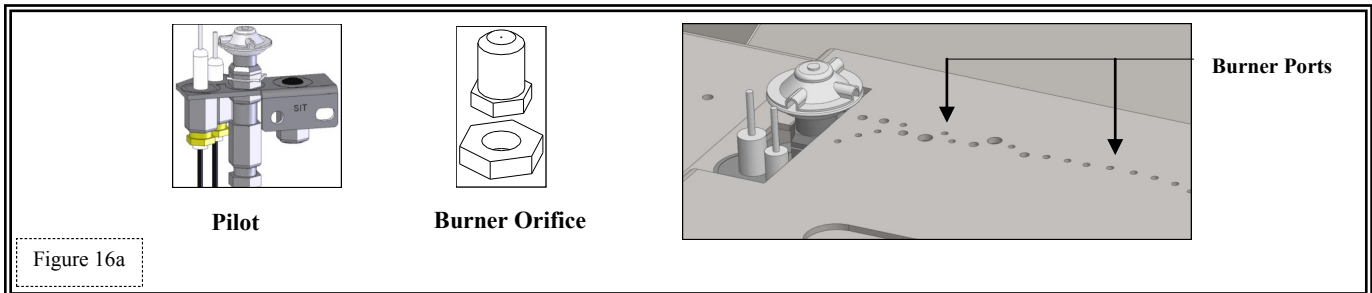
The compartment below firebox must be cleaned at least once a year, more frequent cleaning may be required due to excessive lint from carpeting, bedding materials, or other fibrous materials. Use a vacuum to clean all components at least once a year.

NOTE

INSTALLATION AND REPAIR SHOULD BE DONE ONLY BY QUALIFIED SERVICE PERSON. THE APPLIANCE SHOULD BE INSPECTED BEFORE USE AND ANNUALLY BY A QUALIFIED SERVICE PERSON. MORE FREQUENT CLEANING MAY BE REQUIRED DUE TO EXCESSIVE LINT FROM CARPETING, BEDDING MATERIALS, ETC. IT IS IMPERATIVE THAT CONTROL COMPARTMENTS, BURNERS AND CIRCULATION AIR PASSAGEWAYS OF THE APPLIANCE BE KEPT CLEAN.

CONTROL BOARD SYSTEM

- Annual cleaning of burner system is required. Vacuum all components thoroughly.
- Visually check for blocked port holes, especially near the pilot. Blocked port holes may cause delayed ignition.
- Visually check pilot light and burner when in operation. Flames should be steady, not lifting or floating.



FAN

The fan should be disconnected from electrical current, and cleaned (vacuumed) every six months. The bearings are sealed and require no oiling.

VENT SYSTEM

Annual examination of venting system by a qualified agency is required.

IF VENT-AIR INTAKE SYSTEM IS DISASSEMBLED FOR ANY REASON, RE-INSTALL PER INSTRUCTIONS PROVIDED WITH INITIAL INSTALLATION.

The flow of combustion and ventilation air must not be obstructed.

GLASS CLEANING & REPLACEMENT

- Clean glass only when cool and only with non-abrasive cleansers.
WARNING: DO NOT OPERATE APPLIANCE WITH GLASS/FRAME ASSEMBLY REMOVED, CRACKED OR BROKEN. REPLACEMENT OF THE GLASS SHOULD ONLY BE PERFORMED BY A LICENSED OR QUALIFIED SERVICE PERSON.
- Use protective gloves to handle any broken or damaged glass assembly components.
- The glass assembly, part #JOR-057T, shall only be replaced as a complete unit, as supplied by Hussong Mfg. Co., Inc.
- Replacement of glass & frame assembly, part #JOR-057T, must only be performed by a licensed or qualified service person.
DO NOT SUBSTITUTE MATERIALS.
- Do not strike or slam glass door assembly.

IMPORTANT

ANY SAFETY SCREEN OR GUARD REMOVED FOR SERVICING MUST BE REPLACED PRIOR TO OPERATING THE APPLIANCE.

CAUTION

LABEL ALL WIRES PRIOR TO DISCONNECTION WHEN SERVICING CONTROLS. WIRING ERRORS CAN CAUSE IMPROPER AND DANGEROUS OPERATION. VERIFY PROPER OPERATION AFTER SERVICING.

KEEP APPLIANCE AREA CLEAR OF COMBUSTIBLE MATERIALS, SUCH AS GASOLINE AND OTHER FLAMMABLE VAPORS AND LIQUIDS.

LIMITED WARRANTY

KOZY HEAT LIMITED 10 YEAR WARRANTY

This limited 10 Year Warranty will not become effective until the Warranty Registration Form has been completed and mailed to Hussong Manufacturing Co., Inc., P.O. Box 577, Lakefield, MN 56150. This registration form must be received within 30 days of installation. Failure to do so may result in delayed warranty coverage and submission of proof of purchase will be required.

Hussong Manufacturing Co., Inc. warranties to the original purchaser of this Kozy Heat Fireplace, that it is free of defects in materials and workmanship at the time of manufacture.

Subject to the following conditions & requirements, Hussong Manufacturing Co., Inc. extends the following limited warranty under normal use and service, with respect to the Kozy Heat line of gas burning fireplaces.

YEAR 1: Subject to the conditions & requirements listed below, within the first year from date of purchase, Hussong Manufacturing Co., Inc. shall, at its discretion, replace or repair any such defect in material or workmanship, at Hussong Manufacturing Co., Inc.'s expense, including reasonable labor costs to repair or replace the defective component, if a factory pre-authorization is given for the repair.

YEARS 2-10: Subject to the conditions & requirements listed below, beginning with the first day of the second year and continuing through the tenth year, Hussong Manufacturing Co., Inc., will at its discretion, provide repair or replacement parts at current list prices for any defect in material or workmanship of components, including optional components and accessories (if available). Hussong Manufacturing Co., Inc. shall not be responsible for any installation, labor, transportation of other indirect costs.

LIMITATION OF LIABILITY

To make a claim under this warranty, the purchaser must first contact the dealer/installer from whom the fireplace was purchased.

This limited warranty will be void if the fireplace is not installed by a qualified installer and according to the installation instructions. Use of unauthorized components will make this warranty null and void.

This limited warranty also is void if the fireplace is not operated, at all times, according to the operating instructions furnished.

This warranty is limited to defects in material and workmanship. It does not apply to any product that has been subject to negligence, misapplication, improper installation.

No person is authorized to extend the time of this warranty or to accept on Hussong Manufacturing Co., Inc.'s behalf any additional obligation of liability connected with the unit.

It is expressly agreed and understood that this warranty is Hussong Manufacturing Co., Inc.'s sole obligation and purchaser's exclusive remedy for defective fireplace equipment. Hussong Manufacturing Co., Inc. shall not be liable for any consequential, incidental or contingent damages whatsoever. The foregoing warranty is exclusive and in lieu of all other expressed warranties. Hussong Manufacturing Co., Inc. shall not be held to implied warranties or merchantability and fitness for a particular purpose. This warranty replaces all previous warranty policies.

Some states do not allow the exclusion or limitation of incidental or consequential damages or limitations on how long an implied warranty lasts, so the above limitations or exclusions may not apply to you. This warranty gives you specific legal rights and you may also have other rights which vary from state to state.

Hussong Manufacturing Co., Inc. reserves the right to make changes at any time, without notice, in design, material, specifications and prices. Hussong Manufacturing Co., Inc. reserves the right to discontinue models and products.

WARRANTY CONDITIONS & REQUIREMENTS:

1. You are the original purchaser. This warranty is not transferable.
2. Installation of the fireplace is performed by a qualified installer.
3. Installation and operation must comply with installation and operation instructions.
4. Paint and glass gaskets are covered for 30 days from date of purchase.
5. Remote controls and all optional accessories are covered for 1 year from date of purchase.
6. This warranty does not offer coverage for Light Bulbs or Batteries (whether factory, dealer or installer supplied). This includes any damage stemming from either component's nonuse.
7. Components broken, (including glass panels), during shipping, careless handling of components, or defects resulting from improper installation, misuse of the fireplace and components are not covered under this warranty.
8. This warranty does not cover any part of the fireplace or any components which have been exposed to or submerged under water.
9. Hussong Manufacturing Co., Inc. must be notified by the dealer the fireplace was purchased from or a qualified installer/service technician of the defect.
10. Annual service of the fireplace as required in the installation manual, is performed by a qualified installer/service technician.

(Copies of such service records may be required to claim a warranty).

11. All previous warranty/service has been performed by a qualified installer or service technician.

LIFETIME WARRANTY

LIFETIME WARRANTY

THIS LIFETIME WARRANTY COVERAGE WILL BE EXTENDED AS DESCRIBED BELOW PROVIDED ALL WARRANTY CONDITIONS AND REQUIREMENTS ARE MET AS OUTLINED IN THE 10 YEAR LIMITED WARRANTY POLICY.

LIFETIME WARRANTY COVERAGE

LIFETIME WARRANTY IS EXTENDED AS FOLLOWS: Hussong Manufacturing Co., Inc. warranties to the original purchaser that the firebox, heat exchanger, fiber logs, burner tube and glass panel of this Kozy Heat Fireplace will not be defective in material or workmanship under normal use and service for as long as you own this product. If any of these components fail due to defects in material and workmanship under normal use and service, Hussong Manufacturing Co., Inc. will, at its sole discretion, repair or replace the defective component. This LIFETIME WARRANTY does not cover any installation, labor, transportation or other indirect cost arising from defective components.

LIMITATION OF LIABILITY

This Lifetime Warranty will be void if the fireplace is not installed by a qualified installer and according to the installation instructions. Use of unauthorized components will make this warranty null and void. This Lifetime Warranty also is void if the fireplace is not operated, at all times, according to the operating instructions furnished. This warranty is limited to defects in material and workmanship of components specified. It does not apply to any product that has been subject to negligence, misapplication, improper installation.

No person is authorized to extend the time of this Lifetime Warranty or to accept on Hussong Manufacturing Co., Inc.'s behalf any additional obligation of liability connected with the unit .

Hussong Manufacturing Co., Inc. may fully discharge all obligations with respect to this Lifetime Warranty by refunding the wholesale price of the defective component(s).

It is expressly agreed and understood that this Lifetime Warranty is Hussong Manufacturing Co., Inc.'s sole obligation and original purchaser's exclusive remedy for defective fireplace equipment. Hussong Manufacturing Co., Inc. shall not be liable for any consequential, incidental or contingent damages whatsoever other than those incurred by Hussong Manufacturing Co., Inc. to repair or replace the defective component. The foregoing warranty is exclusive and in lieu of all other expressed warranties. Hussong Manufacturing Co., Inc. shall not be held to implied warranties, including but not limited to the implied warranties of merchantability and fitness for a particular purpose. This lifetime warranty replace all previous lifetime warranty policies.

Hussong Manufacturing Co., Inc. reserves the right to make changes at any time, without notice, in design, material, specifications and prices. Hussong Manufacturing Co., Inc. reserves the right to discontinue models and products.

To activate this Lifetime Warranty coverage, this registration card must be completed and mailed with your completed 10 Year Limited Warranty form within 30 days of installation to the following address:

Hussong Manufacturing Co., Inc.
P.O. Box 577
204 Industrial Park Drive
Lakefield, MN 56150-0577

Sept. 2011

CUT ALONG DOTTED LINE

PURCHASER NAME: _____
ADDRESS: _____

TELEPHONE: _____

INSTALLATION DATE: _____
MODEL #: _____
SERIAL #: _____

INSTALLER NAME: _____
ADDRESS: _____

TELEPHONE: _____





#MPS-30

DIRECT VENT GAS FIREPLACE INSERT

IMPORTANT: This supplemental installation and homeowner manual is to be used in conjunction with MINNEAPOLIS INSTALLATION MANUAL. Read both manuals before installing and operating appliance.

INSTALLER: Leave this manual with the appliance.
CONSUMER: Retain this manual for future reference.

English and French Installation Manuals Available Through Your Local Dealer or Visit Our Website at www.kozyheat.com

WARNING: Improper installation, adjustment, alteration, service or maintenance can cause injury or property damage. Refer to fireplace installation manual and this manual. For assistance or additional information consult a qualified installer, service agency or the gas supplier.

WARNING: If the information in these instructions is not followed exactly, a fire or explosion may result causing property damage, personal injury or loss of life.

—Do not store or use gasoline or other flammable vapors and liquids in the vicinity of this or any other appliance.

WHAT TO DO IF YOU SMELL GAS:

- ❑ Do not try to light any appliance.
- ❑ Do not touch any electrical switch: do not use any phone in your building.
- ❑ Immediately call gas supplier from a neighbors phone. Follow the gas supplier instructions
- ❑ If you cannot reach your gas supplier, call the fire department.

— Installation and service must be performed by a qualified installer, service agency or the gas supplier.



WARNING



**HOT GLASS WILL CAUSE BURNS.
DO NOT TOUCH GLASS UNTIL COOLED.
NEVER ALLOW CHILDREN TO TOUCH GLASS.**



OMNI-Test Laboratories, Inc.
Report No. 216-S-33b-6.5

APRIL 2012
MPS-SUP-REV-01

TABLE OF CONTENTS

<u>SAFETY INFORMATION</u>	
Safety Information	2
<u>SPECIFICATIONS</u>	
Components List	3
Gas Pressure Requirements / BTU's	3
<u>WIRING SCHEMATICS</u>	
Wiring Schematics	4
<u>OPERATING INSTRUCTIONS</u>	
Control System Components	5-6
System Operations	7-10
Lighting and Shutdown	11-12
Pressure Testing	13
<u>TROUBLESHOOTING</u>	
Troubleshooting	14-15
<u>CONVERSION KIT INSTRUCTIONS</u>	
Conversion Kit Instructions	16-18
<u>MAINTENANCE</u>	
Maintenance	19
<u>REPLACEMENT PARTS</u>	
Replacement Parts	20

SAFETY INFORMATION

This fireplace has been tested by OMNI-Test Laboratories, Portland, Oregon and complies with:

ANSI Z21.88-2009/CSA 2.33-2009, "Standard for Vented Gas Fireplace Heaters."
CAN 2.14-M91 (R2009), "Gas-Fired for Use at High Altitudes."
CAN/CSA P.4.1-09, "Testing Method for Measuring Annual Efficiency".

This installation must conform with local codes, or in the absence of local codes, with the *National Fuel Gas Code, ANSI Z223.1/NFPA 54*, or the *Natural Gas and Propane Installation Code, CSA B149.1*

- Installation and repair should be done only by a qualified service person. The appliance should be inspected by a qualified service person before use. Annual inspection by a qualified service person is required to maintain warranty. More frequent cleaning may be required due to excessive lint from carpeting, bedding materials, etc. It is imperative that control compartments, burners and circulation air passageways of the appliance be kept clean.
- If this appliance is installed directly on carpeting, tile or other combustible material other than wood flooring, the appliance shall be installed on a metal or wood panel extending the full width and depth of the appliance.
- Children and adults should be alerted to the hazards of high surface temperatures and should stay away to avoid burns or clothing ignition.
- Young children should be carefully supervised when they are in the same room as the appliance. Toddlers, young children and others may be susceptible to accidental contact burns. A physical barrier is recommended if there are at risk individuals in the house. To restrict access to a fireplace or stove, install an adjustable safety gate to keep toddlers, young children and other at risk individuals out of the room and away from hot surfaces.
- Clothing or other flammable material should not be placed on or near the appliance.
- Adequate accessibility clearances for servicing and proper operation must be maintained.
- This appliance must not share or be connected to a chimney flue serving any other appliance.
- Keep area around the appliance clear of combustible materials, gasoline and other flammable vapor and liquids.
- The flow of combustion and ventilation air must not be obstructed.
- Due to high temperatures the appliance should be located out of traffic and away from furniture and draperies.
- The glass front or any part removed for servicing the appliance must be replaced prior to operating the appliance. Work should be done by a qualified service technician.
- Clean glass only when cool and only with non-abrasive cleansers.
- **WARNING: DO NOT OPERATE APPLIANCE WITH THE GLASS/FRAME ASSEMBLY REMOVED, CRACKED OR BROKEN. REPLACEMENT OF THE GLASS SHOULD ONLY BE PERFORMED BY A LICENSED OR QUALIFIED SERVICE PERSON.**
- The glass assembly, Part #JOR-057T, shall only be replaced as a complete unit, as supplied by Hussong Mfg. Co., Inc. DO NOT SUBSTITUTE MATERIALS.
- Do not strike or slam glass assembly.
- Any safety screen or guard removed for servicing the appliance must be replaced prior to operating the appliance.
- Under no circumstances should any solid fuel (wood, coal, paper or cardboard etc.) be used in this appliance.
- Keep burner and control compartment clean.
- Do not use this fireplace if any part has been under water. Immediately call a qualified service technician to inspect this appliance and to replace any part of the control system and any gas control which has been under water.

SPECIFICATIONS

MPS-30 COMPONENTS LIST

PART NUMBER	DESCRIPTION
MPS-100	Control Board Assembly
700-203	Manual Gas Shut-off Valve
MPS-135	Burner Assembly
RFD-B-900	Firebox Liner Set
106-BLK	Glass Media Kit
JOR-057T	Glass Frame Assembly
816-CL1	Co-Linear Air Duct
JOR-028	Fan Kit (1)-75 CFM
700-308	Remote Control
700-GLT	Glass Latch Tool

	<u>MPS-30</u>	
	<u>NATURAL GAS</u>	<u>LP GAS</u>
MINIMUM INLET GAS PRESSURE	5" WC (1.25 kPa) (7" WC (1.74 kPa) (recommended)	11" WC (2.74 kPa) (recommended)
MAXIMUM INLET GAS PRESSURE	10.5" WC (2.62 kPa)	13" WC (3.24 kPa)
MANIFOLD PRESSURE (HI)	3.5" WC (.87 kPa)	10" WC (2.49 kPa)
MANIFOLD PRESSURE (LO)	1.6" WC (.40 kPa)	6.4" WC (1.59 kPa)
ORIFICE SIZE	#42	#53
INPUT BTU/hr. (kW)	26,000 (7.62 kW)	26,000 (7.62 kW)
MINIMUM INPUT BTU/hr. (kW)	17,000 (4.98 kW)	19,500 (5.72 kW)

WIRING SCHEMATICS

IMPORTANT

THIS SYSTEM REQUIRES ELECTRICITY (120V) AND / OR BATTERIES TO OPERATE.

USING BATTERY BACK UP WILL OPERATE BURNER ONLY. FAN AND LIGHT COMPONENTS WILL NOT FUNCTION ON BATTERY BACK-UP POWER.

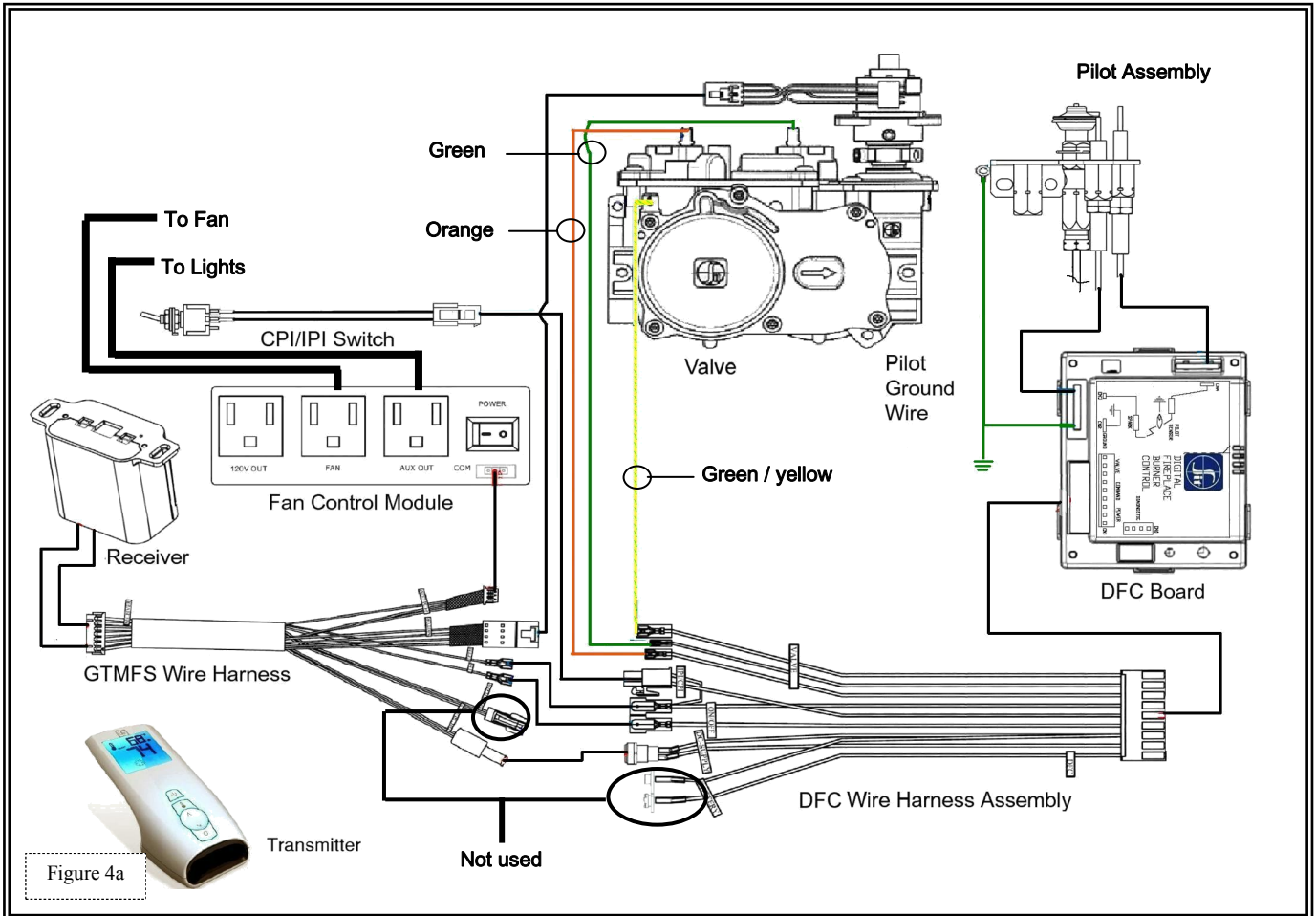


Figure 4a

CONTROL SYSTEM COMPONENTS

REMOTE CONTROL

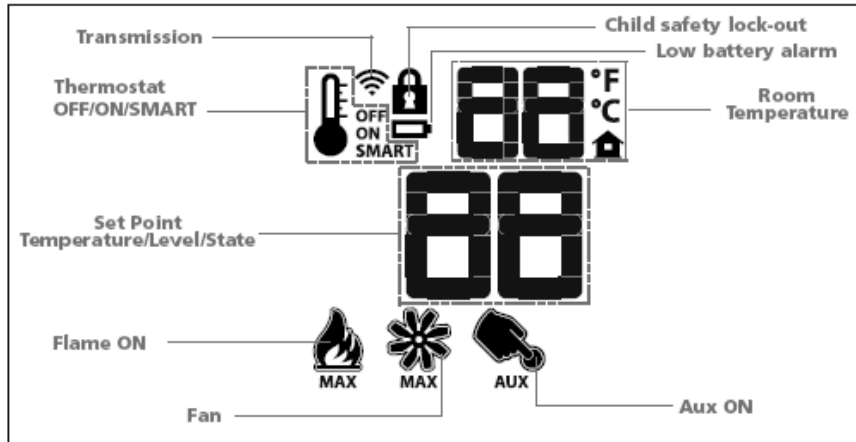


Figure 5a

GAS VALVE

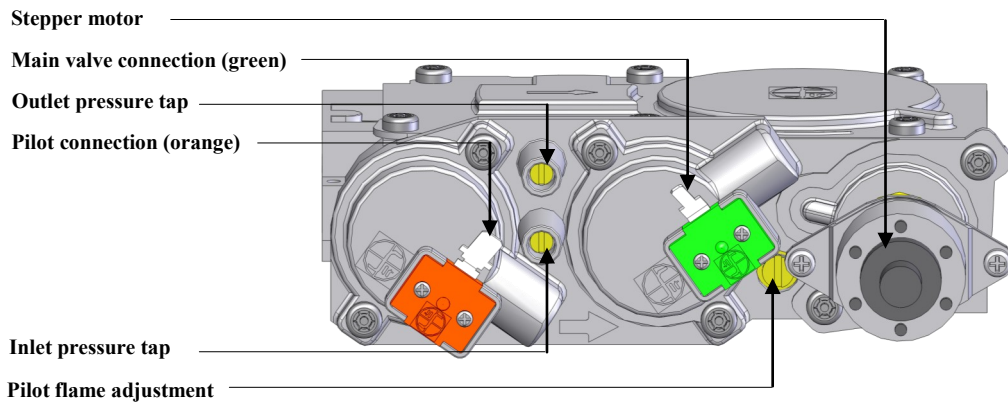


Figure 5b

PILOT ASSEMBLY

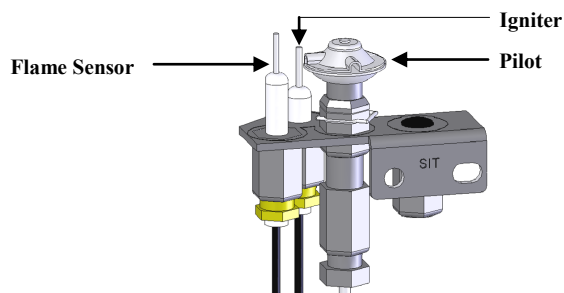


Figure 5c

CONTROL SYSTEM COMPONENTS

RECEIVER

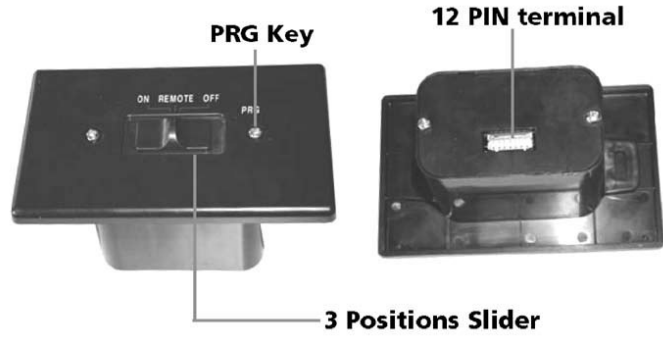


Figure 6a

FAN CONTROL MODULE

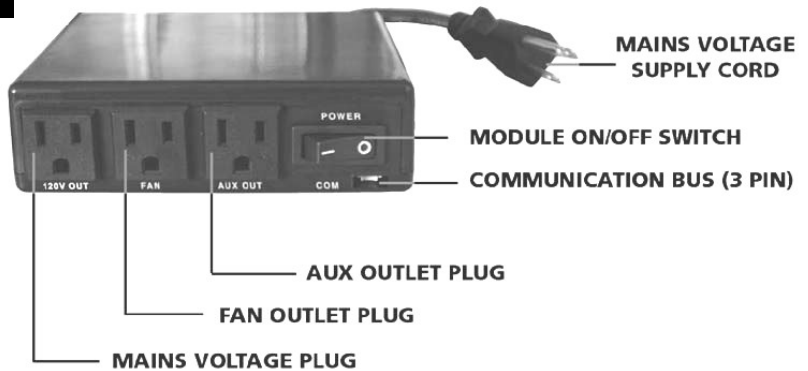


Figure 6b

DFC CONTROL BOARD

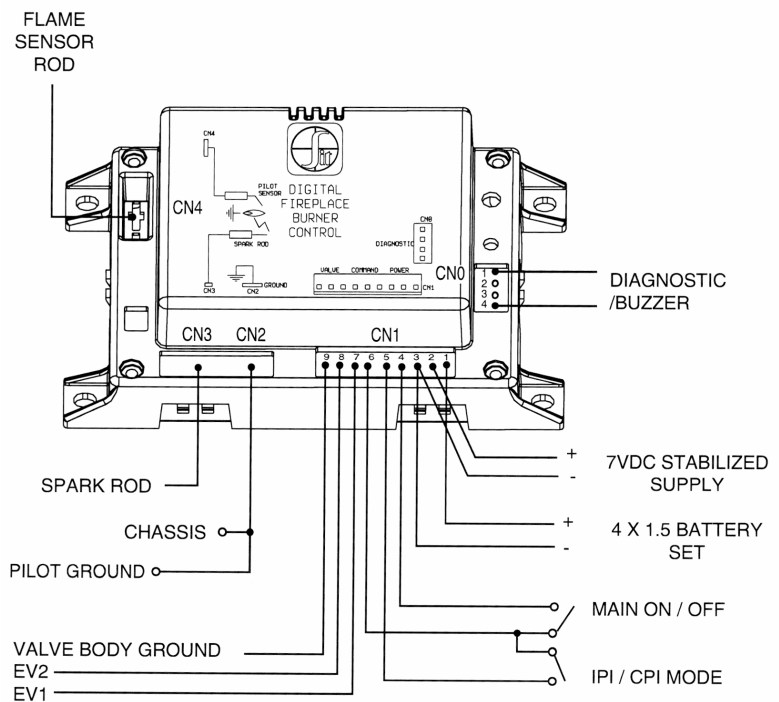
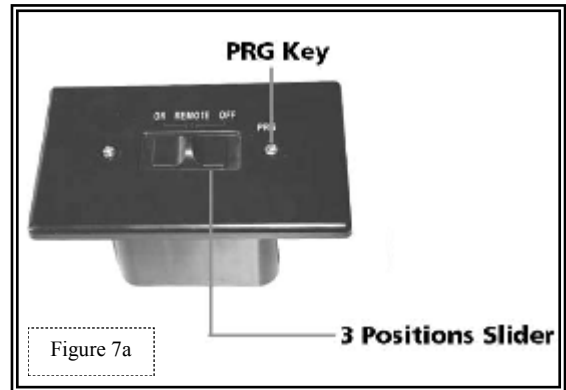


Figure 6c

SYSTEM OPERATION

INITIALIZING THE SYSTEM FOR THE FIRST TIME

1. Move slider switch on receiver to **OFF** position.
2. Install 4 AA batteries (included in components packet) into receiver battery bay.
3. Using the end of a paper clip, or other similar object, press button through hole marked **PRG** on receiver front cover. Receiver will 'beep' three (3) times to indicate it is ready to synchronize with a transmitter.
4. Install 3 AAA batteries (included in components packet) into transmitter battery bay (located on base of transmitter). Push the **ON** button. The receiver will beep four (4) times to indicate the transmitter's command is accepted and set to the particular code of that transmitter.
5. Push **OFF** button on transmitter. The receiver will 'beep' two (2) times to indicate the transmitter's command is again accepted.
6. Move slider switch to **REMOTE** position.
7. Turn On fan control module, switching to ON (|) position.
8. The system is now initialized.

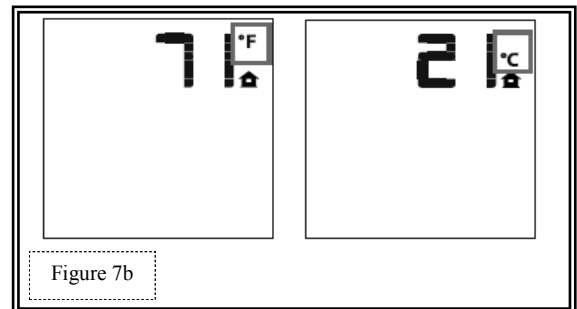


NOTE

This procedure must be performed every time batteries are replaced in Receiver or Transmitter.

TEMPERATURE DISPLAY

With the system in **OFF** position, press Thermostat Key and Mode Key at the same time to change from degrees F to C. Look at transmitter LCD screen to verify that C or F is visible on right side of Room Temperature display.



TURN ON THE APPLIANCE

Press **ON/OFF** key on transmitter. The display will show all active icons on the screen. A single 'beep' from receiver will confirm reception of the command.

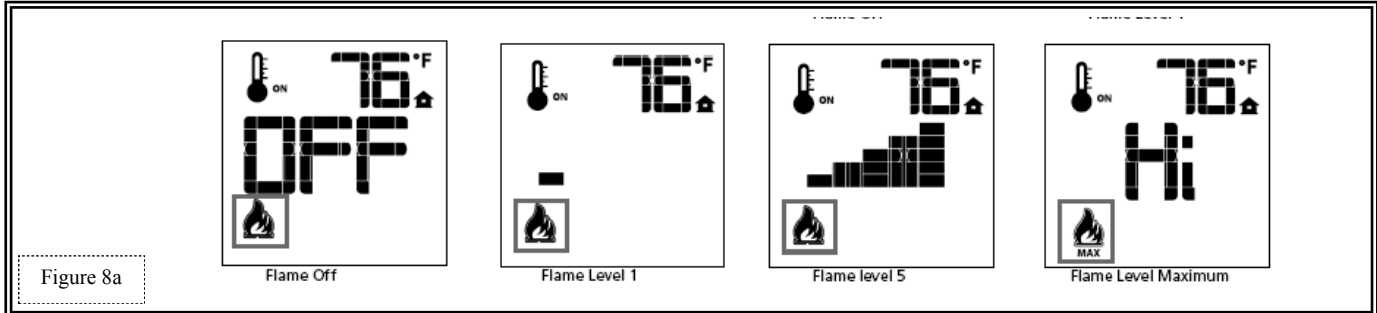
TURN OFF THE APPLIANCE

Press **ON/OFF** key on transmitter. The display will show only room temperature and icon on the screen. A single 'beep' from receiver will confirm reception of the command.

SYSTEM OPERATION

REMOTE FLAME CONTROL

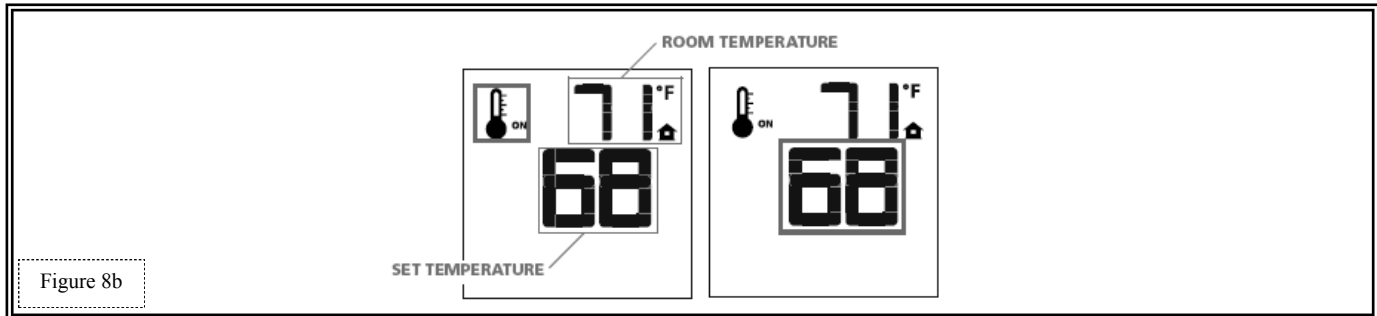
The remote control has six (6) flame levels. With system ON and flame level at maximum, press Down Arrow Key once to reduce flame height by one step until flame is turned off. The Up Arrow Key will increase flame height on step each time it is pressed. If Up Arrow Key is pressed while system is on but flame is off, the flame will come on in High position. A single 'beep' will confirm reception of the command.



ROOM THERMOSTAT (Transmitter Operation)

The remote control can operate as a room thermostat. The thermostat can be set to desired temperature to control a rooms comfort level.

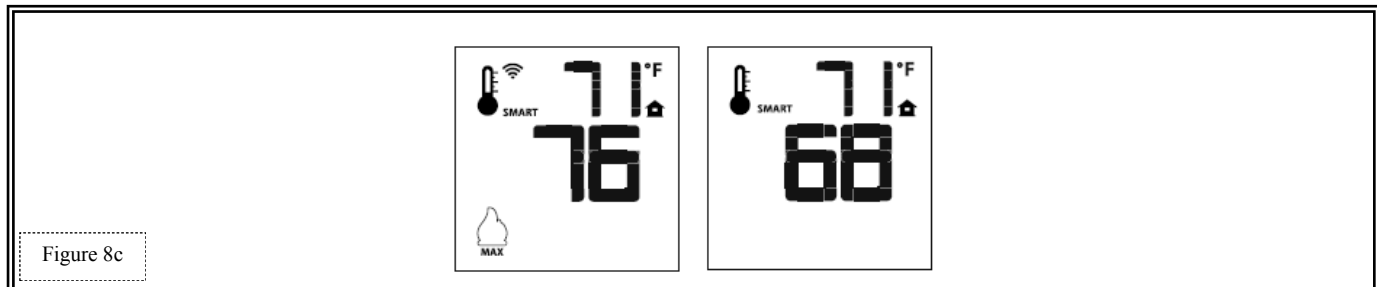
To activate this function, press the Thermostat Key. The LCD display will change to show the room thermostat is ON and set temperature is now displayed. To adjust set temperature, press Up or Down arrow keys until desired set temperature is display on LCD screen.



SMART THERMOSTAT (Transmitter Operation)

The Smart Thermostat function adjusts flame height based on set temperature and actual room temperature. As room temperature gets closer to set point the Smart Function will automatically adjust flame down.

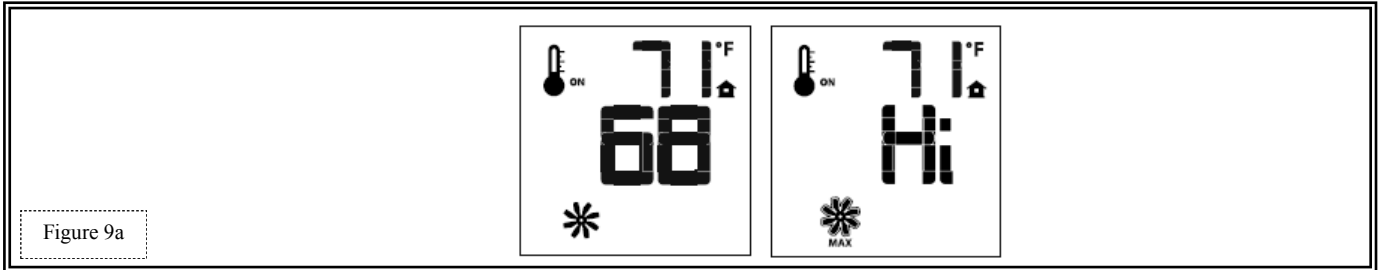
1. Press Thermostat key until the word SMART appears on right side of temperature bulb graphic.
2. To adjust set temperature, press Up/Down arrow keys until desired set temperature is displayed on LCD screen.



SYSTEM OPERATION

FAN SPEED CONTROL

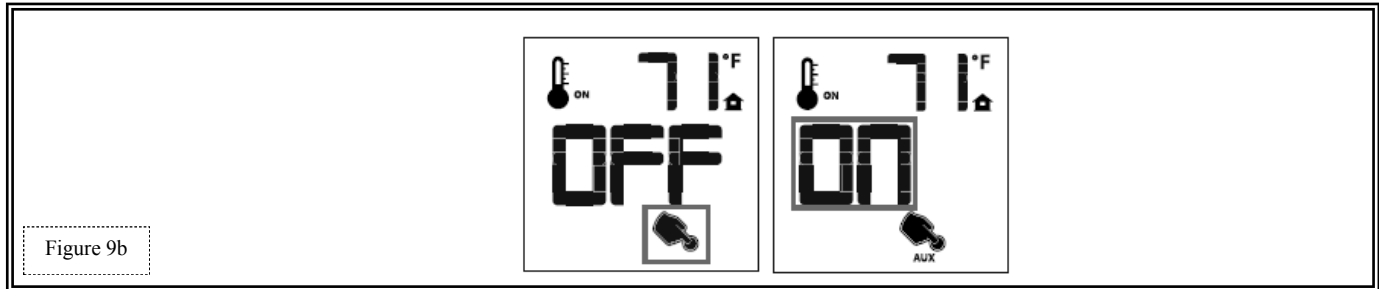
Fan speed can be adjusted through six (6) speeds. To activate this function use Mode Key to index to fan control icon. Use Up/Down Arrow Keys to turn on, off or adjust fan speed. A single 'beep' will confirm reception of the command.



ACCENT LIGHT KIT (not available in all fireplace models)

The auxiliary function controls the AUX power outlet on the Fan control module which in turn controls the light kit.

1. Use MODE key to guide you to AUX icon.
2. Press Up Arrow Key to turn light kit on, press Down Arrow Key to turn light kit off. A single 'beep' will confirm reception of the command.
3. Use the installed dimmer switch to adjust brightness of lights.

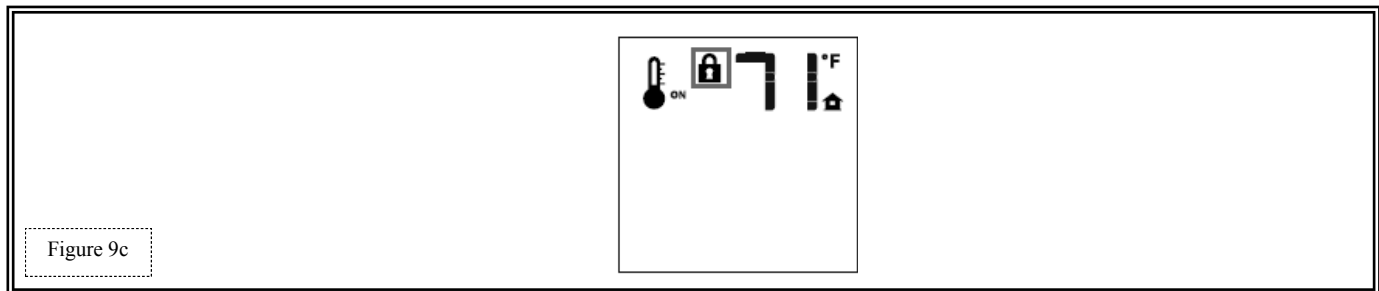


KEY LOCK

This function locks the keys to avoid unsupervised operation.

To Activate: Press MODE and UP keys at same time.

To De-activate: Press MODE and UP keys at same time.



SYSTEM OPERATION

LOW BATTERY DETECTION

TRANSMITTER: Remote control battery lifespan depends on various factors including battery quality, number of ignitions, changes to room thermostat set point, etc.

When transmitter batteries are low, a Battery Icon will appear on the LCD display before all battery power is lost. When batteries are replaced this icon will disappear.

RECEIVER: Receiver battery lifespan depends on various factors including battery quality, number of ignitions, changes to room thermostat set point, etc.

When receiver batteries are low, no 'beep' will be emitted from Receiver when it receives an ON/OFF command from the Transmitter. This is an alert for a low battery condition for the Receiver. When the batteries are replaced the 'beep' will be emitted from the Receiver when ON/OFF Key is pressed.

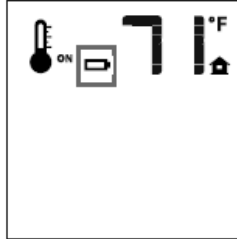


Figure 10a

MANUAL BYPASS OF REMOTE SYSTEM

If batteries of the Receiver or Transmitter are low or depleted, the appliance can be turned on by sliding the three position slider switch on the Receiver to the ON position. This will bypass the remote control feature of the system and the appliance main burner will come on if gas valve is in the ON position.

CONTINUOUS PILOT OPTION

This system has the option of a continuous (standing) pilot feature. This allows you to change from a spark-to-pilot system to a standing pilot system during cold weather conditions. By having the pilot on continuously, the firebox will remain warm and a draft is established in the vent, allowing the main burner to turn on with less air-flow disruption.

When continuous pilot mode is activated and fireplace is turned ON, the pilot will spark and light. When fireplace is turned OFF, the pilot will remain lit when main burner has been turned OFF.

DIRECT FIREPLACE OPERATION

The fireplace may be directly operated from the receiver.

ON: Fireplace burner turns on (regardless of transmitter settings).

OFF: Fireplace burner turns off (regardless of transmitter settings).

REMOTE: Fireplace is controlled by remote control (transmitter).

NOTE

When receiver switch is turned to ON or Off, mode settings (Accent Lights, Fan, Flame Height, Smart Thermostat) will remain in same state as before switch was moved. If you wish to adjust mode settings use transmitter mode button to adjust settings. The thermostat and burner ON/OFF operating functions will not work on the transmitter.

LIGHTING AND SHUTDOWN

FOR YOUR SAFETY - READ BEFORE OPERATING

WARNING

IF YOU DO **NOT** FOLLOW THESE INSTRUCTIONS EXACTLY, A FIRE OR EXPLOSION MAY RESULT, CAUSING PROPERTY DAMAGE, PERSONAL INJURY OR LOSS OF LIFE.

1. This appliance is equipped with an ignition device which automatically lights the pilot. **DO NOT** try to light the pilot by hand.
2. BEFORE OPERATING, smell all around the appliance area for gas. Be sure to smell next to the floor because some gas is heavier than air and will settle on the floor.

WHAT TO DO IF YOU SMELL GAS:

- * Do not try to light any appliance.
 - * Do not touch any electrical switch; do not use any phone in your building.
 - * Immediately call your gas supplier from a neighbor's phone. Follow the gas supplier's instructions.
 - * If you cannot reach your gas supplier, call the fire department.
3. Do not use this appliance if any part has been under water. Immediately call a qualified service technician to inspect the appliance and to replace any part of the control system and any gas control which has been under water.

WARNING

CHILDREN AND ADULTS SHOULD BE ALERTED TO THE HAZARDS OF HIGH SURFACE TEMPERATURES AND SHOULD STAY AWAY TO AVOID BURNS OR CLOTHING IGNITION. YOUNG CHILDREN SHOULD BE CAREFULLY SUPERVISED WHEN THEY ARE IN THE SAME ROOM AS THE APPLIANCE.

CLOTHING OR OTHER FLAMMABLE MATERIAL MUST NOT BE PLACED ON OR NEAR THE APPLIANCE.

DO NOT STORE OR USE GASOLINE OR OTHER FLAMMABLE VAPORS AND LIQUIDS IN THE VICINITY OF THIS OR ANY OTHER APPLIANCE.

NOTE

A PAINT SMELL WILL OCCUR DURING THE FIRST FEW HOURS OF BURNING. IT IS RECOMMENDED TO LEAVE THE FAN OFF DURING THIS PERIOD TO HELP SPEED THE PAINT CURING PROCESS.

THIS FIREPLACE MAY PRODUCE NOISES OF VARYING DEGREE AS IT HEATS AND COOLS DUE TO METAL EXPANSION AND CONTRACTION. THIS IS NORMAL AND DOES NOT AFFECT THE PERFORMANCE OR LONGEVITY OF THE FIREPLACE.

DUE TO HIGH SURFACE TEMPERATURES, KEEP CHILDREN, CLOTHING AND FURNITURE AWAY.

This appliance needs fresh air for safe operation and must be installed so there are provisions for adequate combustion and ventilation air.

LIGHTING AND SHUTDOWN (cont.)

OPERATING INSTRUCTIONS

STOP!

Read safety information on previous page and front cover of this manual before continuing.

1. Turn off all electric power to the appliance.

ATTENTION

This appliance is equipped with an ignition device which automatically lights the pilot. **DO NOT** try to light the pilot by hand.

2. Press hand held remote **OFF** button.
3. Wait five (5) minutes to clear out any gas. Then smell for gas, including near the floor. If you smell gas, **STOP!** Follow 'WHAT TO DO IF YOU SMELL GAS' below. If you don't smell gas, go to next step.

WHAT TO DO IF YOU SMELL GAS:

- * Do not try to light any appliance.
- * Do not touch any electric switch; do not use any phone in your building.
- * Immediately call your gas supplier from a neighbor's phone. Follow the gas supplier's instructions.
- * If you cannot reach your gas supplier, call the fire department.

4. Turn ON all electric power to the appliance.
5. Press hand held remote **ON** button.

CAUTION

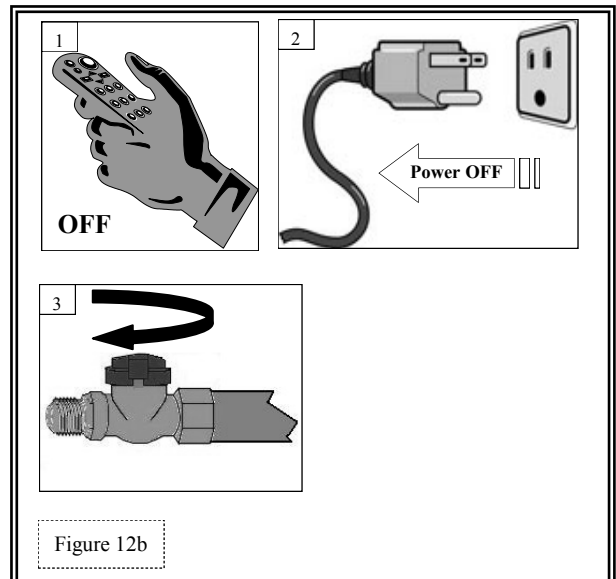
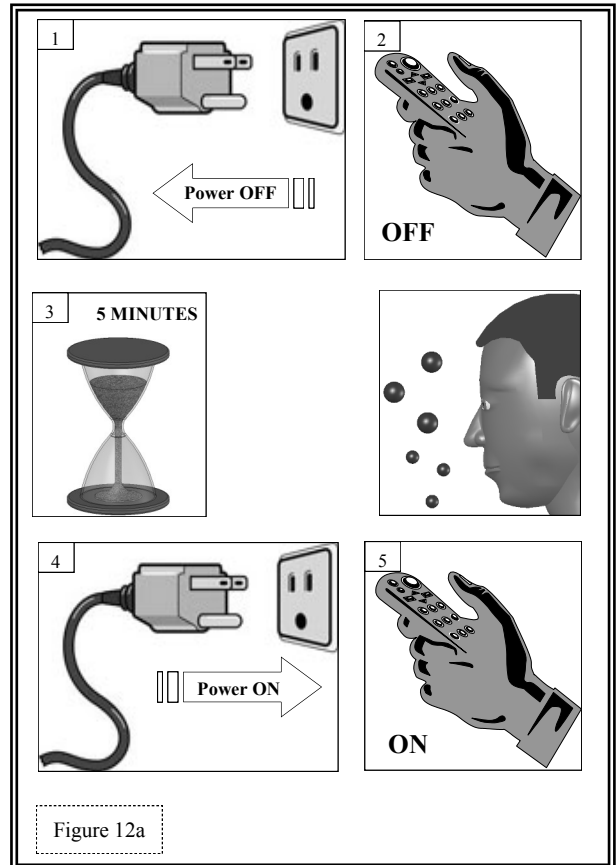
If fireplace will not operate, follow instructions **TO TURN GAS OFF TO APPLIANCE** and call your service technician or the gas supplier.

NOTE

When fireplace is initially lit, condensation will appear on the glass; this is normal in all gas fireplaces and will disappear after several minutes.

TO TURN GAS OFF TO APPLIANCE

1. Press hand held remote **OFF** button.
2. Turn OFF all electric power to appliance if service is to be performed.
3. Manual shut-off valve located behind lower grill. Turn manual shut-off valve to **OFF**.



PRESSURE TESTING

IMPORTANT

Pressure check taps for manifold (outgoing) and inlet (incoming) pressure have been incorporated into the valve. The pressure tap marked OUT measures outgoing pressure and the pressure tap marked IN measures incoming pressure. Follow instructions below for proper testing procedures. Refer to page 17 for proper NAT and LP manifold pressures.

NOTE

The appliance and its appliance main gas valve must be disconnected from the gas supply piping system during any pressure testing of that system at test pressures in excess of 1/2 psi (3.5 kPa). The appliance must be isolated from the gas supply piping system by closing its equipment shutoff valve during any pressure testing of the gas supply piping system at test pressures equal to or less than 1/2 psi (3.5 kPa).

INLET PRESSURE TEST:

1. Loosen inlet (IN) pressure tap screw (counter-clockwise).
2. Attach manometer using a 5/16" I.D. hose.
3. Set IPI/CPI switch to CPI setting.
4. Light pilot. Note manometer reading.
5. Move receiver slider switch to ON. Burner should light. Check pressure to ensure it stays between the min. and max. recommended pressure settings.
6. Set IPI/CPI switch to IPI setting. Move receiver slider switch to OFF. Pilot and burner should go out.
7. Disconnect hose and tighten screw (clockwise). Screw should be snug, do not over tighten.
8. Relight pilot. Reattach manometer to inlet pressure tap to verify that it is completely sealed. Manometer should read no pressure.

NOTE

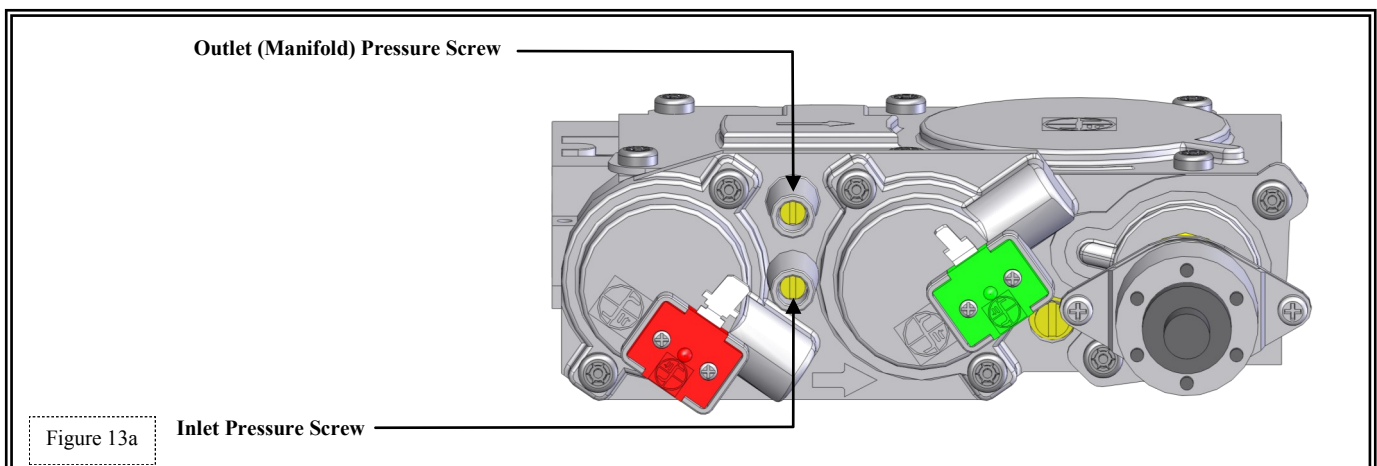
If inlet pressure reading is too high or too low, contact the gas company. Only a qualified gas service technician should adjust incoming gas pressure.

CAUTION

A LOW PRESSURE READING CAN CAUSE DELAYED IGNITION.

MANIFOLD PRESSURE TEST:

1. Light pilot.
2. Loosen manifold (OUT) pressure tap screw (counter-clockwise).
3. Attach manometer to pressure tap using a 5/16" I.D. hose.
4. Set IPI/CPI switch to CPI setting.
5. Move receiver slider switch to ON. Burner should light. Note manometer reading.
6. Set IPI/CPI switch to IPI setting. Move receiver slider switch to OFF.
7. Disconnect manometer hose and tighten screw (clockwise). Screw should be snug, do not over tighten.
8. Attach manometer to manifold pressure tap to verify it is completely sealed. Manometer should read no pressure when receiver slider switch is moved to ON.



TROUBLESHOOTING

ATTENTION

TROUBLESHOOTING MUST BE PERFORMED BY A QUALIFIED TECHNICIAN.

Before proceeding with the steps in the following troubleshooting guide, verify the power supply (AC/DC adapter or Fan Control Module) is present and receiver batteries and/or battery pack are fresh and installed with correct polarity.

Make sure all connections between wire harnesses and system components are proper and positive.

Make sure communication link between transmitter and receiver is established.

Verify inlet pressure meets the recommended inlet pressure. If necessary adjust line pressure regulator.

PILOT WILL NOT LIGHT / STAY LIT

- Electrical power interrupted or disconnected. Restore electrical power to fireplace or use battery back-up. Ensure batteries are fully charged if using battery back-up as power source.
- Verify gas supply is turned on. Check remote shut-off valves from fireplace. Usually there is a valve near the main. There may be more than (1) valve between the fireplace and the main.
- Low gas pressure. Low gas pressure can be caused by several situations such as a bent line, too narrow diameter pipe, or low line pressure. Consult with plumber or gas supplier.
- No LP in tank. Check LP (propane) tank. Refill if necessary.
- Wiring disconnection. Use wiring schematic in this manual to determine that all wiring connections are secure and correct.
- Pilot flame not making contact with flame rectification sensor on pilot assembly. This valve is equipped with a pilot flame adjustment screw. Adjust as necessary.
- Pilot adjustment screw not sealed. Seal pilot adjustment screw. Do not over tighten.

PILOT FLAME ALWAYS ON / WILL NOT EXTINGUISH

- CPI/IPI switch set to CPI position (down). Set switch to IPI position (up).

MAIN FLAME WILL NOT LIGHT

- Remote not working properly. Replace batteries.
- Remote set to thermostat mode and there is no call for heat. Adjust heat setting.
- Thermostat disconnected or set too high. Set thermostat to lower temperature setting.
- Ensure pilot flame will ignite. If not, see pilot flame troubleshooting above.
- Ensure pilot flame is properly located to ignite main flame.
- Plugged main burner orifice.
- Wiring disconnection / improper wiring. Check for faulty or incorrect wiring.
- Verify gas supply is turned on.
- Low gas pressure. Low gas pressure can be caused by several situations such as a bent line, too narrow diameter pipe, or low line pressure. Consult with plumber or gas supplier.

TROUBLESHOOTING

PILOT AND BURNER EXTINGUISH WHILE IN OPERATION

- No LP in tank. Check and refill if necessary.
- Glass frame assembly not installed correctly. Refer to corresponding instructions in this manual.
- Improper vent cap installation. Adjust if necessary.
- Vent cap blockage. Remove debris if necessary.
- Improper pitch on horizontal vent. 1/4" (6mm) rise per foot is required on horizontal venting.
- Inner vent pipe leaking exhaust gases back into firebox. Check for leaks and repair if necessary.
- Excessive draft.

GLASS SOOTING

- Improper glass media placement. Refer to corresponding pages in this installation manual.
- Improper venturi setting. Venturi may need to be opened slightly to allow more air into the gas mix.
- Improper pitch on horizontal venting. 1/4" (6mm) rise per foot required on horizontal venting.

FLAME BURNS BLUE AND LIFTS OFF BURNER

- Improper venturi setting. Venturi may need to be closed slightly.
- Improper vent cap installation. Check for proper vent cap installation.
- Blockage or vent system leaks.

NO REACTION TO COMMAND

- Receiver or transmitter batteries low. Replace batteries.
- No communication between remote control and receiver. Reprogram transmitter to receiver. Follow INITIALIZING THE SYSTEM FOR THE FIRST TIME as outlined in this manual.
- A maximum number of failed ignitions or flame restorations have been reached. Reset DFC control board.
 1. Turn system off by pressing ON/OFF button on transmitter.
 2. After approximately 2 seconds press ON/OFF button on transmitter again.
 3. In manual flame mode, use down arrow button to reduce flame to off, indicated by the word OFF displayed on transmitter LCD screen.
 4. Wait approximately 2 seconds and press up arrow button, the ignition sequence will start.
 5. With the transmitter off, move slider switch on receiver to OFF position.
 6. Wait approximately 2 seconds and move receiver switch to ON position.

CONVERSION KIT INSTRUCTIONS

#NCK-MPS-S NAT GAS CONVERSION KIT / #LCK-MPS-S LP GAS CONVERSION KIT

WARNING

This conversion kit shall be installed by a qualified service agency in accordance with the manufacturers instructions and all applicable codes and requirements of the authority having jurisdiction. If the information in these instructions is not followed exactly, a fire, explosion or productions of carbon monoxide may result, causing property damage, personal injury or loss of life. The qualified service agency is responsible for proper installation of this kit. The installation is not proper and complete until operation of the converted appliance is checked as specified in the manufacturer's instructions supplied with the kit. Refer to appliance owner's manual or product data plate for proper inlet and manifold pressure adjustments and orifice sizing.

Kit includes: (1) Gas Conversion Label (1) Pilot Injector NAT #51 / LP #35 (1) Gas Label
(1) Burner Orifice: NAT #42 / LP #53 (1) Step Motor Pressure Regulator

CAUTION

THE GAS SUPPLY SHALL BE SHUT OFF PRIOR TO DISCONNECTING THE ELECTRICAL POWER, BEFORE PROCEEDING WITH THE CONVERSION.

WARNING

SHUT OFF GAS SUPPLY AND ELECTRIC POWER TO FIREPLACE.
SHUT OFF GAS SUPPLY BEFORE DISCONNECTING ELECTRIC POWER.

IMPORTANT

For high altitude installations: Above 2000ft. (610m) US / 4500ft. (1372m) Canada, consult the local gas distributor or authority having jurisdiction for proper de-rating methods.

PREPARE THE FIREPLACE:

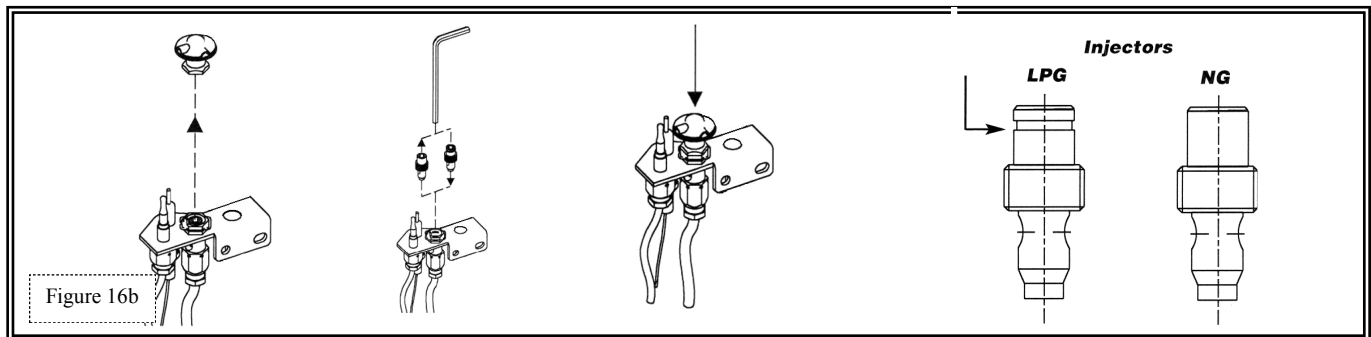
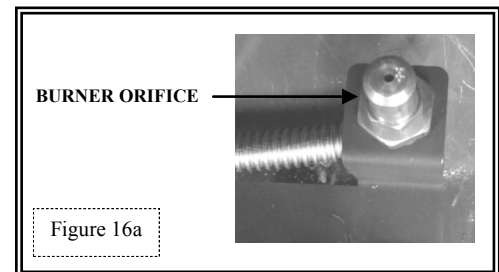
Remove screen front, glass frame assembly, glass media and media retainer from insert.

REPLACE BURNER ORIFICE:

1. Remove burner (secured with 2 screws).
2. Remove existing orifice cap. Replace with orifice cap included with kit, making sure to tighten cap securely (Number stamped on orifice).

NAT. GAS: #42 orifice

L.P. GAS: #53 orifice



CONVERT PILOT ASSEMBLY:

1. Remove pilot hood by pulling it directly up from pilot bracket.
2. Insert 5/32" (4mm) hex key into hexagon key-way of injector, turn counter clockwise to remove from injector journal.
3. Place hex key into end of injector included with kit, install into injector journal, turning clockwise to a recommended torque of 9 lb-in. (1.0 Nm) is achieved. (LP injectors have groove around top, Nat injectors do not. Numbers are stamped on pilot injectors).
NAT: #51 / LP: #35
4. Align tab on base of pilot hood with slot in side of pilot journal. Push hood down, directly into pilot bracket. Hood must sit squarely for proper operation.

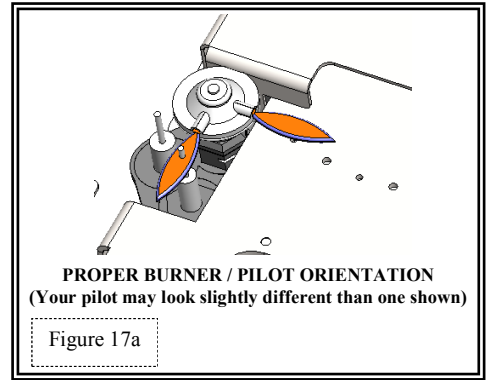
CONVERSION KIT INSTRUCTIONS

CONVERT THE GAS CONTROL VALVE:

Follow stepper motor pressure regulator instruction sheet included with conversion kit to convert gas valve. (LP or NAT marked on stepper motor pressure regulator).

COMPLETE THE CONVERSION:

1. Adjust burner tube venturi to correct setting by loosening screws adjusting cap and retightening screw.
CORRECT SETTINGS: NAT: 1/16" (2mm) open / L.P: 5/8" (16mm) open
2. Re-install burner into fireplace, making sure orifice is properly seated inside burner venturi and lip on burner front is seated inside firebox. Secure with (2) screws previously removed.
3. Re-install glass media retainer along front side of burner.
4. Re-install glass media.
5. Turn on gas and electrical supplies. Check for leaks at all connections with soapy water, whether field or factory made.
6. Test inlet pressure. Page 13. Visually check pilot flame. Flame should envelope top of flame sensor and extend onto burner far enough for proper ignition. To Adjust pilot: Turn pilot adjustment screw clockwise to decrease or counter-clockwise to increase pilot flame.
7. Turn fireplace off.
8. Affix gas type sticker to label.
9. Re-install glass frame and screen front assemblies.
10. Verify proper ignition and operation of fireplace.
11. Complete and affix 'Gas Conversion' label to outer wrap close to gas valve.



Fireplace Model No.: _____
 This appliance and control was converted on _____ to _____ gas with Kit No.: _____ by _____
 Company: _____
 Address: _____
 Which accepts responsibility that this conversion has been properly made.
 Minimum / Maximum inlet pressures: Refer to rating plate
 Manifold Pressure: Refer to rating plate.
 Orifice size: _____ Input Rating: _____ BTU
 Complete and affix as close as possible to rating plate.

**GAS CONVERSION LABEL
 (included with conversion kit)**

Figure 17b

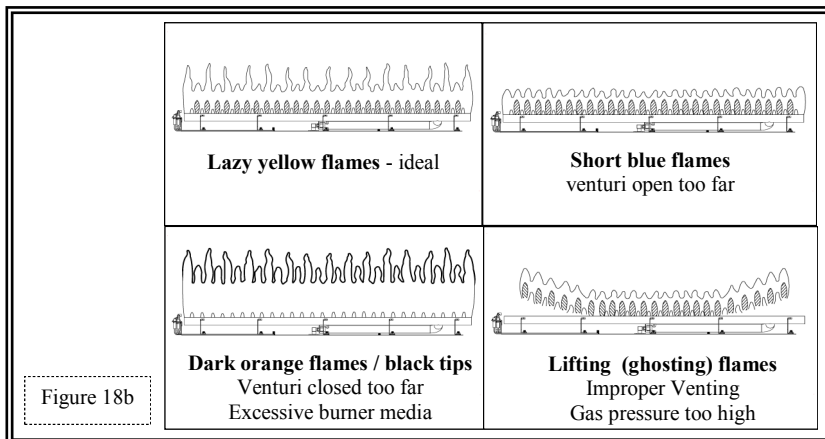
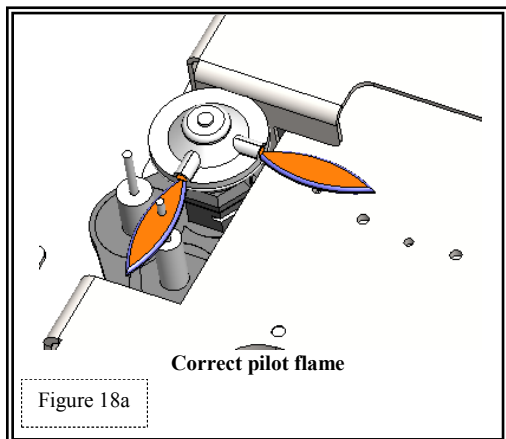
	<u>NATURAL GAS</u>	<u>LP GAS</u>
MINIMUM INLET GAS PRESSURE	5" WC (1.25 kPa) (7" WC (1.74 kPa) recommended)	11" WC (2.74 kPa) (recommended)
MAXIMUM INLET GAS PRESSURE	10.5" WC (2.62 kPa)	13" WC (3.24 kPa)
MANIFOLD PRESSURE (HI)	3.5" WC (.87 kPa)	10" WC (2.49 kPa)
MANIFOLD PRESSURE (LO)	1.6" WC (.40 kPa)	6.4" WC (1.59 kPa)

CONVERSION KIT INSTRUCTIONS

FLAME APPEARANCE:

Flame appearance is affected by several factors including altitude, venting configuration and fuel quality. Although the venturi setting has been factory set, adjustments may be necessary for optimal performance and visual aesthetics.

When fireplace is first lit, the flames will be blue. Flames will gradually turn yellowish-orange during first 15 minutes of operation. If flames remain blue, or become dark orange with evidence of sooting (black tips), the burner tube venturi may need adjustment.



WARNING

Burner tube adjustable venturi positioning should only be performed by a qualified professional service technician.

FACTORY SET BURNER TUBE VENTURI SETTINGS (ADJUST AS NECESSARY FOR YOUR INSTALLATION)

NATURAL GAS	LP (PROPANE) GAS
1/16" (2mm) OPEN	5/8" (16mm) OPEN

BURNER TUBE VENTURI ADJUSTMENT GUIDELINES

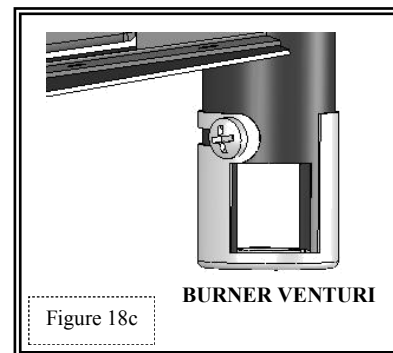
VENTURI POSITION	FLAME COLOR	VENTURI ADJUSTMENT
Closed too far	Dark orange flame with black tips	Open venturi setting slightly
Open too far	Blue flames	Close venturi setting slightly

IMPORTANT

SLIGHT ADJUSTMENTS TO BURNER VENTURI OPENING CREATE DRAMATIC RESULTS. ADJUST AT SLIGHT INCREMENTS UNTIL DESIRED LOOK IS ACHIEVED. ALWAYS BURN FIREPLACE FOR AT LEAST 15 MINUTES AND ALLOW TIME TO COOL BEFORE MAKING ANY FURTHER ADJUSTMENTS.

TO ADJUST VENTURI:

1. Remove screen front and glass frame assembly.
2. Remove glass media.
3. Remove burner assembly.
4. Loosen screw on burner venturi and adjust as necessary. Tighten screws.
5. Reinstall all components previously removed.
6. Light fireplace and wait 15 minutes before determining if any further adjustments are needed.



MAINTENANCE

The appliance is required to be inspected at least once a year by a professional service person.

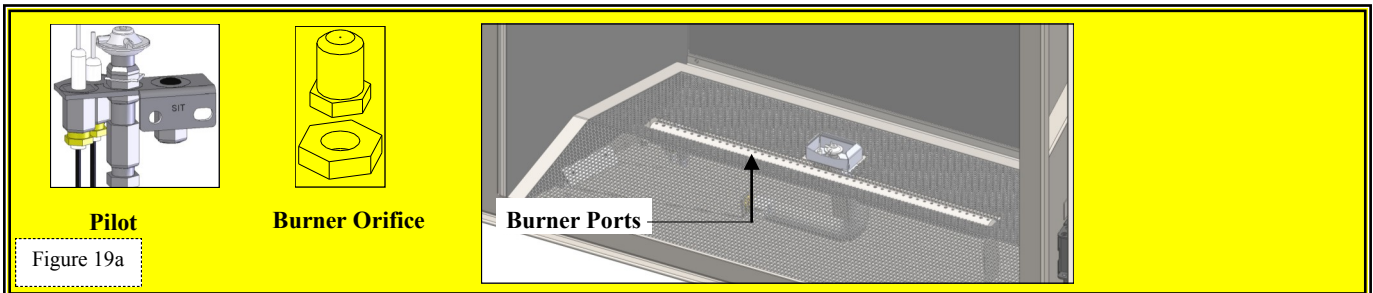
The compartment below firebox must be cleaned at least once a year, more frequent cleaning may be required due to excessive lint from carpeting, bedding materials, or other fibrous materials. Use a vacuum to clean all components at least once a year.

NOTE

INSTALLATION AND REPAIR SHOULD BE DONE ONLY BY QUALIFIED SERVICE PERSON. THE APPLIANCE SHOULD BE INSPECTED BEFORE USE AND ANNUALLY BY A QUALIFIED SERVICE PERSON. MORE FREQUENT CLEANING MAY BE REQUIRED DUE TO EXCESSIVE LINT FROM CARPETING, BEDDING MATERIALS, ETC. IT IS IMPERATIVE THAT CONTROL COMPARTMENTS, BURNERS AND CIRCULATION AIR PASSAGEWAYS OF THE APPLIANCE BE KEPT CLEAN.

CONTROL BOARD SYSTEM

- Annual cleaning of burner system is required. Vacuum all components thoroughly.
- Visually check for blocked port holes, especially near the pilot. Blocked port holes may cause delayed ignition.
- Visually check pilot light and burner when in operation. Flames should be steady, not lifting or floating.



FAN

The fan should be disconnected from electrical current, and cleaned (vacuumed) every six months. The bearings are sealed and require no oiling.

VENT SYSTEM

Annual examination of venting system by a qualified agency is required.

IF VENT-AIR INTAKE SYSTEM IS DISASSEMBLED FOR ANY REASON, RE-INSTALL PER INSTRUCTIONS PROVIDED WITH INITIAL INSTALLATION.

The flow of combustion and ventilation air must not be obstructed.

GLASS CLEANING & REPLACEMENT

- Clean glass only when cool and only with non-abrasive cleansers.
WARNING: DO NOT OPERATE APPLIANCE WITH GLASS/FRAME ASSEMBLY REMOVED, CRACKED OR BROKEN. REPLACEMENT OF THE GLASS SHOULD ONLY BE PERFORMED BY A LICENSED OR QUALIFIED SERVICE PERSON.
- Use protective gloves to handle any broken or damaged glass assembly components.
- The glass assembly, part #JOR-057T, shall only be replaced as a complete unit, as supplied by Hussong Mfg. Co., Inc.
- Replacement of glass & frame assembly, part #JOR-057T, must only be performed by a licensed or qualified service person.
DO NOT SUBSTITUTE MATERIALS.
- Do not strike or slam glass door assembly.

IMPORTANT

ANY SAFETY SCREEN OR GUARD REMOVED FOR SERVICING MUST BE REPLACED PRIOR TO OPERATING THE APPLIANCE.

CAUTION

LABEL ALL WIRES PRIOR TO DISCONNECTION WHEN SERVICING CONTROLS. WIRING ERRORS CAN CAUSE IMPROPER AND DANGEROUS OPERATION. VERIFY PROPER OPERATION AFTER SERVICING.

KEEP APPLIANCE AREA CLEAR OF COMBUSTIBLE MATERIALS, SUCH AS GASOLINE AND OTHER FLAMMABLE VAPORS AND LIQUIDS.

REPLACEMENT PARTS LIST

Replacement parts are available through your local dealer. Contact them for availability and pricing.

CONTROL BOARD AND PARTS

MPS-100	Control Board - Nat Gas	700-168	#35 LP Gas Pilot Orifice
MPS-101	Control Board - LP Gas	700-503	Valve Step Motor - Natural Gas
700-557	SIT IPI Valve - Natural	700-503-1	Valve Step Motor - LP Gas
700-557-1	SIT IPI Valve - LP	700-203	Manual Shut-off Valve
700-552	Proflame DFC Board	700-213B	18" Flexible Gas Line-Black
700-553	DFC Wire Harness Assembly	700-226	Flexible Gas Line-Valve to Burner Connection
700-551	Pilot Assembly - Natural Gas	700-242	Natural Gas Orifice #42
700-551-1	Pilot Assembly - LP Gas	700-253	LP Gas Orifice #53
700-308R	Receiver	NCK-MPS-S	Natural Gas Conversion Kit
700-558	GTMFS Wire Harness	LCK-MPS-S	LP Gas Conversion Kit
700-130	Fan Control Module	MPS-135	Burner Assembly
700-308	Transmitter	700-992	Pilot Igniter (with wire)
700-296	#51 Natural Gas Pilot Orifice	700-993	Pilot Flame Sensor (with wire)

GLASS & GLASS GASKET

JOR-005	Replacement Valance
900-006	1-1/8" Glass Gasket w/ Adhesive
JOR-057T	Valance with 25-5/8" x 17-1/2" glass

FIREBOX LINER SET (Black)

RFD-B-900	(3 pc.) Firebox Liner Set
RFD-B-900B	Back Firebox Liner Panel
RFD-B-G900L	Left Side Firebox Liner Panel
RFD-B-900R	Right Side Firebox Liner Panel

GLASS MEDIA KIT (black)

113-BLK	Black Glass Media Kit
---------	-----------------------

FAN KIT

JOR-028	Fan Kit
---------	---------

Hussong Manufacturing Co., Inc.
P.O. Box 577
204 Industrial Park Drive
Lakefield, MN 56150-0577
USA

MPS-30

www.kozyheat.com