



**MINIMUM FIREPLACE DIMENSIONS**

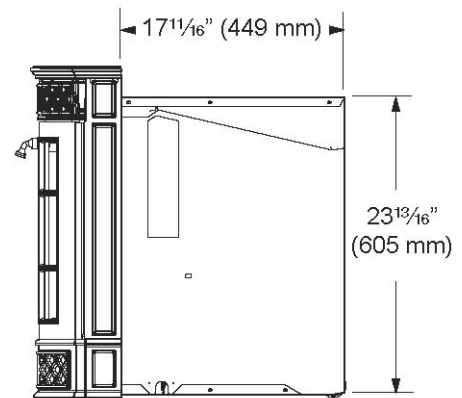
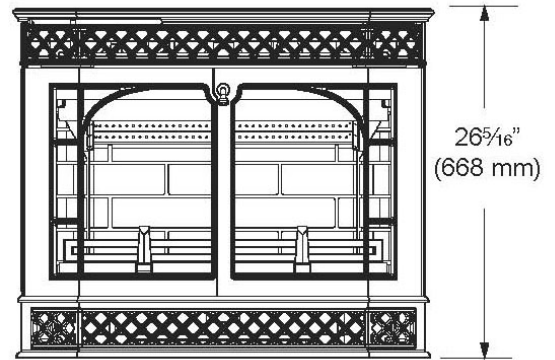
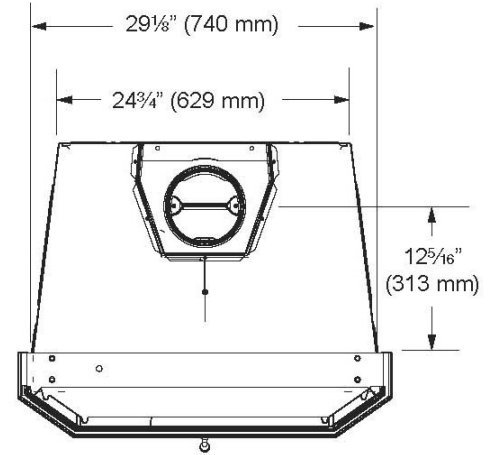
Height: 23 3/4 (603 mm)  
Width Front: 29 3/4" (756 mm)  
Depth: 18 1/2" (470 mm)

**TECHNICAL INFORMATION**

EPA Emissions Rating: 3.6 g/hr  
EPA Rated Heat Output: 10,750 -31,780 BTU/hr  
Maximum Heat Output: 55,000 BTU/hr  
Area Heated: up to 2,000 sq. ft..  
Length of Wood Splits: up to 22" (560 mm)  
Fuel Capacity: 40 lbs. (218 kg)  
Loading: Front  
Flue Size: 6" (150mm)  
Fireplace Insert Weight: 480 lbs. (218 kg)  
Glass Panel: High-temperature ceramic  
Flue Exit Position: Top  
Blower Rating: 150 cfm. (115V, 60Hz)  
Power Cord Length: 6 foot useable installed

**FIELD INSTALLED ACCESSORIES**

Choice of Classic Black or Ebony  
3" Extension Package #M3PKCB  
DIY Inside Fit Surround Kit  
Extended Trim Plate #LHE30TCK  
Five Surround style options



A Brand of Monessen Hearth Systems Co.  
149 Cleveland Drive, Paris, Kentucky 40361  
[www.vermontcastings.com](http://www.vermontcastings.com)

To avoid personal injury or property damage, the product described by this brochure must be installed, operated and maintained in strict compliance with the instructions packaged with the product and all applicable building or fire codes. Contact local building or fire officials about restrictions and installation inspection requirements. All photographs and drawings on this brochure are for illustrative purposes only and are not intended for, nor should they be used as a substitute for the instructions packaged with the unit. Appearance and specifications of the product are subject to change without notice. © 2010 Monessen Hearth Systems Co.