



# Intrigue Series

Direct Vent Gas Fireplaces

**Models: #INT-100  
#INT-200**

**INSTALLER: LEAVE THIS MANUAL WITH THE APPLIANCE.  
CONSUMER: RETAIN THIS MANUAL FOR FUTURE REFERENCE.**

**This appliance may be installed in an aftermarket permanently located, manufactured home (USA only) or mobile home where not prohibited by local codes.**

**This appliance is only for use with the type of gas indicated on the rating plate. This appliance is not convertible for use with other gases, unless a certified kit is used.**

**WARNING: If the information in these instructions is not followed exactly, a fire or explosion may result, causing property damage, personal injury or loss of life.**

**– Do not store or use gasoline or other flammable vapors and liquids in the vicinity of this or any other appliance.**

#### **WHAT TO DO IF YOU SMELL GAS:**

- ☑ **Do not light any appliance.**
- ☑ **Do not touch any electrical switch: do not use any phone in your building.**
- ☑ **Immediately call gas supplier from a neighbors phone. Follow the gas supplier instructions.**
- ☑ **If you cannot reach your gas supplier, call the fire department.**

**– Installation and service must be performed by a qualified installer, service agency or the gas supplier.**



# WARNING



**HOT GLASS WILL CAUSE BURNS.  
DO NOT TOUCH GLASS UNTIL COOLED.  
NEVER ALLOW CHILDREN TO TOUCH GLASS.**



Report No. 216-S-35-6.5

# TABLE OF CONTENTS

<u>TABLE OF CONTENTS</u>	
Table of Contents	1
<u>SAFETY INFORMATION</u>	
Safety Information	2
<u>COMMONWEALTH OF MASSACHUSETTS INFORMATION</u>	
Commonwealth of Massachusetts Information	3
<u>SPECIFICATIONS</u>	
Fireplace Dimensions	4
Clearances	4
Components List	5
Installation Overview	5
Placement Clearance Requirements	5
<u>PREPARE THE FIREPLACE</u>	
Stand-Off Assembly & Installation	6
Horizontal Vent Heat Shield Installation	7
Nailing Flange Assembly & Installation	7
<u>FRAMING</u>	
Wall Enclosure Rough Opening	8
Minimum Finished Opening Dimensions	8
Horizontal Terminations	9
Vertical Terminations	9
<u>TYPICAL INSTALLATION OPTIONS</u>	
Typical Installation Options	10
<u>MANTEL REQUIREMENTS</u>	
Mantel Requirements	11
<u>GLASS FRAME ASSEMBLY</u>	
Glass Frame Assembly Removal	11
Glass Frame Assembly Installation	11
<u>GAS LINE CONNECTION</u>	
Gas Line Connection	12
<u>LIGHT KIT COMPONENTS INSTALLATION (INT-200)</u>	
Light Kit Components Installation (INT-200)	12
<u>VENTING</u>	
Approved Venting	13
Horizontal Vent System Clearances	13
Horizontal Termination Minimum / Maximum	13
Elbows	13
Horizontal Venting Illustrations	14
Vertical Vent System Clearances	15
Restrictor	15
Horizontal / Vertical Combination Venting	15
Vertical Illustrations	16

<u>VENTING (cont.)</u>	
Restrictor Installation	16
Horizontal & Vertical Combination Venting Illustration	17
Termination Vent Cap Location	18
Vent Termination Clearances	19
<u>LOG SET INSTALLATION</u>	
Log Set Installation	20
<u>CONTROL BOARD</u>	
Control Board Removal	21
Control Board Installation	22
<u>GRILL SET</u>	
Grill Set Installation	23
Grill Set Removal	23
<u>OPERATING INSTRUCTIONS</u>	
Wiring Schematics	24
Valve and Pilot Assembly Components	25
Control Module Components	26
Remote Control Components	27
Information and Remote Control Operation	28-31
Lighting and Shutdown	32-33
Pressure Testing	34
Error Codes	35
<u>FINALIZING THE INSTALLATION</u>	
Burner Tube Adjustment / Troubleshooting	36
Restrictor Troubleshooting / Installation after Termination Completion	37
<u>MAINTENANCE</u>	
Maintenance	38
<u>TROUBLESHOOTING</u>	
Troubleshooting	39-40
<u>CONVERSION KIT INSTRUCTIONS</u>	
Conversion Kit Instructions	41-42
<u>#INT-060 OPTIONAL UPGRADE KIT FOR INT-100</u>	
#INT-060 Optional Upgrade Kit for INT-100	43-44
<u>REPLACEMENT PARTS LIST</u>	
Replacement Parts List	45
<u>WARRANTY</u>	
Warranty	46-47

# SAFETY INFORMATION

This fireplace has been tested to and complies with ANSI Z21.88-2009 / CSA 2.33-2009 "VENTED GAS FIREPLACE HEATERS" and Testing Method for Measuring Annual Efficiency, CSA P.4.1-09 by OMNI-Test Laboratories, Portland, OR. Installation must conform with local building codes or in the absence of local building codes, with the National Fuel Gas Code, ANSI Z223.1/NFPA 54 - Current Edition, or the Natural Gas and Propane Installation Code, CSAB149.1

- Installation and repair should be done only by a qualified service person. The appliance should be inspected by a qualified service person before use. Annual inspection by a qualified service person is required to maintain warranty. More frequent cleaning may be required due to excessive lint from carpeting, bedding materials, etc. It is imperative that control compartments, burners and circulation air passageways of the appliance be kept clean.
- If this appliance is installed directly on carpeting, tile or other combustible material other than wood flooring, the appliance shall be installed on a metal or wood panel extending the full width and depth of the appliance.
- Children and adults should be alerted to the hazards of high surface temperatures and should stay away to avoid burns or clothing ignition.
- Young children should be carefully supervised when they are in the same room as the appliance. Toddlers, young children and others may be susceptible to accidental contact burns. A physical barrier is recommended if there are at risk individuals in the house. To restrict access to a fireplace or stove, install an adjustable safety gate to keep toddlers, young children and other at risk individuals out of the room and away from hot surfaces.
- Clothing or other flammable material should not be placed on or near the appliance.
- Adequate accessibility clearances for servicing and proper operation must be maintained.
- This appliance must not share or be connected to a chimney flue serving any other appliance.
- Keep area around the appliance clear of combustible materials, gasoline and other flammable vapor and liquids.
- The flow of combustion and ventilation air must not be obstructed.
- Due to high temperatures the appliance should be located out of traffic and away from furniture and draperies.
- The glass front or any part removed for servicing the appliance must be replaced prior to operating the appliance. Work should be done by a qualified service technician.
- Clean glass only when cool and only with non-abrasive cleansers.
- **WARNING: DO NOT OPERATE APPLIANCE WITH THE GLASS/FRAME ASSEMBLY REMOVED, CRACKED OR BROKEN. REPLACEMENT OF THE GLASS SHOULD ONLY BE PERFORMED BY A LICENSED OR QUALIFIED SERVICE PERSON.**
- The glass assembly, Part #INT-057T, shall only be replaced as a complete unit, as supplied by Hussong Mfg. Co., Inc. DO NOT SUBSTITUTE MATERIALS.
- Do not strike or slam glass assembly.
- Any safety screen or guard removed for servicing the appliance must be replaced prior to operating the appliance.
- Under no circumstances should any solid fuel (wood, coal, paper or cardboard etc.) be used in this appliance.
- Keep burner and control compartment clean.
- Do not use this fireplace if any part has been under water. Immediately call a qualified service technician to inspect this appliance and to replace any part of the control system and any gas control which has been under water.

# COMMONWEALTH OF MASSACHUSETTS REQUIREMENTS



**NOTE: The following requirements reference various Massachusetts and national codes not contained in this manual.**

For all sidewall horizontally vented gas fueled equipment installed in every dwelling, building or structure used in whole or in part for residential purposes, including those owned or operated by the Commonwealth and where the side wall exhaust vent termination is less than (7) feet above finished grade in the area of the venting, including but not limited to decks and porches, the following requirements shall be satisfied:

## INSTALLATION OF CARBON MONOXIDE DETECTORS

At time of installation of side wall horizontally vented gas fueled equipment, the installing plumber or gas-fitter shall observe that a hard wired carbon monoxide detector with an alarm and battery back-up is installed on the floor level where the gas equipment is to be installed. In addition, the installing plumber or gas-fitter shall observe that a battery operated or hard wired carbon monoxide detector is installed on each additional level of the dwelling, building or structure served by the side wall horizontal vented gas fueled equipment. It shall be the responsibility of the property owner to secure the services of qualified licensed professionals for the installation of hard wired carbon monoxide detectors.

In the event that the side wall horizontally vented gas fueled equipment is installed in a crawl space or attic, the hard wired carbon monoxide detector with alarm and battery back-up may be installed on the next adjacent floor level.

In the event that the requirements of this subdivision can not be met at the time of completion of installation, the owner shall have a period of thirty (30) days to comply with the above requirements; provided, however, that during said thirty (30) day period, a battery operated carbon monoxide detector with an alarm shall be installed.

## APPROVED CARBON MONOXIDE DETECTORS

Each carbon monoxide detector as required in accordance with the above provisions shall comply with NFPA 720 and be ANSI/UL 2034 listed and IAS certified.

## SIGNAGE

A metal or plastic identification plate shall be permanently mounted to the exterior of the building at a minimum of eight (8) feet above grade directly in line with the exhaust vent terminal for the horizontally vented gas fueled heating appliance or equipment. The sign shall read, in print no less the one-half inch (1/2) in size, **“GAS VENT DIRECTLY BELOW. KEEP CLEAR OF ALL OBSTRUCTIONS”**.

## INSPECTION

The state or local gas inspector of the side wall horizontally vented gas fueled equipment shall not approve the installation unless, upon inspection, the inspector observes carbon monoxide detectors and signage installed in accordance with the provisions of 248 CMR 5.08 (2) (a) 1 through 4.

## EXEMPTIONS

The following equipment is exempt from 248 CMR 5.08 (2) (a) 1 through 4: The equipment listed in Chapter 10 entitled “Equipment Not Required To Be Vented” in the most current edition of NFPA 54 as adopted by the Board; and Product Approved side wall horizontally vented gas fueled equipment installed in a room or structure separate from the dwelling, building or structure used in whole or in part for residential purposes.

## MANUFACTURER REQUIREMENTS - GAS EQUIPMENT VENTING SYSTEM PROVIDED

When the manufacturer of Product Approved side wall horizontally vented gas equipment provides a venting system design or venting system components with the equipment, the instructions provided by the manufacturer for installation of the equipment and the venting system shall include:

Detailed instructions for the installation of the venting system design or the venting system components; and

A complete parts list for the venting system design or venting system.

## MANUFACTURER REQUIREMENTS - GAS EQUIPMENT VENTING SYSTEM NOT PROVIDED

When the manufacturer of Product Approved side wall horizontally vented gas equipment does not provide the parts for venting the flue gases, but identifies “special venting systems”, the following requirements shall be satisfied by the manufacturer:

The referenced “special venting systems” instructions shall be included with the appliance or equipment installation instructions and;

The “special venting systems” shall be Product Approved by the Board, and the instructions for that system shall include a parts list and detailed installation instructions.

A copy of all installation instructions for all Product Approved side wall horizontally vented gas fueled equipment, all venting instructions, all parts lists for venting instructions, and/or all venting design instructions shall remain with the appliance or equipment at the completion of the installation.

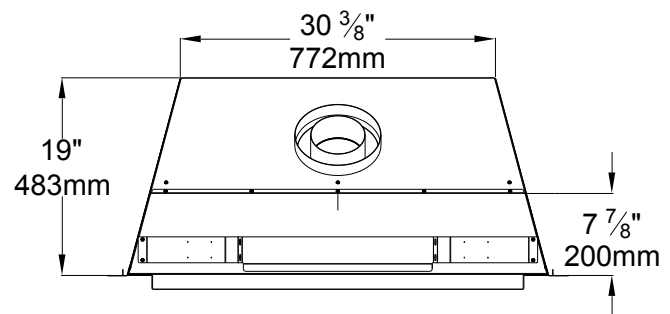
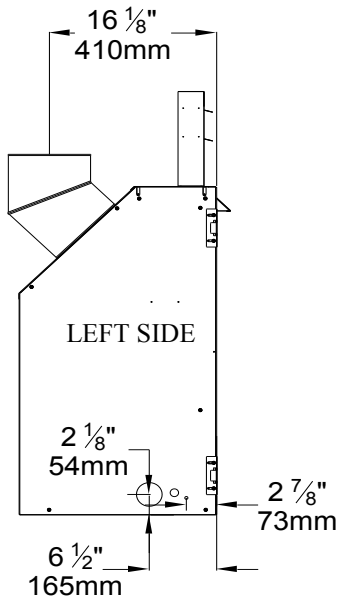
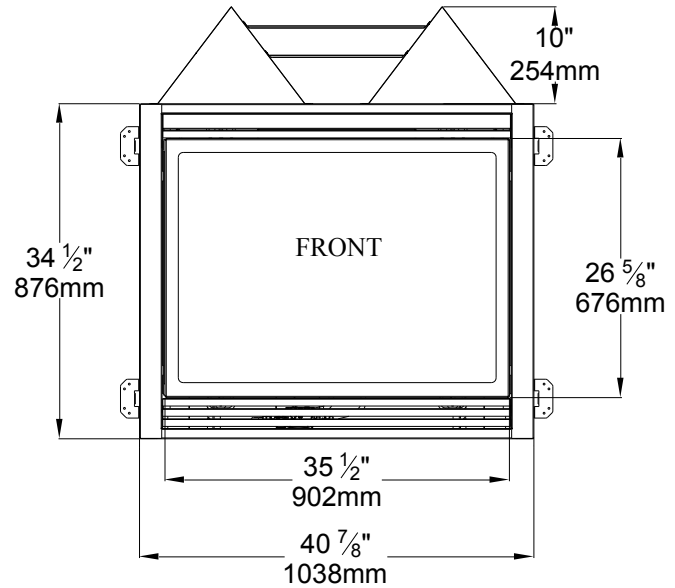
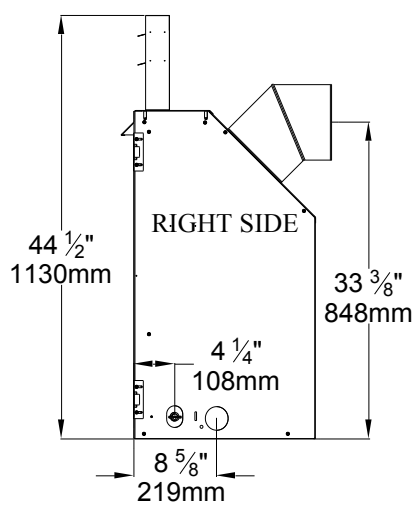
# SPECIFICATIONS

## FIREPLACE DIMENSIONS

	DESCRIPTION	Height	Width	Back Width	Depth	Opening Width	Glass Frame Height	Stand-off Height	Front to Vent Center (Vert. Term.)	Floor to Vent Center (Hor. Term.)	Front to Angled Back
FIREPLACE DIMENSIONS	INCHES	34-1/2	40-7/8	30-3/8	19	35-1/2	26-5/8	10	16-1/8	32-3/8	7-7/8
	MILLIMETERS	876	1038	772	483	902	676	254	410	848	200



**WARNING:** Top stand-off bracket must be attached to fireplace. Do not remove. Stand-off brackets are not load bearing. Non-combustible zone: Stand-offs provide 10" (254mm) minimum clearance to header. Use only non-combustible material in this area for entire width of fireplace. Do not use wood, sheetrock etc. in this zone. Other clearances apply. All clearances must be maintained.



### CLEARANCES

Top of unit face to header (cement board may be used in this area).	10" (254mm)
From unit left & right sides and back	1/2" (13mm)
To flooring	0" (0mm)
Unit top to ceiling	31" (787mm)
Side of unit face to adjacent sidewall	3" (76mm)
Mantel 9" (229mm) deep from top of fireplace	12-1/2" (318mm)
Top of fireplace to 1" (25mm) trim	10" (254mm)

Figure 4a

# SPECIFICATIONS

## INT-100 COMPONENTS LIST

PART NUMBER	DESCRIPTION
INT-600-IPI	IPI Control Board Assembly
700-203	Manual Gas Shut-off Valve
INT-135	Burner Assembly
INT-G900	Refractory Set (back and sides)
INT-500	Log Package
INT-057T	Glass Frame Assembly
OCK-A5163L-I-INT-PSE	LP Conversion Kit
600-002	Double Receptacle Assembly
942-085	5" Restrictor Plate
500-TRF	4 pc. Grill Assembly
INT-208	Remote Control

## INT-200 COMPONENTS LIST

PART NUMBER	DESCRIPTION
INT-600-IPI	IPI Control Board Assembly
700-203	Manual Gas Shut-off Valve
INT-135	Burner Assembly
INT-G900	Refractory Set (back and sides)
INT-500	Log Package
INT-057T	Glass Frame Assembly
OCK-A5163L-I-INT-PSE	LP Conversion Kit
600-002	Double Receptacle Assembly
942-085	5" Restrictor Plate
500-TRF	4 pc. Grill Assembly
INT-208	Remote Control
INT-RLK	Light Kit
INT-028	Fan Kit

## INSTALLATION OVERVIEW



**NOTE: The qualified installer should follow the procedure best suited for the installation.**

1. Frame an opening for the fireplace, allowing for vent installation (top or rear) and type of installation (corner or flat wall application).
2. If masonry (optional) is used, prepare foundation for the masonry load. A lintel is required to support the added weight above fireplace.
3. Attach nailing flanges to fireplace.
4. Insert fireplace into framing.
5. Install hearth (if applicable).
6. Complete electrical hook-up. Install any standard or optional electrical components at this time.
7. Complete gas line installation.
8. Complete venting installation.
9. Secure fireplace to flooring through holes in outer box bottom and to framing with nailing flanges. Verify all clearances at this point.
10. Install facing material, mantel or cabinetry, allowing room for optional full face doors, if applicable.
11. Install logs.
12. Install grills and optional decorative doors / faces.
13. Verify proper operation of fireplace and all components.

## PLACEMENT CLEARANCE REQUIREMENTS

- This fireplace must be installed on a level surface capable of supporting the fireplace and venting.
- Fireplace must be placed directly on wood or non-combustible surface (not linoleum or carpet) extending entire depth and width of fireplace.
- Due to high surface temperatures, fireplace should be located out of traffic and away from furniture and draperies.
- This fireplace may be installed in a bedroom.
- Please be aware of the large amount of heat this fireplace will produce when determining a location.

# PREPARE THE FIREPLACE

## STAND-OFF ASSEMBLY & INSTALLATION

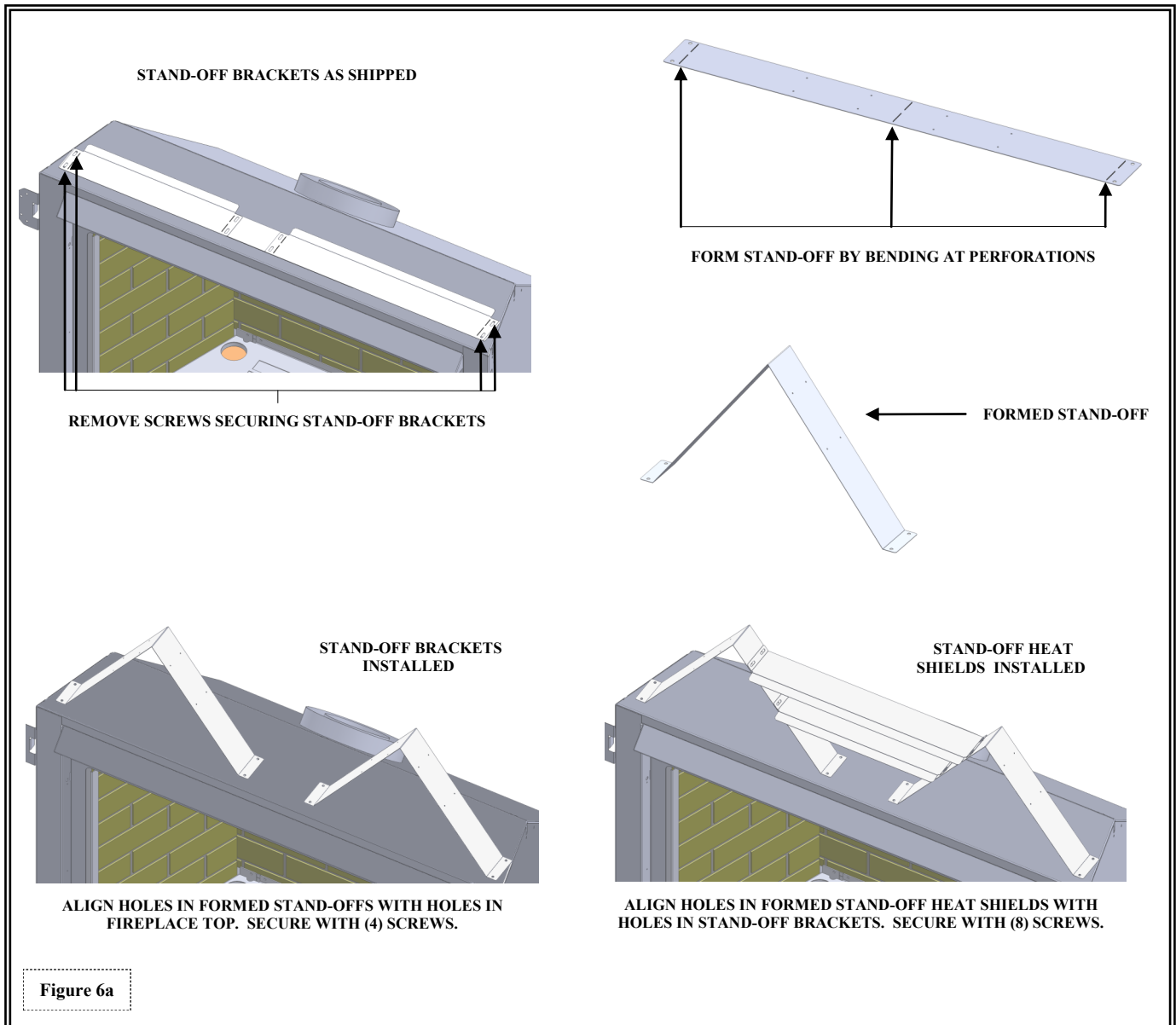


**WARNING:** Top stand-off brackets and stand-off heat shields must be attached to fireplace. Do not remove. These items are not load bearing.

**Non-combustible zone:** Stand-offs provide 10" (254mm) minimum clearance to header. Use only non-combustible material in this area for entire width of fireplace. Do not use wood, sheetrock etc. in this zone. Other clearances apply. All clearances must be maintained.

Top stand-off brackets and stand-off heat shields are attached to fireplace top in a flat state for shipping.

1. Remove and save (4) screws securing stand-off heat shields and stand-off brackets, and (4) screws located under these items.
2. Form stand-off brackets as shown and re-attach to fireplace using screws previously removed.
3. Form stand-off heat shields and attach to stand-off brackets using (8) screws provided in components packet. (Stand-off heat shield flanges face up and to front of fireplace).



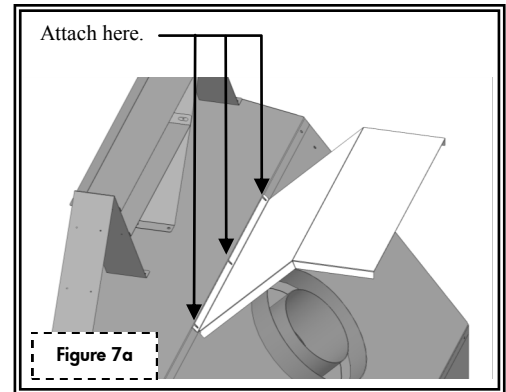
# PREPARE THE FIREPLACE

## HORIZONTAL VENT HEAT SHIELD INSTALLATION



**IMPORTANT:** The horizontal vent heat shield must be installed when using a 45-degree elbow to horizontally position the vent system.  
**EXCEPTION:** Corner installations

1. Loosen, but do not remove center three screws at back of fireplace as shown.
2. Bend horizontal heat shield at perforation to a 45° angle. Slide (3) slots on horizontal vent heat shield under loosened screws. Re-tighten screws.



## NAILING FLANGE ASSEMBLY & INSTALLATION

1. Remove (4) nailing flanges from fireplace sides.
2. With the 1/2" (13mm) stand-offs on nailing flanges facing away from fireplace, align nailing flange with holes on outside corners of fireplace. Secure with screws through slots in nailing flanges (additional screws provided in components packet).
3. Bend perforation on nailing flange until parallel with fireplace face. Do not bend toward fireplace face.
4. Position framing stud against 1/2" (13mm) stand-off (located on backside of nailing flange). Secure with nails or screws.

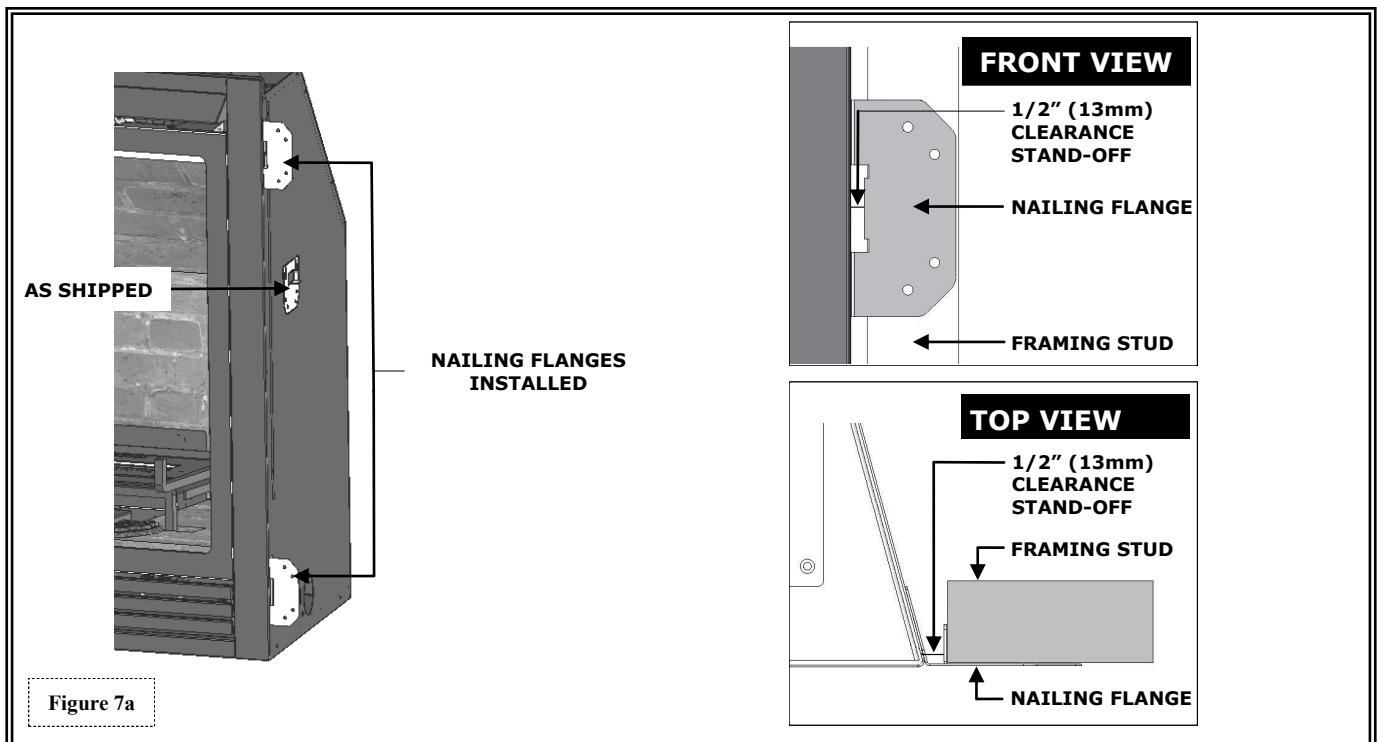


**NOTE:** Depending on facing material, tabs can be adjusted forward or back up to 1/2" (13mm).



**CAUTION:** NEVER PERMANENTLY REMOVE THESE ASSEMBLIES FROM FIREPLACE - THEY MUST BE SECURED IN PLACE REGARDLESS OF FINISH MATERIAL USED.

When installed, nailing flanges provide minimum 1/2" (13mm) clearance from fireplace sides.



# FRAMING

## WALL ENCLOSURE ROUGH OPENING



**IMPORTANT:** Framing dimensions should allow for wall covering thickness and fireplace facing materials. If using a hearth, adjust rough opening size as necessary to maintain at least minimum clearance requirements.

**IMPORTANT:** Non-combustible facing material may be applied over (but not directly to) fireplace face. This will prevent facing material from falling off due to heat expansion. Do not obstruct the flow of ventilation air.

## MINIMUM FINISHED OPENING DIMENSIONS

**HORIZONTAL TERMINATION:** 44-1/2" (1130mm) High x 41-3/8" (1051mm) Wide x 21-1/2" (546mm) Deep.  
1/2" (13mm) clearance at back and sides of fireplace must be maintained.

**VERTICAL TERMINATION:** 44-1/2" (1130mm) High x 41-3/8" (1051mm) Wide x 21-1/2" (546mm) Deep.  
1/2" (13mm) clearance at back and sides of fireplace must be maintained.

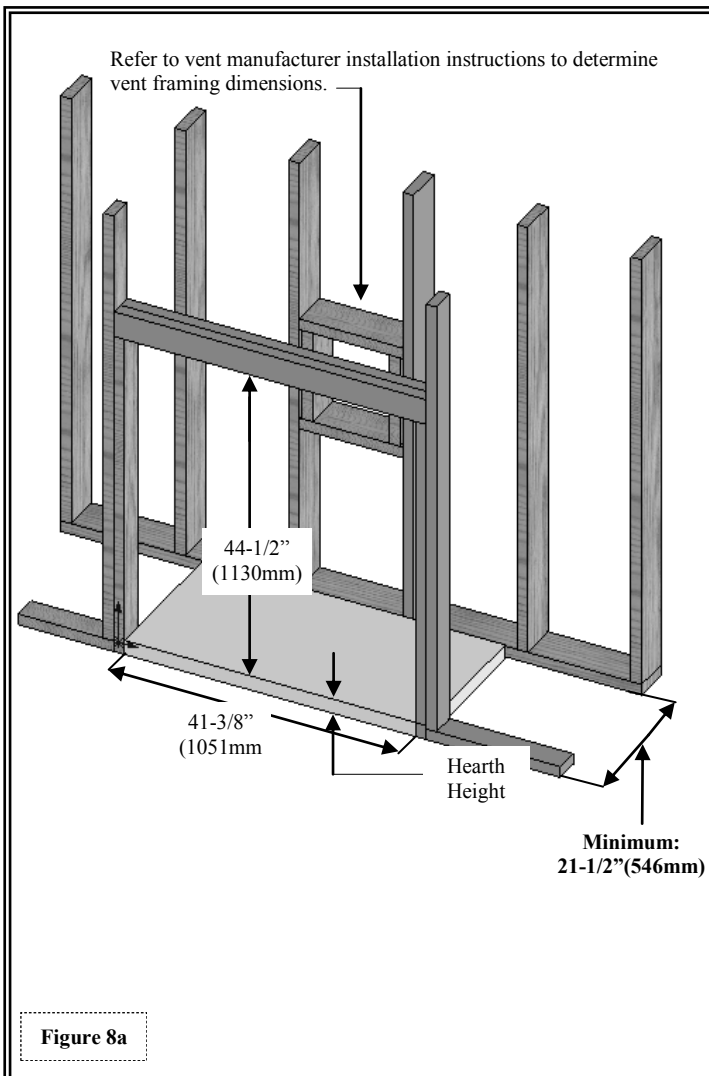


**NOTE:** Provide adequate clearance in front of fireplace to operate lower grill, open and close optional full door face doors, access components, installation of gas line, fan, etc. See Figure 8b.



**WARNING:** Provide adequate clearances around air openings into the combustion chamber.

Do not obstruct upper and lower grill openings. Room air enters through lower passage, is heated and exits through upper passage. Blocking these passages may result in overheating, creating a potentially hazardous situation.



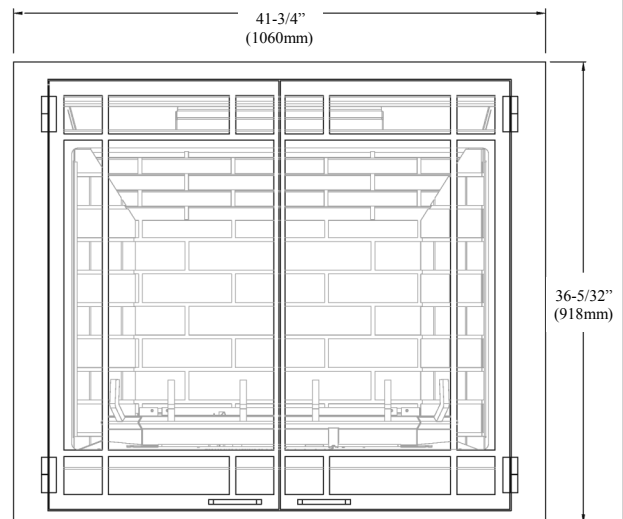
## OPTIONAL FULL DOOR FACE DIMENSIONS

If installing an optional full door face, please refer below for full face dimensions before applying facing material.



**NOTE:** Consider height of hearth finish material (stone, brick, marble etc.) when building fireplace platform. Bottom of fireplace must be level with finished hearth to allow for lower grill operation and proper fit of optional decorative full door faces.

**NOTE:** 1/2" (13mm) side overlap applies to both sides of face. Illustrations show **True Dimensions**. We recommend 1/4" (6mm) clearance on all sides to allow for uneven finish material.



# FRAMING

Determine exact position of your fireplace, including hearth height, width, and depth, (if applicable). If possible, place fireplace in such a manner that vent termination will be placed between two studs, eliminating the need for additional framing.

If masonry is to be used (optional), prepare the necessary foundation for the masonry load. When masonry construction is used, a lintel must be used over top of fireplace to support the added weight.

Build hearth to desired size and height. If a hearth extension is desired, combustible material may be used.



**NOTE:** Consider height of hearth finish material (stone, brick, etc.) when building fireplace platform. Bottom of fireplace must be level with finished hearth to allow for lower grill operation and proper fit of optional decorative full door faces.



**WARNING:** Install fireplace on hard metal or wood surface extending the full width and depth of fireplace. Minimum platform size: 40-7/8" (1038mm) wide x 19" (483mm) deep.



**FIRE HAZARD:** Do NOT install directly on carpeting, vinyl, or any combustible material other than wood.



**IMPORTANT:** Vent cap location must be in compliance with guidelines on page #18 of this manual.

## HORIZONTAL TERMINATIONS

Follow vent pipe manufacturer's installation instructions for horizontal terminations. Include required vent manufacturer's wall pass-thru clearances when determining framing dimensions.

### MINIMUM HORIZONTAL FRAMING DIMENSIONS

	VENT PIPE CENTER (A)	FRAMED OPENING TOP (B)
RIGID PIPE	33-3/8" (848mm)	Per vent manufacturer requirements
FLEX PIPE	36-7/8" (937mm)	Per vent manufacturer requirements

## VERTICAL TERMINATIONS

Follow vent pipe manufacturer's installation instructions for vertical terminations. A minimum 1" (25mm) clearance on all sides of vertical vent pipe must be maintained.



**NOTE:** The included Horizontal Vent Heat Shield is not used for vertical configurations.

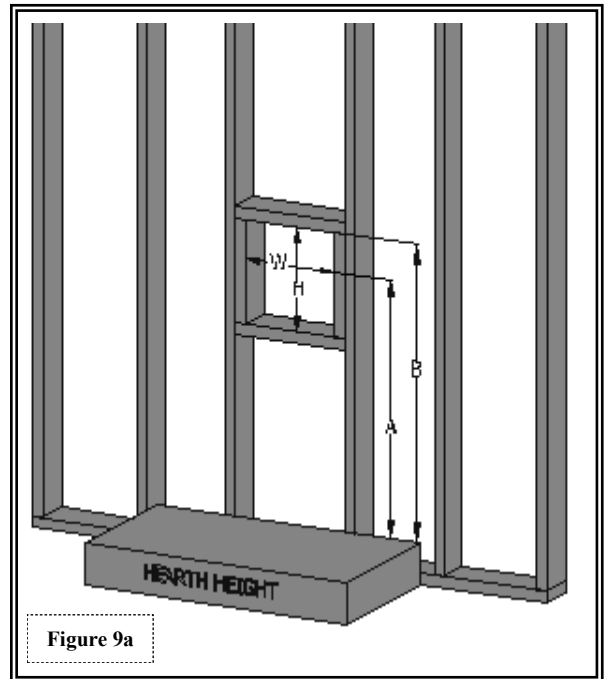


Figure 9a



**CAUTION:** Cold air transfer area. The surrounding fireplace chase must comply with all clearances as outlined in this manual and be constructed in compliance with local building codes. Outside walls should be insulated to prevent cold air from entering room.



**CAUTION:** Due to high temperatures, this fireplace should be located out of traffic areas and away from furniture and draperies.

# TYPICAL INSTALLATION OPTIONS



**IMPORTANT:** The horizontal heat shield included with this fireplace must be installed when using a 45-degree elbow directly off top of unit to horizontally position vent system. **EXCEPTION:** Corner installations.



**NOTE:** HORIZONTAL VENT HEAT SHIELD NOT SHOWN FOR CLARITY PURPOSES ONLY.

## TYPICAL HORIZONTAL INSTALLATION

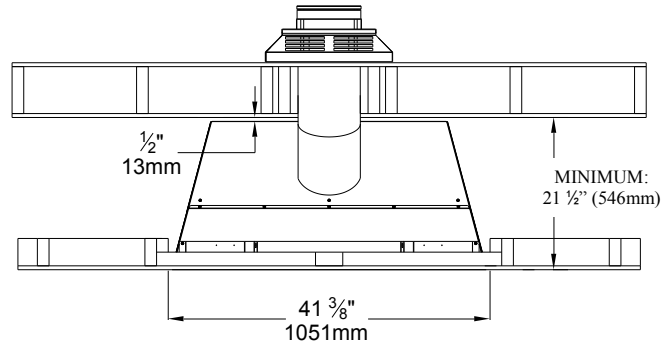


Figure 10a

## TYPICAL CORNER INSTALLATION

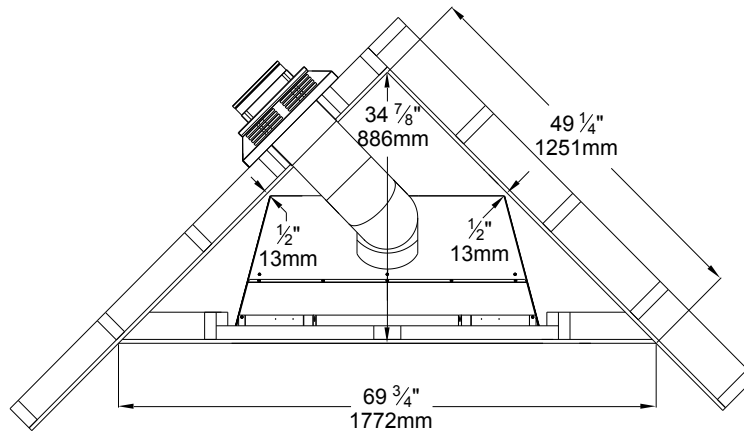


Figure 10b

## TYPICAL VERTICAL INSTALLATION

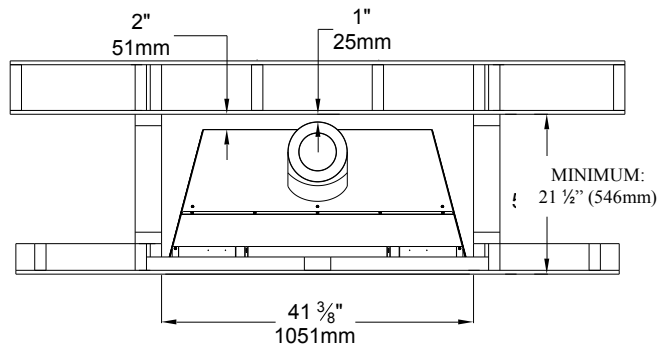


Figure 10c

# MANTEL REQUIREMENTS

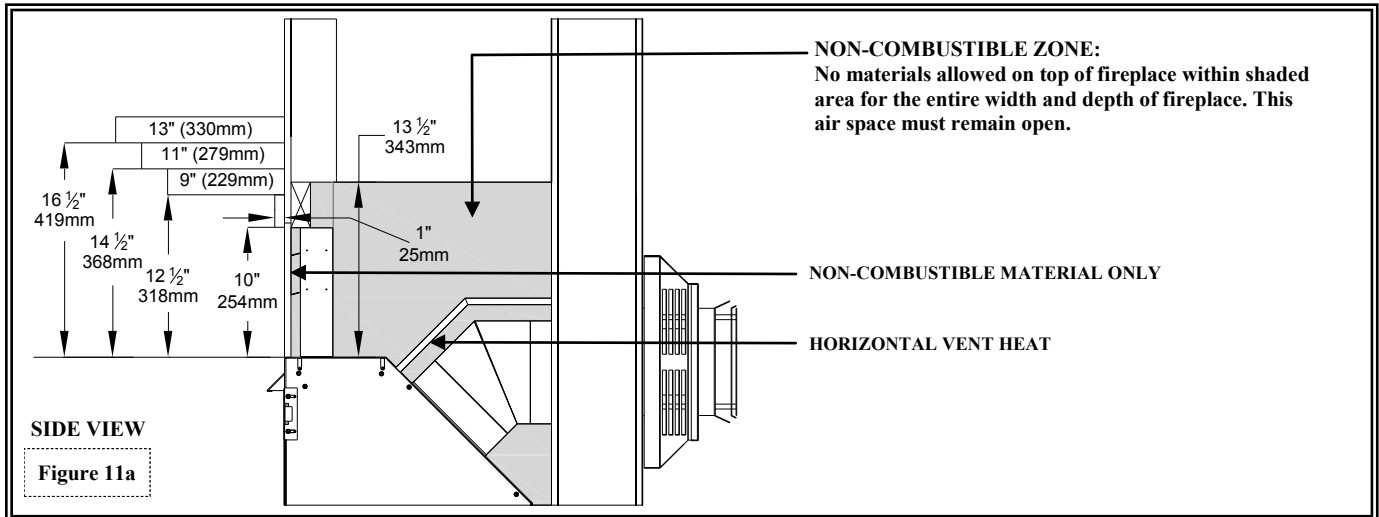


**WARNING: TOP STAND-OFF BRACKETS MUST BE ASSEMBLED AND ATTACHED TO FIREPLACE. DO NOT REMOVE. STAND-OFF BRACKETS ARE NOT LOAD BEARING.**

## NON-COMBUSTIBLE ZONE:

**Rigid pipe:** 1" (25mm) above elbow for entire width and depth (behind header) of fireplace.

**Flexible venting:** 1" (25mm) above elbow for entire width and depth (behind header) of fireplace.



# GLASS FRAME ASSEMBLY



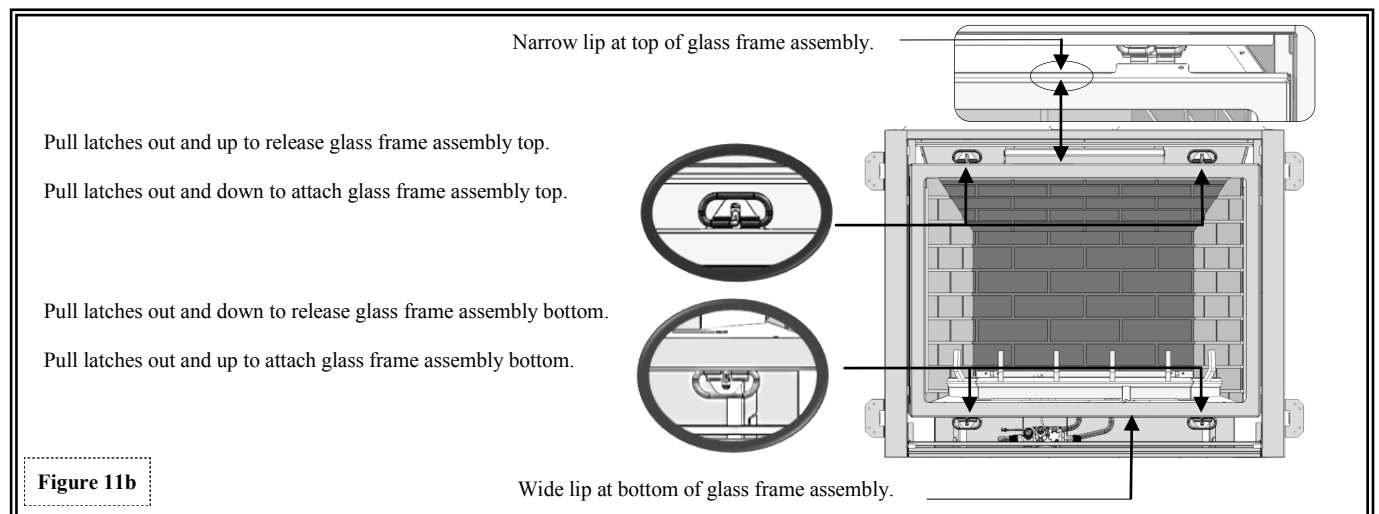
**CAUTION: TO PREVENT GLASS FRAME ASSEMBLY FROM FALLING FROM FIREPLACE AND BECOMING DAMAGED, FOLLOW THESE INSTRUCTIONS EXACTLY WHEN REMOVING AND INSTALLING GLASS FRAME ASSEMBLY.**

## REMOVE GLASS FRAME ASSEMBLY

1. Locate spring-loaded handles securing glass frame assembly at top & bottom of firebox.
2. Pull bottom handles out and down to release glass frame assembly bottom.
3. Pull top handles out and up to release glass frame assembly top.

## INSTALL GLASS FRAME ASSEMBLY


1. Making sure wide lip of glass frame assembly is at bottom and narrow lip at top, place assembly onto fireplace front.
2. Pull top handles out and down to secure glass frame assembly top.
3. Pull bottom handles out and up to secure glass frame assembly bottom.




# GAS LINE CONNECTION


## GAS CONVERSION

This fireplace is manufactured for use with Natural Gas. An LP conversion kit, is included with this fireplace. Follow instructions included with conversion kit if converting to LP gas.

 **ATTENTION:** The conversion shall be carried out in accordance with the requirements of US or Canadian authorities having local jurisdiction and in accordance with the requirements of the ANSI Z223.1 installation code.

 **CAUTION:** Installation of the gas line must only be done by a qualified person in accordance with local building codes, if any. If not, follow ANSI Z223.1.

**Commonwealth of Massachusetts:** Installation must be done by a licensed plumber or gas fitter.


 **NOTE:** A listed (and Commonwealth of Massachusetts approved) 12" (13mm) T- handle manual shut-off valve and flexible gas connector (included) are connected to the 1/2" (13mm) control valve inlet. If substituting for these components, please consult local codes for compliance.

**NOTE:** This fireplace is equipped with a 3/8"(10mm) x 18" (457mm) long flexible gas connector and manual shut-off valve. The gas line should be run to the point of connection where the shut-off valve and flexible gas line will connect.

**NOTE:** The appliance and its individual shutoff valve must be disconnected from the gas supply piping system during any pressure testing of that system at pressures in excess of 1/2 psi. (3.5 kPa).


**NOTE:** The appliance must be isolated from the gas supply piping system by closing its individual manual shut-off valve during any pressure testing of the gas line at test pressures equal to or less than 1/2 psi (3.5 kPa).


**NOTE:** For high altitude installations, consult the local gas distributor or the authority having jurisdiction for proper rating methods.

 **IMPORTANT:** The efficiency rating of this appliance is a product of thermal efficiency rating determined under continuous operating conditions and was determined independently of any installed system.

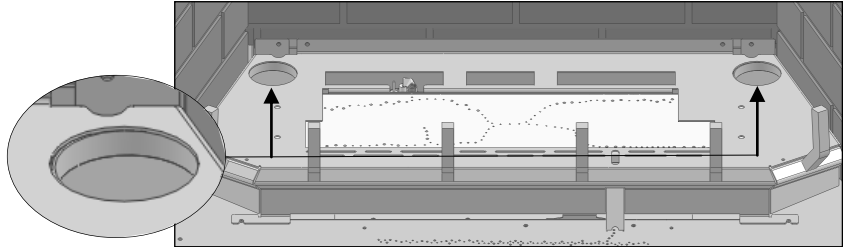
	<u>NATURAL GAS</u>	<u>LP GAS</u>
MINIMUM INLET GAS PRESSURE	5" WC (1.25 kPa) (7" WC (1.74 kPa) recommended)	11" WC (2.74 kPa) (recommended)
MAXIMUM INLET GAS PRESSURE	10.5" WC (2.62 kPa)	13" WC (3.24 kPa)
MANIFOLD PRESSURE (HI)	3.5 (.87 kPa)	10 (2.49 kPa)
MANIFOLD PRESSURE (LO)	.90 (.22 kPa)	2.9 (.72 kPa)
ORIFICE SIZE	#57 & #37	#63 & #51
INPUT BTU/hr. (kW)	39,500 (11.58 kW)	39,500 (11.58 kW)
MINIMUM INPUT BTU/hr. (kW)	18,500 (5.42 kW)	18,500 (5.42 kW)

## LIGHT KIT COMPONENT INSTALLATION (INT-200 only)

 **CAUTION:** Disconnect all electrical power from fireplace before performing this task

 **NOTE:** To avoid damage and prolong the life of halogen bulbs, never touch with bare hands. Always use a soft cloth when handling.

1. Install halogen bulbs (included in components packet) into lamp bases.
2. Place amber light filters into light cylinders.



# VENTING



**IMPORTANT:** Consult the local and national installation codes to assure adequate combustion and ventilation air is available.

**IMPORTANT:** Flame height and appearance will vary depending upon venting configuration and type of fuel used. Venting requirements apply to both Natural and LP gas.

Refer to the vent systems manufacturer's installation manual for complete installation instructions. Installation must conform with the venting requirements and restrictions as outlined in this manual. Provide a means for visually checking vent connection to fireplace after fireplace is installed.

## APPROVED VENTING

Simpson Dura-Vent DV-GS 5" x 8" and 4" x 6-5/8" -with reducer (horizontal and vertical terminations).

Metal Fab Direct Chimney System 5" x 8" (horizontal and vertical terminations).

ICC Direct Chimney Systems 5" x 8" (horizontal and vertical terminations).

Selkirk-Metalbestos Chimney Systems 5" x 8" and 4" x 6-5/8" -with reducer (horizontal and vertical terminations).

BDM 5" x 8" Chimney Systems (horizontal and vertical terminations).

Security 5" x 8" Chimney Systems (horizontal and vertical terminations).

Ameri-Vent 5" x 8" Chimney Systems (horizontal and vertical terminations).

## HORIZONTAL VENT SYSTEM CLEARANCES

	TOP	BOTTOM	SIDES
ALL APPROVED VENTING	1 inches (25mm)	1 inch (25mm)	1 inch (25mm)

## VERTICAL VENT SYSTEM CLEARANCES

	TOP	BOTTOM	SIDES
ALL APPROVED VENTING	1 inch (25mm)	1 inch (25mm)	1 inch (25mm)

## HORIZONTAL TERMINATIONS

MINIMUM: 45° elbow + 6" (152mm) horizontal + termination cap.

MAXIMUM: 45° elbow + 6ft. (1.83m) + termination cap.

## HORIZONTAL TERMINATIONS (with reducer)

NAT GAS MINIMUM: 2ft. (610mm) vertical + reducer + 90° elbow + 6" (152mm) horizontal + termination cap.

NAT GAS MAXIMUM: 2ft. (610mm) vertical + reducer + 90° elbow + 12ft. (3.66m) + termination cap.

LP GAS MINIMUM: 2ft. (610mm) vertical + reducer + 90° elbow + 6" (152mm) + termination cap.

LP GAS MAXIMUM: 2ft. (610mm) vertical + reducer + 90° elbow + 2ft. (610mm) + termination cap.

LP GAS MAXIMUM: 3ft. (914mm) vertical + reducer + 90° elbow + 12ft. (3.66m) + termination cap.



**IMPORTANT:** Wall pass-thru required for all horizontal runs. Refer to vent manufacturer to determine which pass-thru will work best for your application and wall thickness.

**IMPORTANT:** The horizontal vent heat shield must be installed when using a 45-degree elbow to horizontally position the vent system. Exception: corner installations.

## ELBOWS

The following statement applies to horizontal, vertical, or a combination of horizontal/vertical elbows:

For each additional 90° elbow used after first elbow, 3ft. (914mm) must be subtracted from maximum allowed venting. For each 45° elbow used, 1-1/2ft. (457mm) must be subtracted from maximum venting allowed.



**NOTE:** (2) 45° degree elbows may be used in place of (1) 90° elbow.

# VENTING

## HORIZONTAL TERMINATIONS



**NOTE:** Horizontal sections require 1/4" (6mm) rise for every 12" (305mm) of travel.

**NOTE:** Page 16 has information on restrictor installation in conjunction with venting installation. Page 37 has information on restrictor recommendations depending on burner flame appearance and instructions on installation after venting is completed.

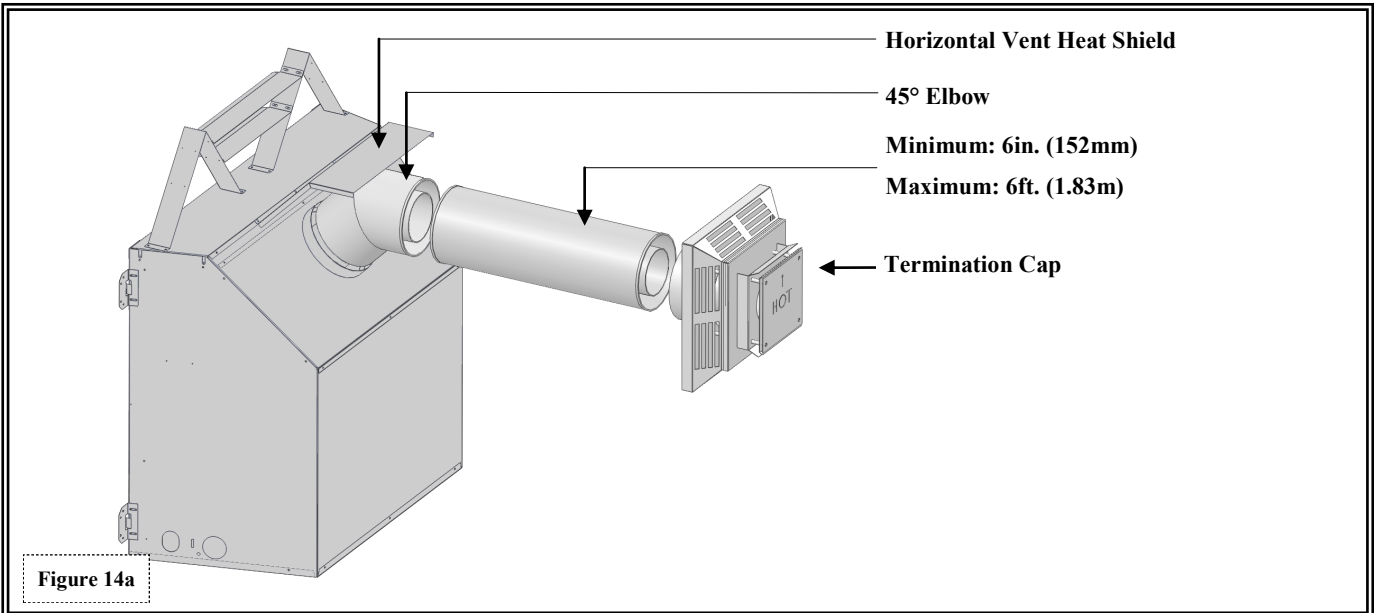


**CAUTION:** This gas appliance must not be connected to or joined with any other chimney flue serving another appliance.

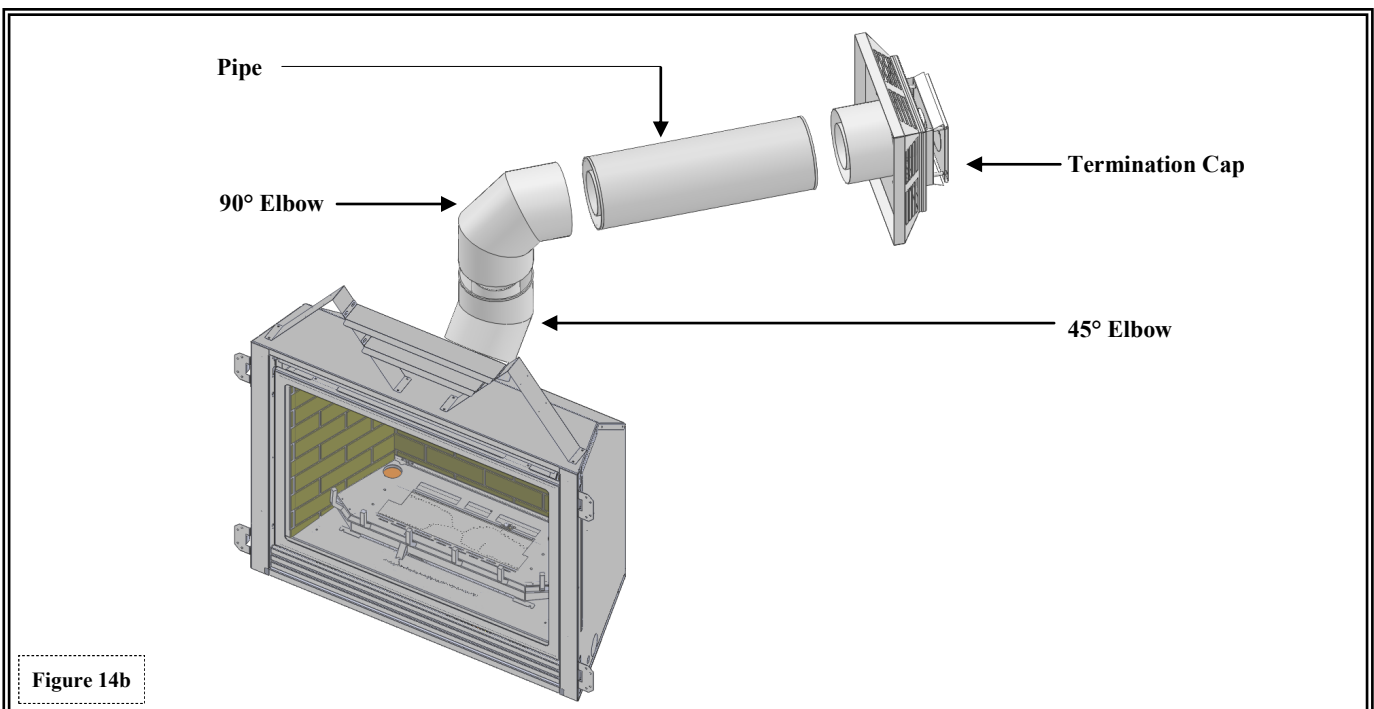


**IMPORTANT:** Wall pass-thru required for all horizontal runs. Refer to vent manufacturer to determine which pass-thru will work best for your application and wall thickness.

**IMPORTANT:** The horizontal vent heat shield must be installed when using a 45-degree elbow to horizontally position vent system.  
Exception: corner installations.



## TYPICAL CORNER INSTALLATION



# VENTING

## VERTICAL VENT SYSTEM CLEARANCES

	TOP	BOTTOM	SIDES
ALL APPROVED VENTING	1 inch (25mm)	1 inch (25mm)	1 inch (25mm)

## VERTICAL TERMINATIONS

MINIMUM: 45° elbow + 2ft. (610mm) + termination cap.

MAXIMUM: 45° elbow + 50ft. (15.2m) + termination cap.

MAXIMUM (if using reducer): 45° elbow + 2ft. (610mm) + reducer + 48ft. (14.63m) + termination cap.

## HORIZONTAL & VERTICAL COMBINATION TERMINATIONS

MAXIMUM: 18ft. (5.49m) horizontal + 18ft. (5.49m) vertical + cap. [36ft. (10.98m) total].

MAXIMUM (with reducer): 45° elbow + 2ft. (610mm) + reducer + 16ft. (4.88m) hor. /vert + 18ft. (5.49m) hor / vert + term. cap.



**ATTENTION: IF INSTALLING WITH RIGID-TO-FLEX PIPE SYSTEMS:**

More than a 30 degree bend constitutes a 45 degree elbow.  
More than a 45 degree bend constitutes a 90 degree elbow.  
More than a 90 degree bend is not permissible.



**IMPORTANT: Wall pass-thru required for all horizontal runs. Refer to vent manufacturer to determine which pass-thru will work best for your application and wall thickness.**

**IMPORTANT: The horizontal vent heat shield must be installed when using a 45-degree elbow to horizontally position the vent system. Exception: corner installations.**

## ELBOWS

The following statement applies to horizontal, vertical, or a combination of horizontal/vertical elbows:

For each additional 90° elbow used after first elbow, 3ft. (914mm) must be subtracted from maximum allowed venting. For each 45° elbow used, 1-1/2ft. (457mm) must be subtracted from maximum venting allowed.



**NOTE: (2) 45° degree elbows may be used in place of (1) 90° elbow.**



**IMPORTANT: The horizontal vent heat shield must be installed when using a 45-degree elbow to horizontally position the vent system. Exception: corner installations**

## RESTRICTOR

We recommend installing a restrictor if using straight vertical terminations. It is important to remember each installation is unique and affected by various factors including venting configuration, altitude and climate. Therefore, after fireplace installation is complete, restrictor modification may be necessary.

A restrictor is included in fireplace components packet.

Please refer to page 16 for installation instructions if installing the restrictor in conjunction with venting.

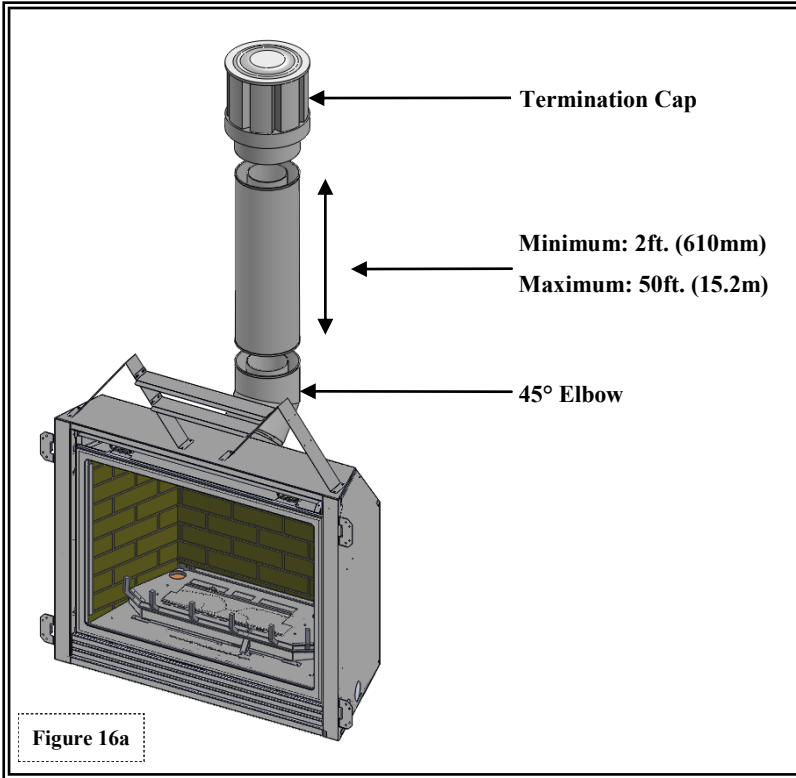
Page 37 has information on restrictor recommendations depending on burner flame appearance and instructions on installation after venting is completed.

# VENTING

## VERTICAL TERMINATIONS

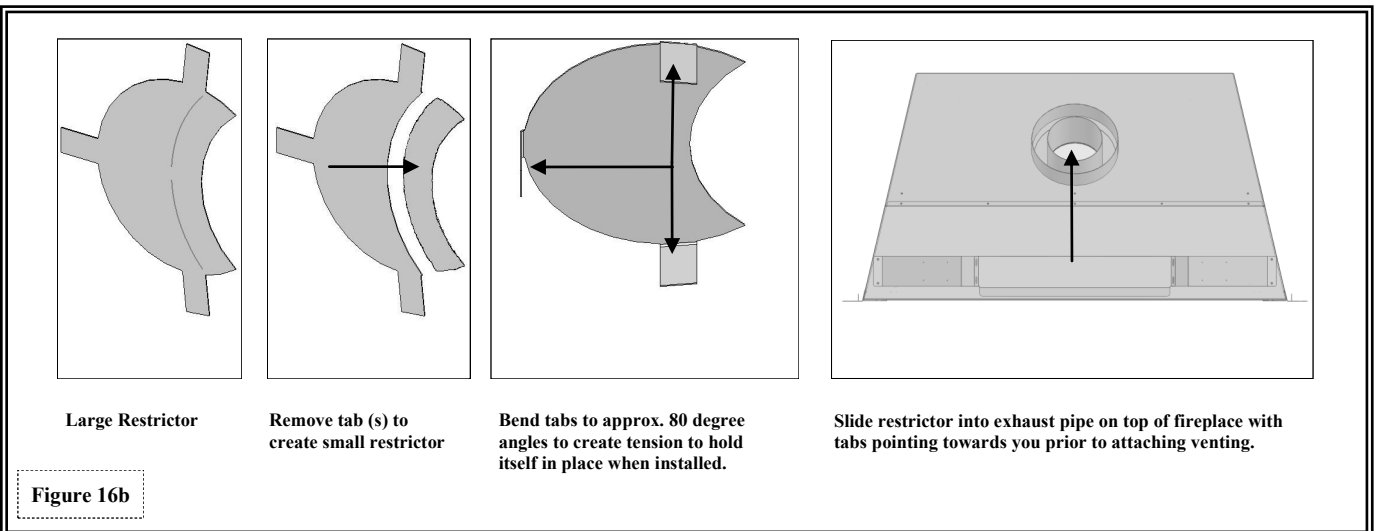


**CAUTION:** This gas appliance must not be connected to or joined with any other chimney flue serving another appliance.



## RESTRICTOR INSTALLATION

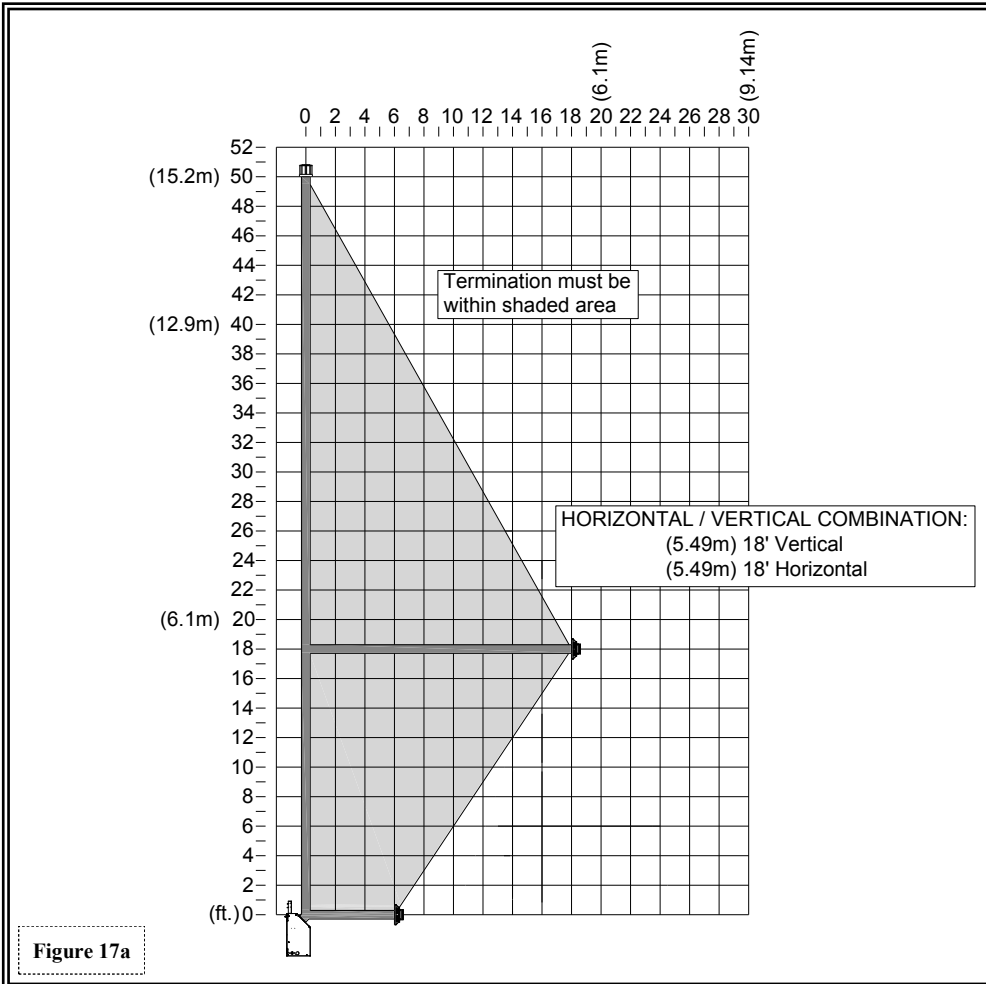
TO BE USED AT INSTALLER DISCRETION.



**NOTE:** Page 37 has information on restrictor recommendations depending on burner flame appearance and instructions on installation after venting is completed.

# VENTING

## HORIZONTAL / VERTICAL COMBINATION



**ATTENTION: IF INSTALLING WITH RIGID-TO-FLEX PIPE SYSTEMS:**

More than a 30 degree bend constitutes a 45 degree elbow.  
 More than a 45 degree bend constitutes a 90 degree elbow.  
 More than a 90 degree elbow is not permissible.



**CAUTION:** This gas appliance must not be connected to or joined with any other chimney flue serving another appliance.



**NOTE:** Page 16 has information on restrictor installation in conjunction with venting installation.

Page 37 has information on restrictor recommendations depending on burner flame appearance and instructions on installation after venting is completed.

Horizontal sections require 1/4" (6mm) rise for every 12" (305mm) of travel.

The following statement applies to horizontal, vertical, or a combination of horizontal / vertical elbows:  
 For each additional elbow used after first elbow, 3ft. (914mm) must be subtracted from maximum venting allowed.  
 For each 45° elbow used, 1-1/2ft. (457mm) must be subtracted from maximum venting allowed.  
 (2) 45° degree elbows may be used in place of (1) 90° elbow.



**IMPORTANT:** Wall pass-thru required for all horizontal runs. Refer to vent manufacturer to determine which pass-thru will work best for your application and wall thickness.

**IMPORTANT:** The horizontal vent heat shield must be installed when using a 45-degree elbow to horizontally position the vent system.  
 Exception: corner installations.

# TERMINATION VENT CAP LOCATION

**This gas appliance must not be connected to a chimney serving any other appliance.**

1. Terminations against vinyl siding must use a vinyl siding protector. Follow instructions included.
2. **DO NOT RECESS TERMINATION KIT INTO OUTSIDE BUILDING MATERIALS** - i.e.: brick, stone, siding, etc. If necessary, extend framing so that termination kit will be exposed once building materials are installed.
3. Vent termination must not be located where it will become plugged by snow or other material. The flow of combustion and ventilation air must not be obstructed.

## LOCATION CLEARANCES

- A. Above grade, veranda, porch, deck, balcony - 12" (305mm).
- B. Operable window or door - CANADA: 12" (305mm). US: 9" (229mm).
- C. Permanently closed window\* - 12" (305mm) (recommended to prevent condensation on window).
- D. Ventilated soffit\* - 24" (610mm).
- E. Unventilated soffit\* - 12" (305mm).
- F. Outside corner\* - 3" (76mm).
- G. Inside corner\* - 10" (254mm).
- H. Meter / Regulator: CANADA: Not to be installed above a gas meter/regulator assembly within 3ft. (914mm) horizontally from the centerline of the regulator within a height of 15ft. (4.57m). US\*.
- I. Gas Service regulator vent outlet : CANADA: 3ft. (914mm). US\*.
- J. Non-mechanical air supply inlet to building or the combustion air inlet to any other appliance. CANADA: 12" (305mm). US: 9" (229mm).
- K. Mechanical air supply inlet. CANADA: 6ft. (1.83m) US: 3ft. (914mm) above if within 10ft. (3.05m) horizontally. Massachusetts installations: 10ft. (3.05m).
- L. Above paved side-walk or paved driveway located on public property - 7ft. (2.13m). US\*



**NOTE: A vent cannot be located directly above a side-walk or paved driveway that is located between two single family dwellings and serves both dwellings.**

- M. Under veranda, porch, deck, or balcony (must be fully opened on a minimum of 2 sides) - 12" (305mm).
- N. Between two horizontal terminations - 12" (305mm).
- O. Between two vertical terminations - 12" (305mm). Terminations may be same height.
- P. Above furnace exhaust or inlet - 12" (305mm).

\*Clearance must be in accordance with local installation codes & the requirements of the gas supplier.

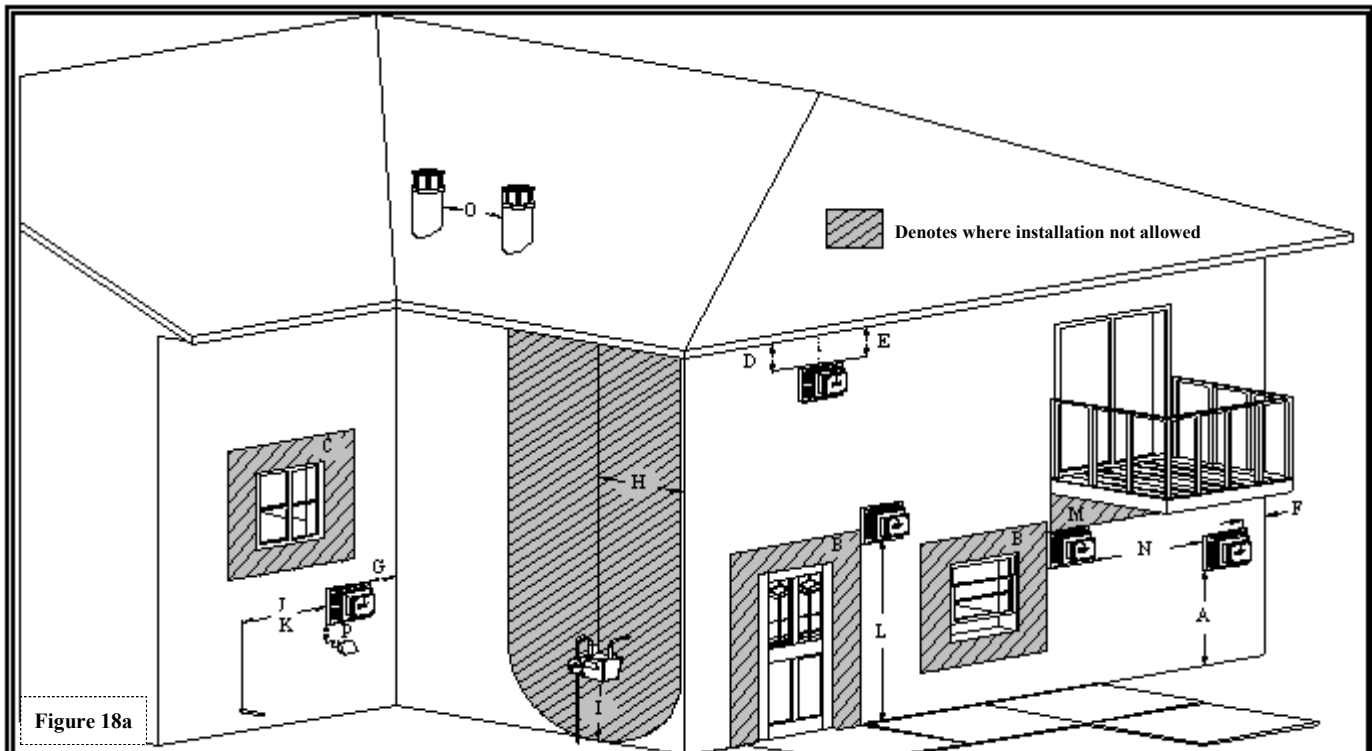


Figure 18a

# VENTING (Vertical Cap Requirements)

## VENT TERMINATION CLEARANCES

Roof Pitch	H (Min.) Ft.	H (Min.) m
Flat to 6/12	1.0	0.30
Over 6/12 to 7/12	1.25	0.38
Over 7/12 to 8/12	1.5	0.46
Over 8/12 to 9/12	2.0	0.61
Over 9/12 to 10/12	2.5	0.76
Over 10/12 to 11/12	3.25	0.99
Over 11/12 to 12/12	4.0	1.22
Over 12/12 to 14/12	5.0	1.52
Over 14/12 to 16/12	6.0	1.83
Over 16/12 to 18/12	7.0	2.13
Over 18/12 to 20/12	7.5	2.27
Over 20/12 to 21/12	8.0	2.44



**CAUTION:** This appliance must not be connected to or joined with any chimney flue serving any other appliance.

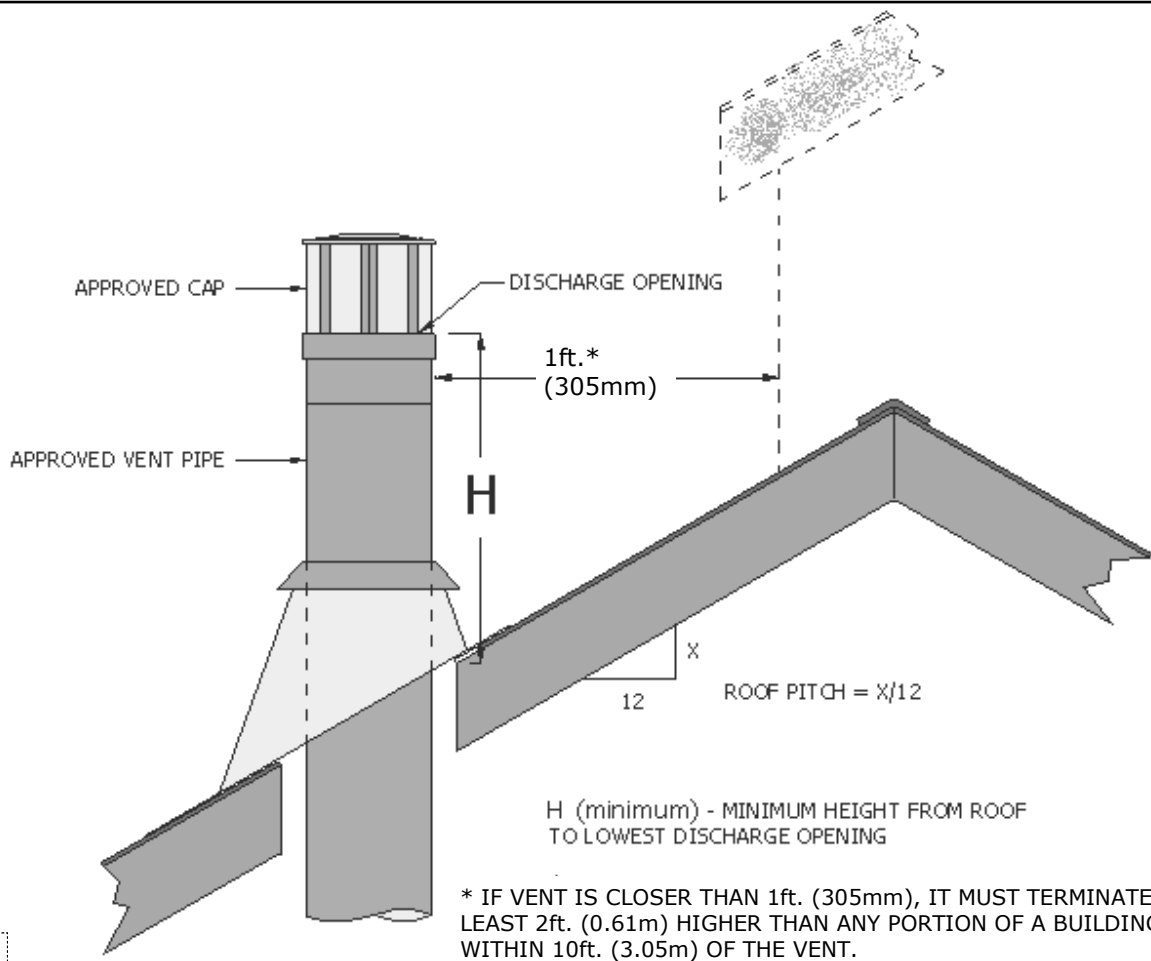


Figure 19a

# #INT-500 LOG SET INSTALLATION



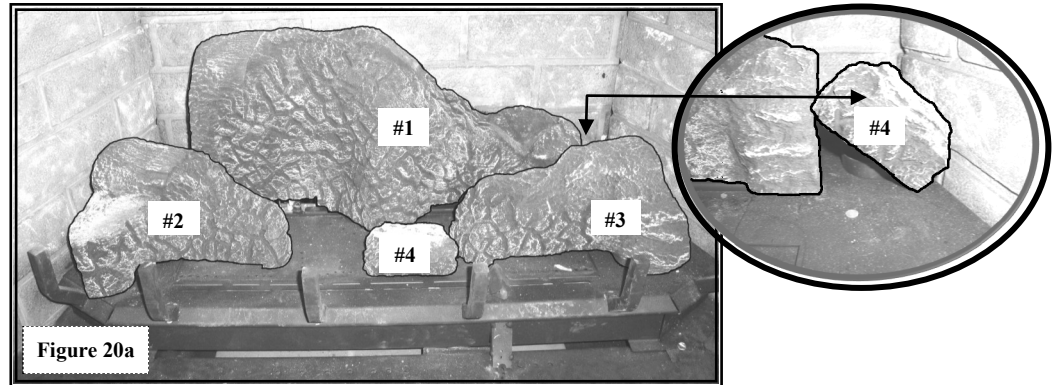
**ATTENTION:** If converting to LP (propane) gas or installing optional fan / light kit do so now before installing log set. Follow instructions included with kits.



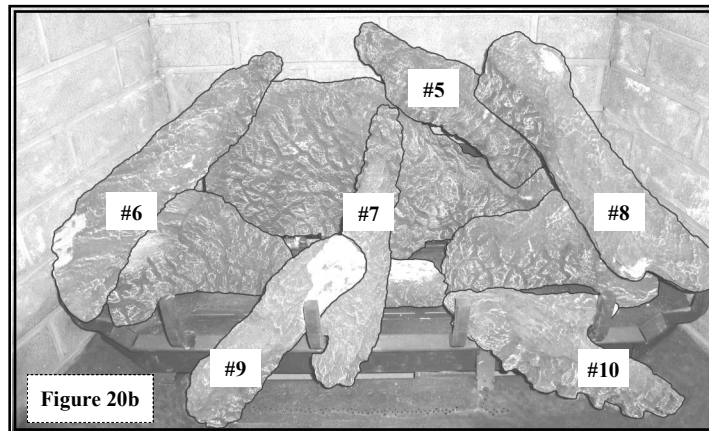
**NOTE:** Log numbers are located on the bottom of each log. Refer to following instructions and illustrations for proper placement.



**CAUTION:** Do not place logs directly over burner port holes. Improper log placement may affect flame appearance and cause excessive soot to build up on logs and glass.

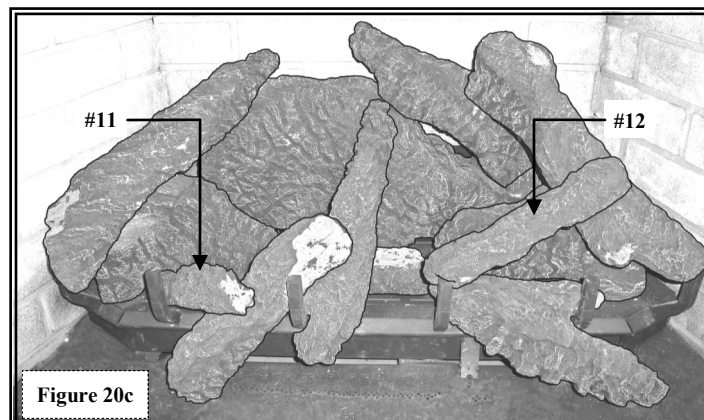


Align holes in bottom of logs #1, #2 & #3 with mounting pins on burner cover, setting down into position. Position #4 logs (2) as shown above. Do not allow logs to block burner ports.



Install #5 - #10 logs as shown above, aligning with notches in base logs, and in the case of log #7, aligning notch in log with burner grate.

Install #11 - #12 logs as shown below, aligning with notches in lower logs.



Randomly place “klinkers” in this area. Do not place klinkers directly on burner ports. Use a steel or stiff bristle brush to distribute Rock Wool Embers onto logs and burner.

# CONTROL BOARD REMOVAL



**CAUTION:** If burner and/or pilot have been burning, use appropriate protection to avoid burns or damage to personal property before removing any components.



**WARNING:** DO NOT OPERATE THIS FIREPLACE WITHOUT SEALING GASKET (LOCATED UNDER CONTROL BOARD) IN PLACE. IF GASKETING IS DAMAGED, IT MUST BE REPLACED.

1. Use remote to turn fireplace off.
2. Shut off gas supply at manual shut-off valve. Disconnect gas line flex tube from the manual shut-off valve.
3. Unplug all components from electrical outlet, disconnect all wiring harnesses attached to gas valve, disconnect pilot assembly orange and white leads from main control module.
4. **INT-200 only:** Disconnect light kit communication link (black and white leads) from extension module communication link (red and white leads).
5. Remove upper hood, upper louver, glass assembly, and logs.
6. Remove back burner; secured with screws, (2) at front, (2) at back.
7. **INT-200 only:** Remove light kit cylinders, amber light filters, and halogen bulbs. Remove screws securing light stands, lay light stands on control board.
8. Remove side refractory panels.
9. Loosen front orifice bracket screws, push orifice backwards far enough to release from venturi.
10. Remove front burner, secured with screws, (2) at front, (2) at back.
11. Remove (8) screws securing control board. Lift board up and out of firebox.

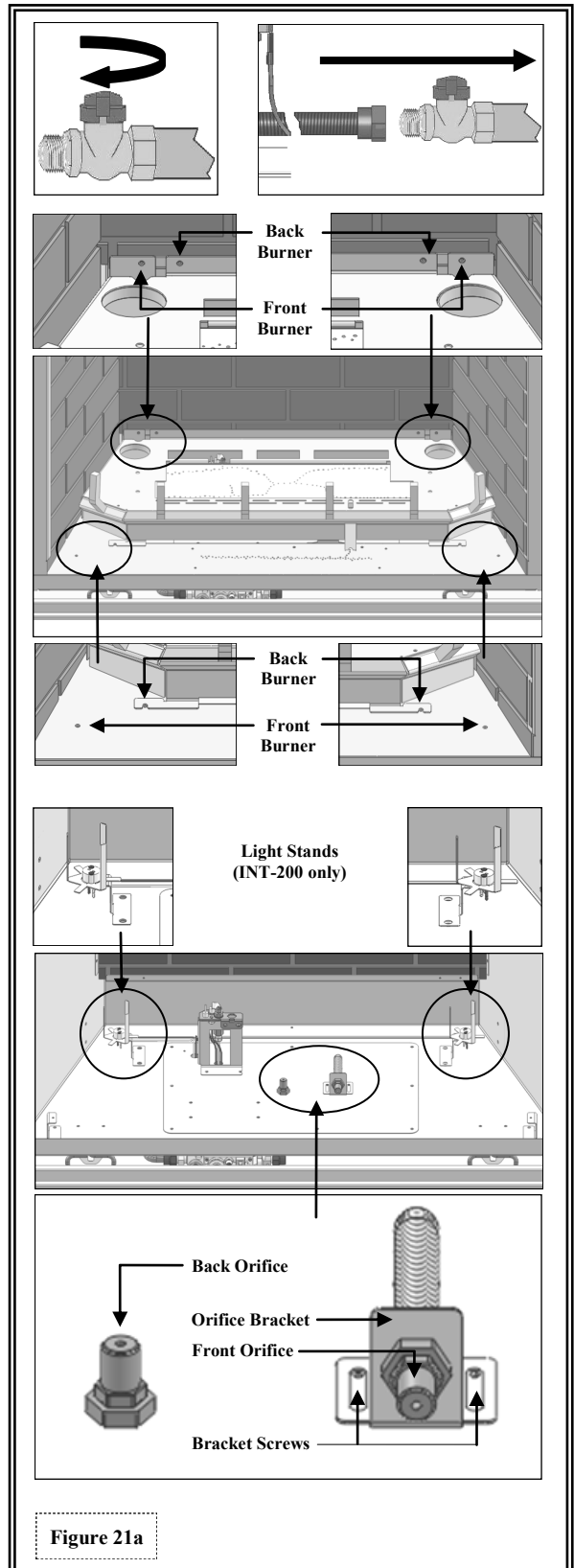


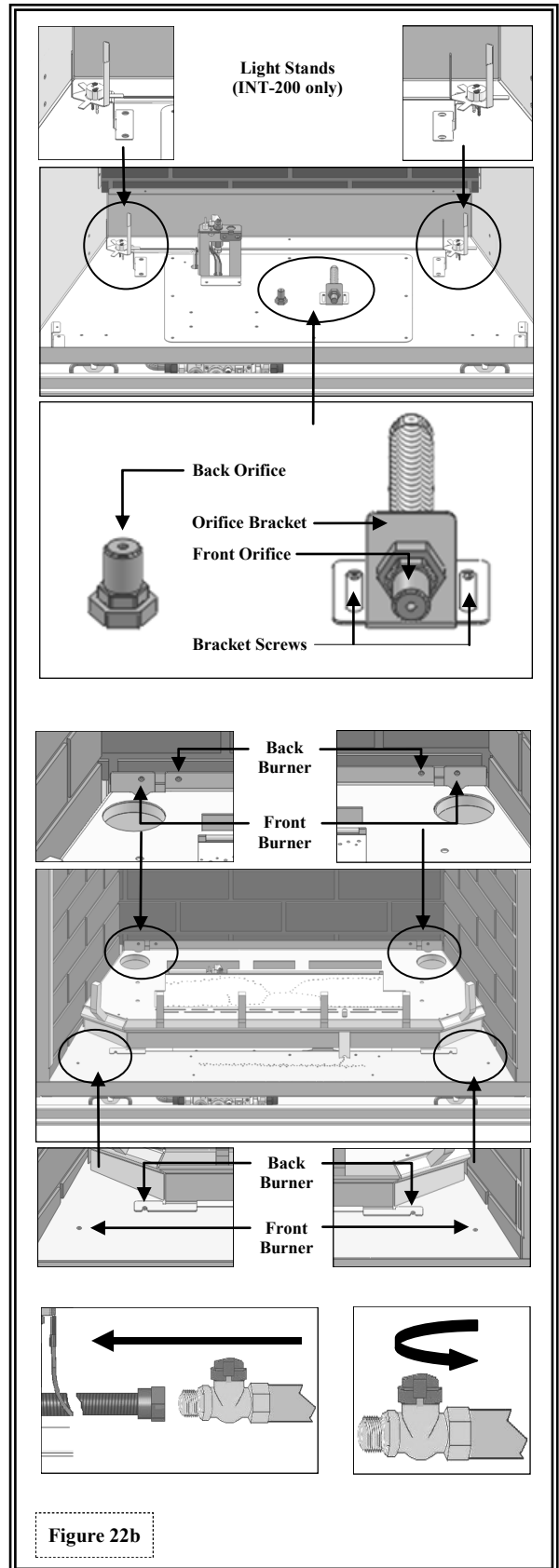
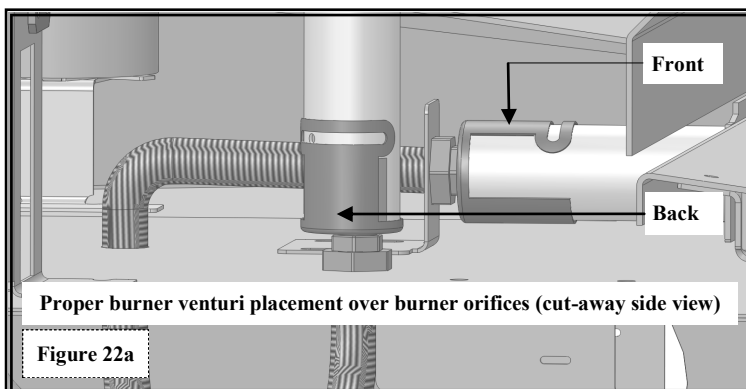
Figure 21a

# CONTROL BOARD INSTALLATION



**WARNING: DO NOT OPERATE THIS FIREPLACE WITHOUT SEALING GASKET (LOCATED UNDER CONTROL BOARD) IN PLACE. IF GASKETING IS DAMAGED, IT MUST BE REPLACED.**

1. Place control board in firebox, aligning holes in board to holes in firebox bottom. **MAKE SURE SEALING GASKET IS IN PLACE ON FIREBOX BOTTOM!** Secure with screws previously removed.
2. Reinstall front burner. Align front burner orifice with front venturi, pull orifice bracket forward until orifice is seated inside venturi. Tighten orifice bracket screws. Figure 22a. Secure burner with (4) screws previously removed.
3. Reinstall side refractory panels.
4. **INT-200 only:** Reinstall light kit stands (secure with screws previously removed), halogen bulbs, cylinders and amber light filters.
5. Reinstall back burner assembly, making sure venturi is properly positioned over back burner orifice. Figure 22a. Secure with 4 screws previously removed.
6. Reinstall log set.
7. Reconnect gas line to manual shutoff valve.
8. Reconnect all wiring harnesses to gas valve, reconnect pilot assembly orange and white leads to main control module. Plug all components into electrical outlet.
9. **INT-200 only:** Reconnect light kit communication link (black and white leads) to extension module communication link (red and white). (Black to red, white to white).
10. Reinstall glass frame assembly, upper hood and upper louver.
11. Turn gas on.
12. Verify proper log placement, operation of fireplace, and any electrical components.



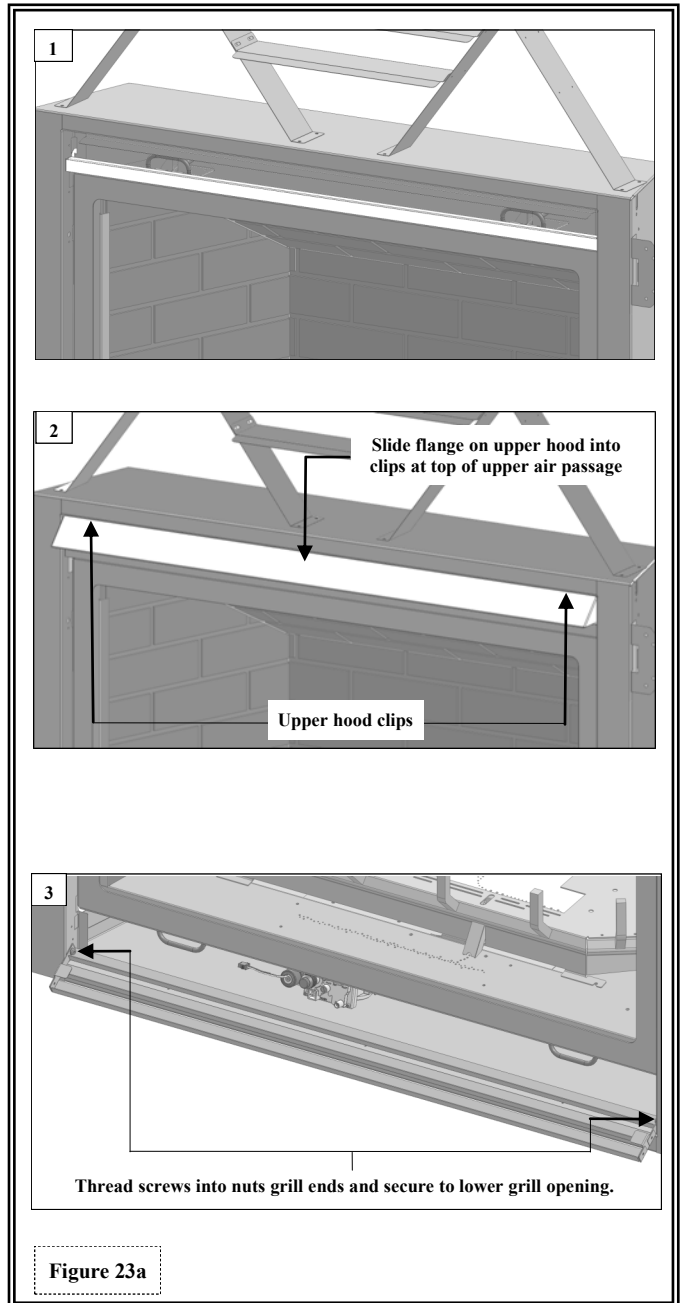
# GRILL SET

## INSTALLATION

1. Align hooks in upper louver to slots located in fireplace face. Set down into position.
2. Insert upper hood flange into clips located at top of upper air passage, keeping in mind this is a fairly tight fit.
3. Partially thread (2) screws (included in components packet) into nuts at each end of lower grill. Secure to fireplace by threading screws into corresponding holes in inside flange of lower grill opening. The lower grill can now be opened and closed to access gas valve and controls.

## REMOVAL

1. Use both hands to pull hood out of upper air passage clips.
2. Lift upper louver up and out of slots.
3. Remove screws securing lower grill at each end to remove from fireplace.





# VALVE & PILOT ASSEMBLY COMPONENTS

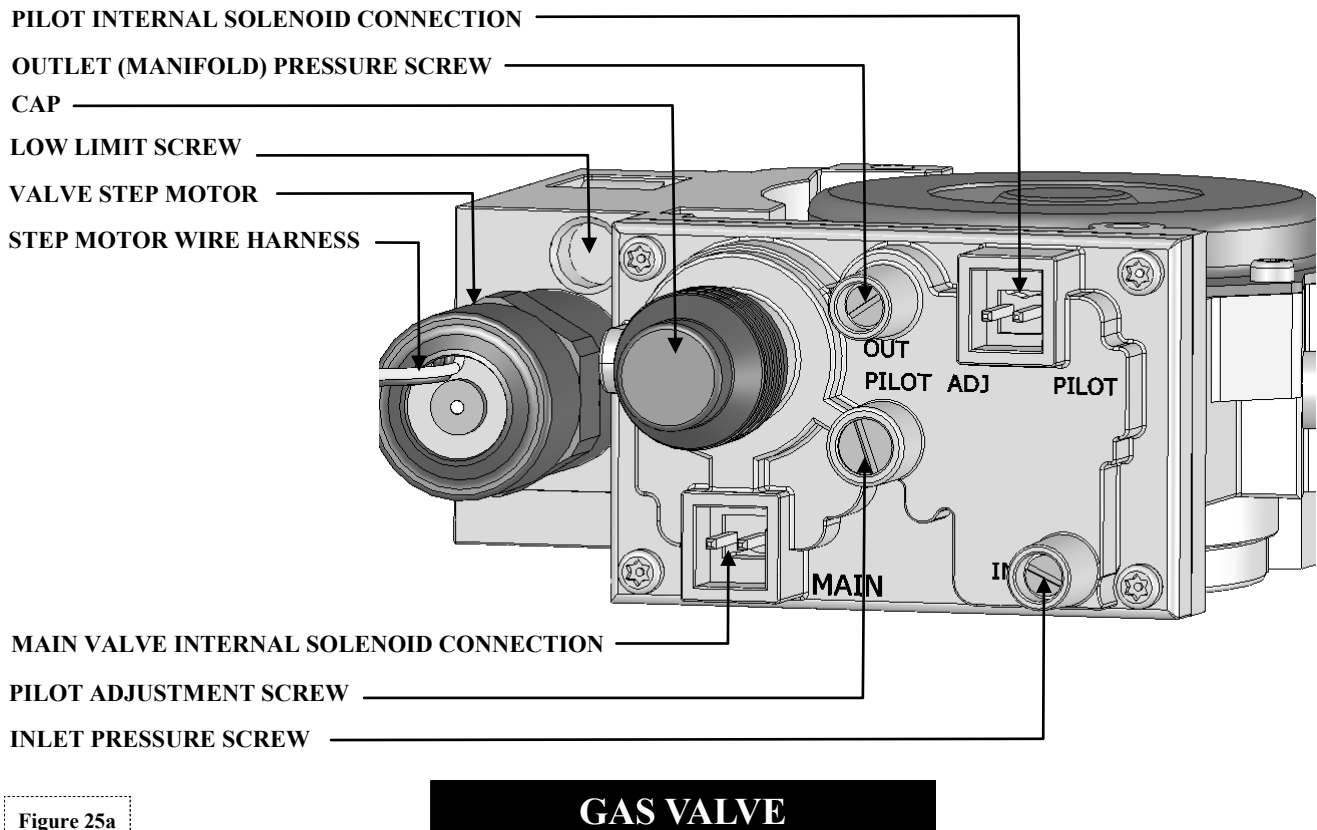
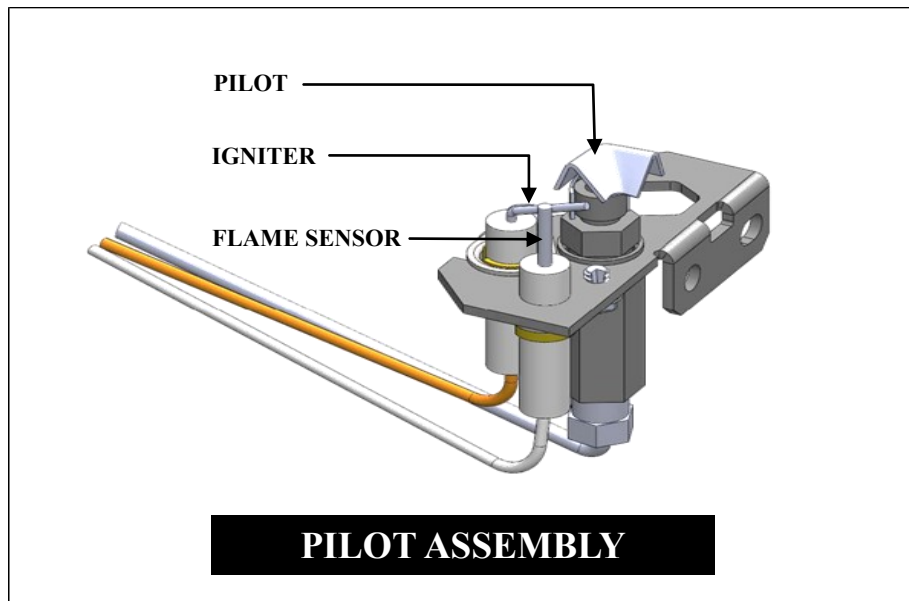
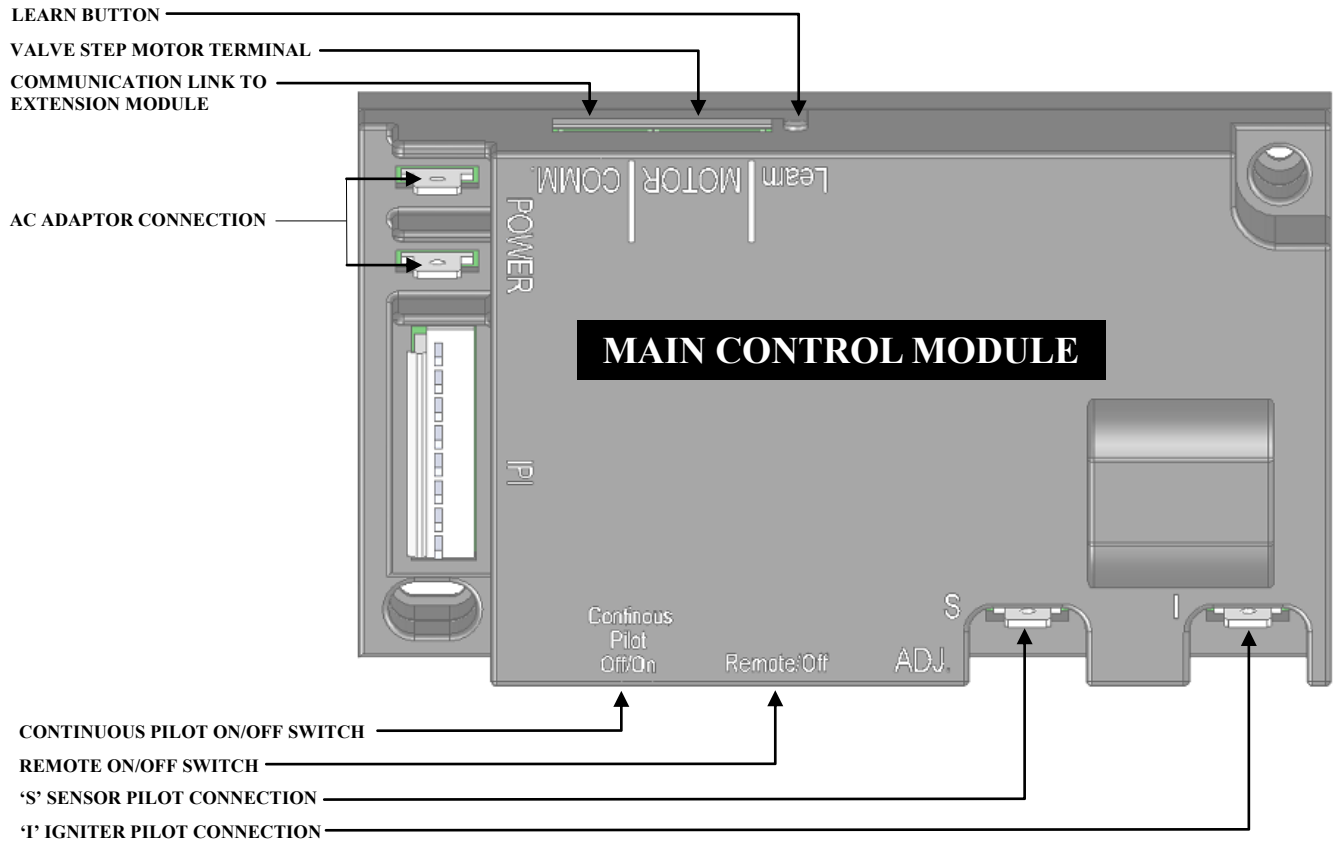
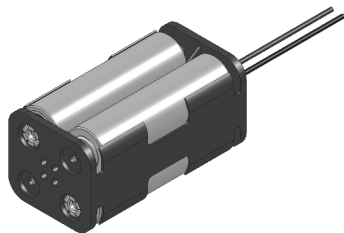


Figure 25a

# CONTROL MODULE COMPONENTS



## BACK-UP BATTERY PACK



## AC ADAPTOR

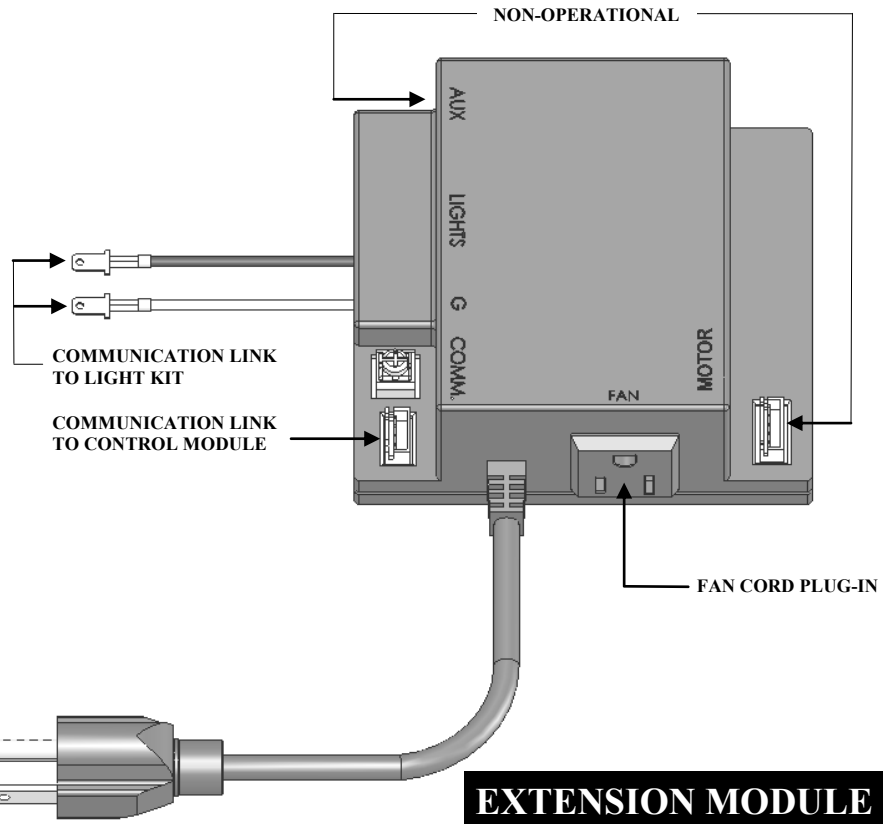
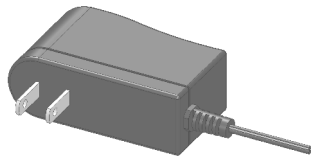


Figure 26a

# REMOTE CONTROL INFORMATION

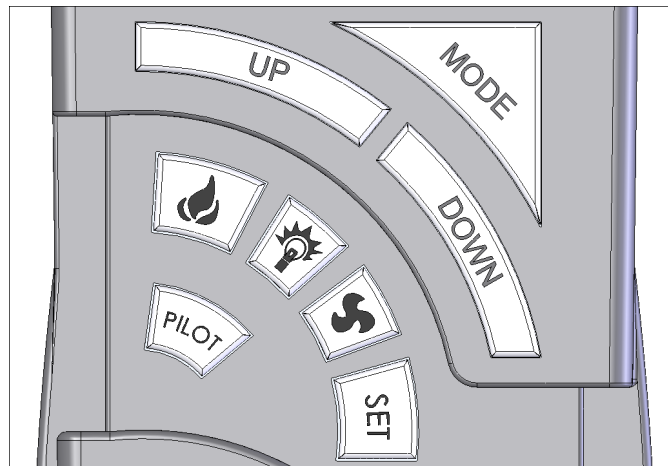
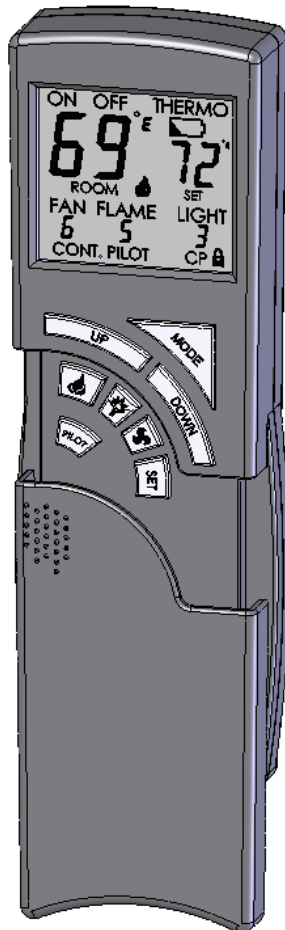
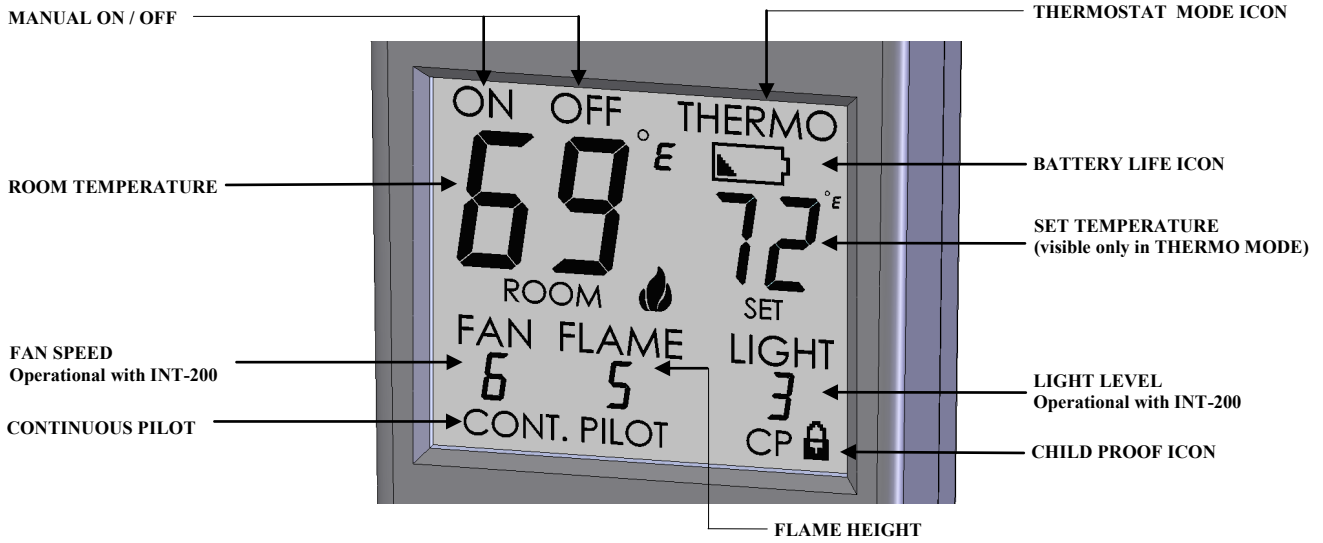


Figure 27a

# IPI INFORMATION



## ELECTRICAL WARNING AND INFORMATION:

- Electrical wiring must be installed by a licensed electrician.
- Do NOT wire 120V to wall switch.
- Uninterrupted or continuous power is required at all times in IPI systems EXCEPT when using battery back-up.
- Incorrect wiring will override IPI safety lockout and may cause an explosion.
- Disconnect 120V before servicing

A duplex receptacle and box cover are supplied in fireplace components packet to be used when hardwiring to electrical box located under firebox on right side of fireplace. **Ensure duplex box cover is installed with flange to top.**



**ATTENTION: THIS SYSTEM GOES THROUGH A CALIBRATION MODE WHEN SWITCHING FROM ON TO THERMO TO OFF MODES, CREATING A HUMMING SOUND WHICH IS A NORMAL PART OF OPERATION.**

## CONTINUOUS PILOT (FOR VERY COLD CONDITIONS)

The IPI gas control system has the option of a continuous (standing) pilot feature. This allows you to change from a spark-to-pilot system to a standing pilot system during cold weather conditions. By having the pilot on continuously, the firebox will remain warm and a draft is established in the vent, allowing the main burner to turn on with less air-flow disruption.

When continuous pilot mode is activated and fireplace is turned ON, the pilot will spark and light. When fireplace is turned OFF, the pilot will remain lit when main burner has been turned OFF.

This pilot feature can be activated or de-activated by the hand held remote control transmitter. Instructions on following page.

## OPERATION USING BATTERY POWER

This fireplace has an optional battery operation if electrical power is lost. Position battery pack with four “AA” size batteries installed between valve and front of fireplace. This is the coolest location under firebox, ensuring longer battery life.



**NOTE: When operating fireplace in this capacity, the only function available is flame modulation.**

## MATCHING SECURITY CODES

Before matching security codes make sure 120V AC is connected and powered to fireplace, and hand held remote control is installed with (2) AA batteries.

It may be necessary to program main control module to LEARN the security code of the hand held remote control upon initial use, if batteries are replaced, or if a replacement remote control is purchased from your dealer.

1. When matching security codes, be sure slide button on main control module is in **REMOTE**; the code will not “LEARN” if slide is in **OFF**.
2. Program main control module to LEARN a new security code by pushing in **LEARN** button on main control module for 2 seconds, then releasing. (You should then hear a single ‘beep’ letting you know module is ready to learn a new code).
3. Press **MODE** button on hand held remote control (you should hear four ‘beeps’ in rapid succession in main control module, indicating remote control’s code has been programmed into the main control module). When an existing main control module is introduced to a new hand held remote control, the new security code will overwrite the old one.

If it ever becomes necessary to clear the memory from the hand held remote control, simply push and hold the **LEARN** button for 10 seconds (you should hear three long beeps in succession). You may now follow steps outlined above to ‘RE-LEARN’ security codes.

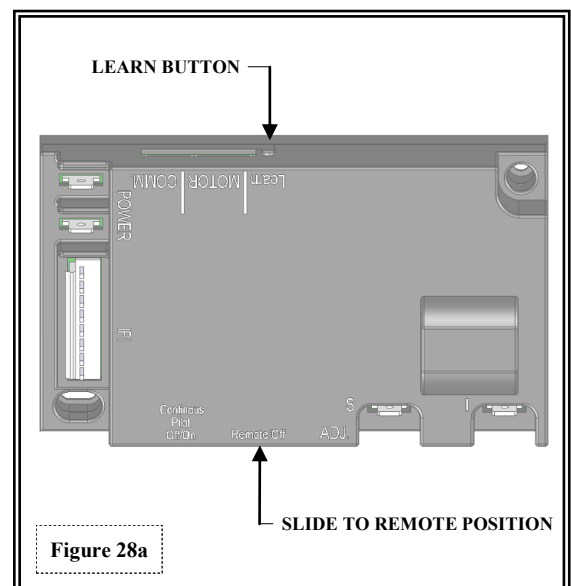


Figure 28a

# REMOTE CONTROL OPERATION

## INITIAL SET-UP:

Plug **Extension Module** and **AC Adaptor** into receptacles.

Install (4) AAA batteries into battery compartment of **Backup Battery Pack**, making sure batteries are installed in proper direction. Position between valve and front of stove. A Velcro strip has been attached to help secure in place.

The **Hand Held Remote** operates on (2) 1.5V AAA batteries. We recommend always using ALKALINE batteries to extend battery life and improve operational performance.



**NOTE:** This system is sent to you set up for Natural Gas and temperature units readable in Fahrenheit.

This system allows for gas type conversion and temperature unit conversion by following the setup procedure outlined below.

## GAS TYPE CONVERSION:

Press and hold **Learn** Button on Main Control Module for 20 seconds. A beep will be heard letting you know the procedure has been completed.

**If converting from NAT to LP gas:** (1) one second long beep

**If converting from LP to Nat gas:** (3) three second long beep

Continue with gas type conversion by following instructions included with gas conversion kit.

## CELSIUS/FAHRENHEIT CONVERSION:

Press **UP** and **DOWN** keys simultaneously to choose Celsius or Fahrenheit.

## IMPORTANT SAFETY FEATURE:

This system has a maximum room temperature limit of 95° F (35° C) in both manual and thermostat modes. When room temperature is at or above this point the system will shut down and the hand held remote control will read **OFF**. If you turn the system **ON** when room temperature is still at or above this temperature, the system will again shutdown after 2 minutes when room temperature is recalculated.

## CONTINUOUS PILOT FEATURE:

Activation of this optional feature is accomplished by pressing the **PILOT** button once. The continuous pilot icon will appear on the LCD screen. Pressing **PILOT** button again will de-activate this feature.

This feature can also be activated via **CONTINUOUS PILOT** switch on Main Control Module.

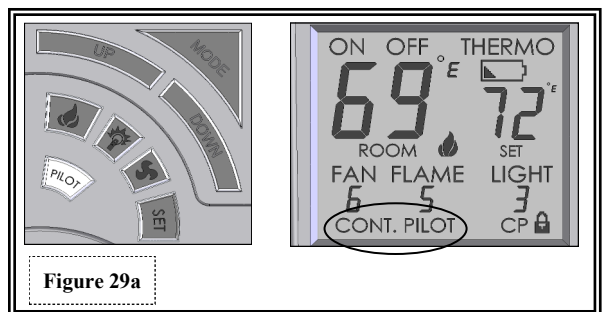


Figure 29a

## CHILDPROOF FEATURE:

Activation of this optional feature is accomplished by pushing **SET & UP** buttons simultaneously for 5 seconds. The childproof icon will appear on the screen. When a transmitter button is pressed the icon will flash on screen, but no signal will be transmitted. Pressing and holding these same two buttons again for more than 5 seconds will de-activate this function.

This feature controls only manual functions of the hand held remote, automatic functions (thermostat mode) will not be effected.

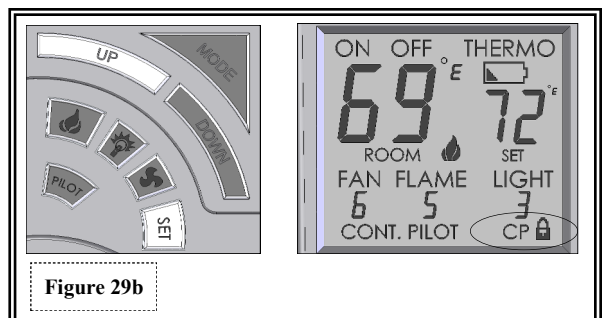


Figure 29b

# REMOTE RECEIVER INFORMATION cont.

## MANUAL MODE:

This remote can be manually or thermostatically operated. Press **MODE** button for manual ON. The flame icon will appear on the LCD screen. Press **MODE** button again to put the control into **THERMO** mode. Pressing **MODE** again will turn fireplace OFF.



**NOTE:** The **MODE** button operates in a series that will cycle from ON to THERMO to OFF.

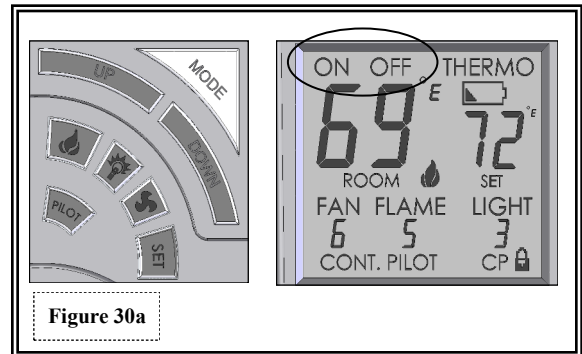


Figure 30a

## FAN MODE: Operational with INT-200

This remote will operate the fan, allowing for (6) different speed levels. When the **FAN** button is pressed, FAN level setting will flash on the LCD screen. Press **UP** or **DOWN** buttons to select desired fan speed level. If no adjustment is made within 7 seconds, the control will exit function setting mode and LCD display will return to normal view.



**NOTE:** Delayed ON/OFF - The fan will not turn on until fireplace has been burning for 5 minutes and will not turn off for 12 minutes after fireplace has been turned off.

**EXCEPTION:** If fireplace is turned back on during 12 minute off-delay time frame, the fan will remain on.

This applies to **MANUAL** and **THERMO** modes.

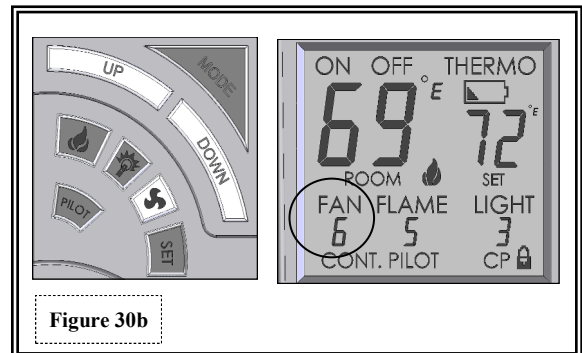


Figure 30b

## LIGHT MODE: Operational with INT-200

This remote will operate the lights, allowing for (6) different light levels. When **LIGHT** button is pressed, LIGHT level setting will flash on the LCD screen. Press **UP** or **DOWN** buttons to select desired light level. If no adjustment is made within 7 seconds, the control will exit function setting mode and LCD display will return to normal view.



**NOTE:** There is a 3 second delay before light level setting is achieved.

**NOTE:** Light operations are completely independent from flame and fan operations.

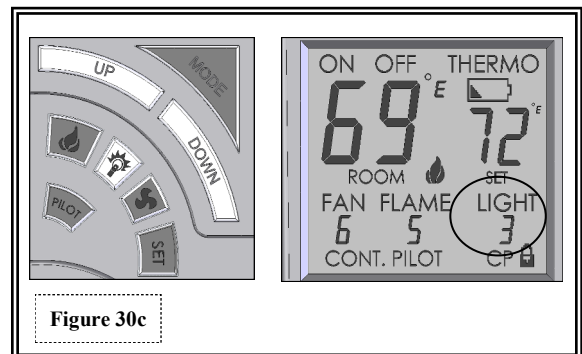


Figure 30c

## FLAME MODE:

This remote will operate the flame, allowing for (6) different flame height levels. When **MAIN FLAME** button is pressed, FLAME level setting will flash on the LCD screen. Press **UP** or **DOWN** buttons to select desired flame level. If no adjustment is made within 7 seconds, the control will exit function setting mode and LCD display will return to normal view.



**NOTE:** The fireplace will initially light at the highest level. After 5 seconds the flame will adjust to last chosen level before fireplace was turned OFF.

This applies to **MANUAL** and **THERMO** modes.

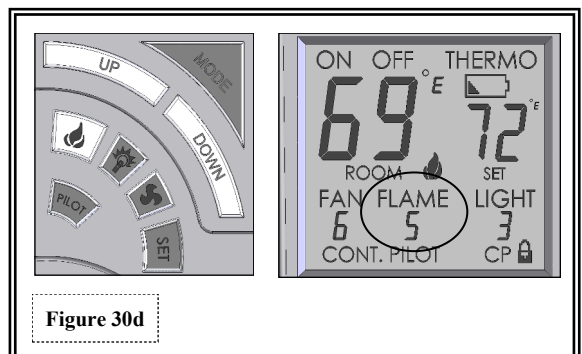


Figure 30d

# REMOTE RECEIVER INFORMATION cont.

## THERMO (THERMOSTAT) MODE:

This remote feature allows you to thermostatically control the fireplace when hand held remote is set to **THERMO** mode.

Set Temperature Range: 45°F (7°C) to 90°F (32°C).

Set remote to **THERMO** mode by pressing **MODE** button. The smaller **SET** window of numbers appears on the LCD screen. The first **SET** number will read 45°F. Press **UP** button to desired set room temperature. Within 5 seconds fireplace will operate to that Set Temperature. The **FLAME**, **ON** and **THERMO** icons will appear on the LCD screen. By pressing **UP** or **DOWN** buttons a new set temperature may be attained.

**SET Temperature will only appear when THERMOSTAT MODE is activated, but is implemented in all MODES with the exception of MANUAL MODE.**



**NOTE:** The flame height can adjust up to (6) different height levels according to amount of heat required. This range however is dictated by the Flame Level setting (see previous page). When desired temperature is met, the fireplace will shut off until more heat is required.

To exit **THERMO** mode press the **MODE** button. This also shuts fireplace OFF.



**IMPORTANT:** When in **THERMO** mode the fireplace will not turn on until room temperature falls below **SET TEMPERATURE**.

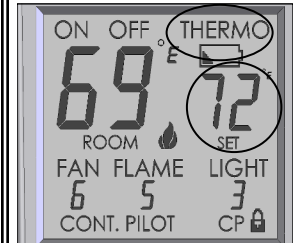
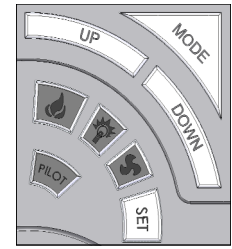


Figure 31a

## SYSTEM OPERATION WITHOUT HAND HELD REMOTE:

This system is designed to operate with the hand held remote or a thermostat, but in the unlikely event that it is required to be operated without the hand held remote or a thermostat, follow this simple procedure.

Slide **REMOTE /OFF** switch on main control module to **OFF**. The fireplace can now be lit and shut off by use of the ON/OFF rocker switch.



**NOTE:** When operating fireplace in this capacity, the only function available is burner operation on **HI**.

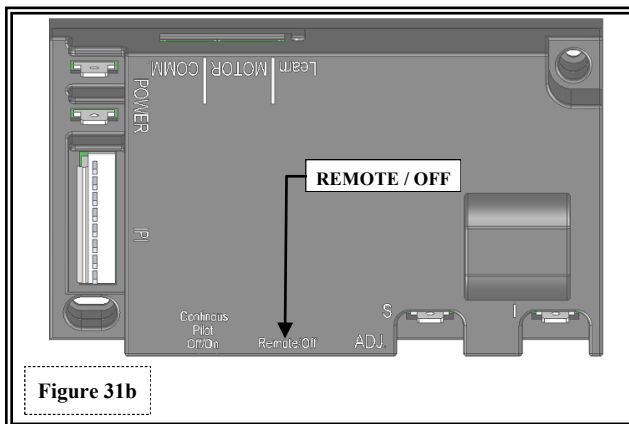


Figure 31b

# LIGHTING AND SHUTDOWN

## FOR YOUR SAFETY - READ BEFORE OPERATING



**WARNING: IF YOU DO NOT FOLLOW THESE INSTRUCTIONS EXACTLY, A FIRE OR EXPLOSION MAY RESULT, CAUSING PROPERTY DAMAGE, PERSONAL INJURY OR LOSS OF LIFE.**

1. This appliance is equipped with an ignition device which automatically lights the pilot. **DO NOT** try to light the pilot by hand.
2. BEFORE LIGHTING, smell all around the appliance area for gas. Be sure to smell next to the floor because some gas is heavier than air and will settle on the floor.

### WHAT TO DO IF YOU SMELL GAS:

- \* Do not try to light any appliance.
  - \* Do not touch any electrical switches; do not use the phone in your building.
  - \* Immediately call your gas supplier from a neighbor's phone. Follow the gas supplier's instructions.
  - \* If you cannot reach your gas supplier, call the fire department.
3. Do not use this appliance if any part has been under water. Immediately call a qualified service technician to inspect the appliance and to replace any part of the control system and any gas control which has been under water.



**DO NOT STORE OR USE GASOLINE OR OTHER FLAMMABLE VAPORS AND LIQUIDS IN THE VICINITY OF THIS OR ANY OTHER APPLIANCE.**



**WARNING: CHILDREN AND ADULTS SHOULD BE ALERTED TO THE HAZARDS OF HIGH SURFACE TEMPERATURES AND SHOULD STAY AWAY TO AVOID BURNS OR CLOTHING IGNITION. YOUNG CHILDREN SHOULD BE CAREFULLY SUPERVISED WHEN THEY ARE IN THE SAME ROOM AS THE APPLIANCE. CLOTHING OR OTHER FLAMMABLE MATERIAL MUST NOT BE PLACED ON OR NEAR THE APPLIANCE.**



**NOTE: A PAINT SMELL WILL OCCUR DURING THE FIRST FEW HOURS OF BURNING. IT IS RECOMMENDED TO LEAVE THE FAN OFF DURING THIS PERIOD TO HELP SPEED THE PAINT CURING PROCESS.**

**NOTE: THIS FIREPLACE MAY PRODUCE NOISES OF VARYING DEGREE AS IT HEATS AND COOLS DUE TO METAL EXPANSION AND CONTRACTION. THIS IS NORMAL AND DOES NOT AFFECT THE PERFORMANCE OR LONGEVITY OF THE FIREPLACE.**

**DUE TO HIGH SURFACE TEMPERATURES, KEEP CHILDREN, CLOTHING AND FURNITURE AWAY.**

This appliance needs fresh air for safe operation and must be installed so there are provisions for adequate combustion and ventilation air.

# LIGHTING AND SHUTDOWN (cont.)

## OPERATING INSTRUCTIONS



**STOP!** Read safety information on previous page and front cover of this manual before continuing.

1. Turn off all electric power to the appliance.



**ATTENTION:** This appliance is equipped with an ignition device which automatically lights the pilot. **DO NOT** try to light the pilot by hand.

2. Press hand held remote **MODE** button to **OFF**.
3. Wait five (5) minutes to clear out any gas. Then smell for gas, including near the floor. If you smell gas, **STOP!** Follow 'WHAT TO DO IF YOU SMELL GAS' below. If you don't smell gas, go to next step.

### WHAT TO DO IF YOU SMELL GAS

- \* Do not try to light any appliance.
- \* Do not touch any electric switch; do not use the phone in your building.
- \* Immediately call your gas supplier from a neighbor's phone. Follow the gas supplier's instructions.
- \* If you cannot reach your gas supplier, call the fire department.

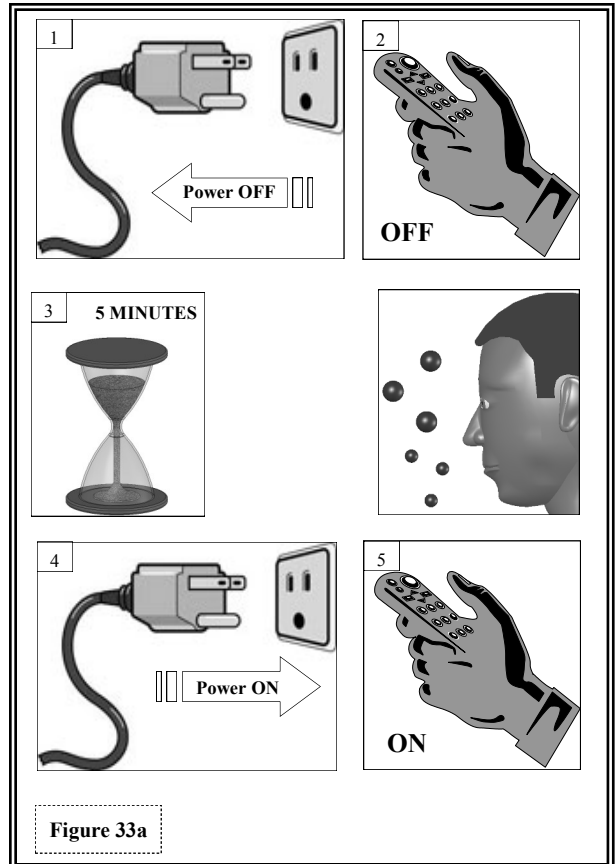
4. Turn ON all electric power to fireplace.
5. Press hand held remote **MODE** button to **ON**.



**CAUTION:** If fireplace will not operate, follow instructions **TO TURN GAS OFF TO APPLIANCE** and call your service technician or the gas supplier.

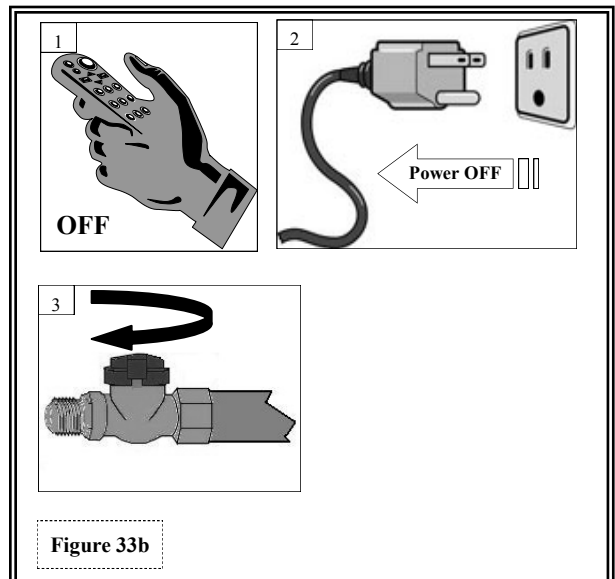


**NOTE:** When fireplace is initially lit, condensation will appear on the glass; this is normal in all gas fireplaces and will disappear after several minutes.



## TO TURN GAS OFF TO APPLIANCE

1. Press hand held remote **MODE** button to **OFF**.
2. Turn OFF all electric power to appliance if service is to be performed.
3. Open lower grill to access manual shut-off valve located under firebox. Turn manual shut-off valve to **OFF**.



# PRESSURE TESTING



**IMPORTANT NOTICE:** Pressure check taps for manifold (outgoing) and inlet (incoming) pressure have been incorporated into the valve. The pressure tap marked **OUT** measures outgoing pressure and the pressure tap marked **IN** measures incoming pressure. Follow instructions below for proper testing procedures. Refer to page 12 for proper NAT and LP manifold pressures.



**NOTE:** The appliance and its individual shutoff valve must be disconnected from the gas supply piping system during any pressure testing of that system at pressures in excess of ½ psi. (3.5kPa).

**NOTE:** The appliance must be isolated from the gas supply piping system by closing its individual manual shut-off valve during any pressure testing of the gas line at test pressures equal to or less than ½ psi (3.5 kPa).

## INLET PRESSURE TEST:

1. Loosen inlet (IN) pressure tap screw (counter-clockwise).
2. Attach manometer using a 1/4" I.D. hose.
3. Light fireplace using hand held remote control. Note manometer reading.
4. Turn fireplace off using hand held remote control.
5. Disconnect hose and tighten screw (clockwise). Screw should be snug, do not over tighten.
9. Relight fireplace using hand held remote control. Reattach manometer to inlet pressure tap to verify it is completely sealed. Manometer should read no pressure.



**NOTE:** If inlet pressure reading is too high or too low, contact the gas company. Only a qualified gas service technician should adjust incoming gas pressure.



**CAUTION:** A LOW PRESSURE READING CAN CAUSE DELAYED IGNITION.

Outlet (Manifold) Pressure Screw

Low Limit Screw

Inlet Pressure Screw

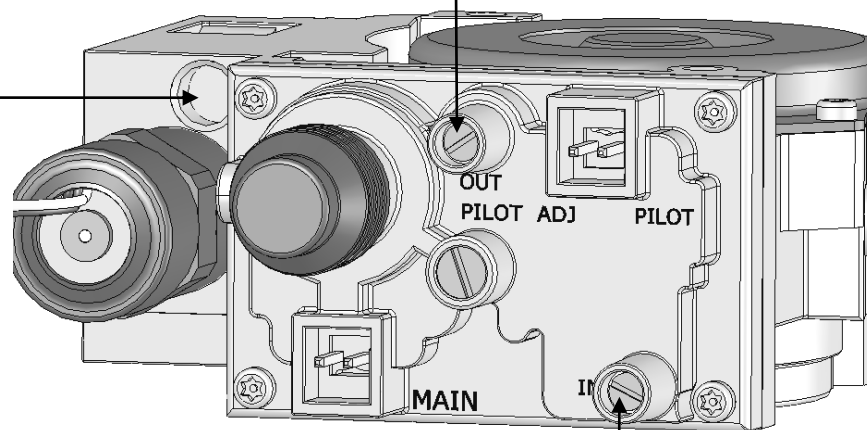


Figure 34a

# ERROR CODES

## IGNITION SAFETY: Protection for Ignition System

**Error Code:** One beep every one second.

**Description of Fault:** Warns users if pilot is not successfully ignited in 60 seconds.

**How to Clear:** Press MODE button to OFF then to ON to re-attempt ignition.

**What to Check:**

- ◆ Ensure gas supply is turned on.
- ◆ Ensure black cap leads marked PILOT from module are plugged into PILOT connection on valve body.
- ◆ Verify lead from igniter on pilot assembly is connected to I terminal on main control module. (Clicking sound will also be heard).
- ◆ Verify lead from flame sensor on pilot assembly is connected to S terminal on main control module. (Pilot will light but main burner will not. Pilot will extinguish after 60 seconds and error code will alarm).
- ◆ Verify black ground lead is connected to tab extending from valve bracket.

## SENSOR SAFETY: Protection for Flame Sensor

**Error Code:** Four beeps every one second.

**Description of Fault:** Warns users pilot flame sensor detects a pilot flame already present when ignition sequence is initiated. This fault will also occur if pilot flame sensor on main control module is shorted to ground.

**How to Clear:** Press MODE button to OFF then to ON to re-attempt ignition.

**What to Check:**

- ◆ Check if pilot flame is actually present when valve is turned OFF (if yes, replace valve).
- ◆ Replace pilot assembly.
- ◆ Replace module.

## THERMAL SAFETY: Overheat Protection

**Error Code:** Four beeps every two seconds.

**Description of Fault:** Warns users that module's internal temperatures have exceeded 170° F (77°C).

**How to Clear:** Module's internal temperatures must cool to below 160°F (71°C) and then press ON button.

**What to Check:**

- ◆ Are modules located in an unapproved location. Move to cooler location.

## COMMUNICATION SAFETY: Protection for Ignition System

**Error Code:** One beep every four seconds.

**Description of Fault:** Warns users the hand held remote and main control module are not communicating properly. This safety feature is active in both manual and thermo modes. The remote control sends a communication safety signal every 15 minutes. If the main control module does not receive this signal, it begins a 2-hour countdown. If no communication safety signal is received at the end of this countdown, the system will enter communication safety shutdown which turns system OFF and emits the error code.

**What to Check:**

- ◆ Verify batteries in hand held remote control are new.
- ◆ Ensure remote control is located within 20ft. (6m) of main control module.
- ◆ Ensure remote control is not placed directly on top of or inside a metal enclosure as this can interfere with transmission.

# FINALIZING THE INSTALLATION

## FLAME APPEARANCE:

Flame appearance is affected by several factors including altitude, venting configuration and fuel quality. Although the venturi settings have been factory set, adjustments may be necessary for optimal performance and visual aesthetics.

When fireplace is first lit, the flames will be blue. Flames will gradually turn yellowish-orange during first 15 minutes of operation. If flames remain blue, or become dark orange with evidence of sooting (black tips), burner tube venturis may need adjustment.



**WARNING: BURNER TUBE ADJUSTABLE VENTURI POSITIONING SHOULD ONLY BE PERFORMED BY A QUALIFIED PROFESSIONAL SERVICE TECHNICIAN.**

### FACTORY SET BURNER TUBE VENTURI SETTINGS (ADJUST AS NECESSARY FOR YOUR INSTALLATION)

	NATURAL GAS	LP (PROPANE) GAS
FRONT BURNER	100% CLOSED	5/8" (16mm) OPEN
BACK BURNER	1/8" (3mm) OPEN	5/8" (16mm) OPEN

### BURNER TUBE VENTURI ADJUSTMENT GUIDELINES

VENTURI POSITION	FLAME COLOR	VENTURI ADJUSTMENT
Closed too far	Dark orange flame with black tips	Open venturi setting slightly
Open too far	Blue flames	Close venturi setting slightly



**NOTE** If soot is present, check log positioning before adjusting burner venturi. Logs must not block burner ports.



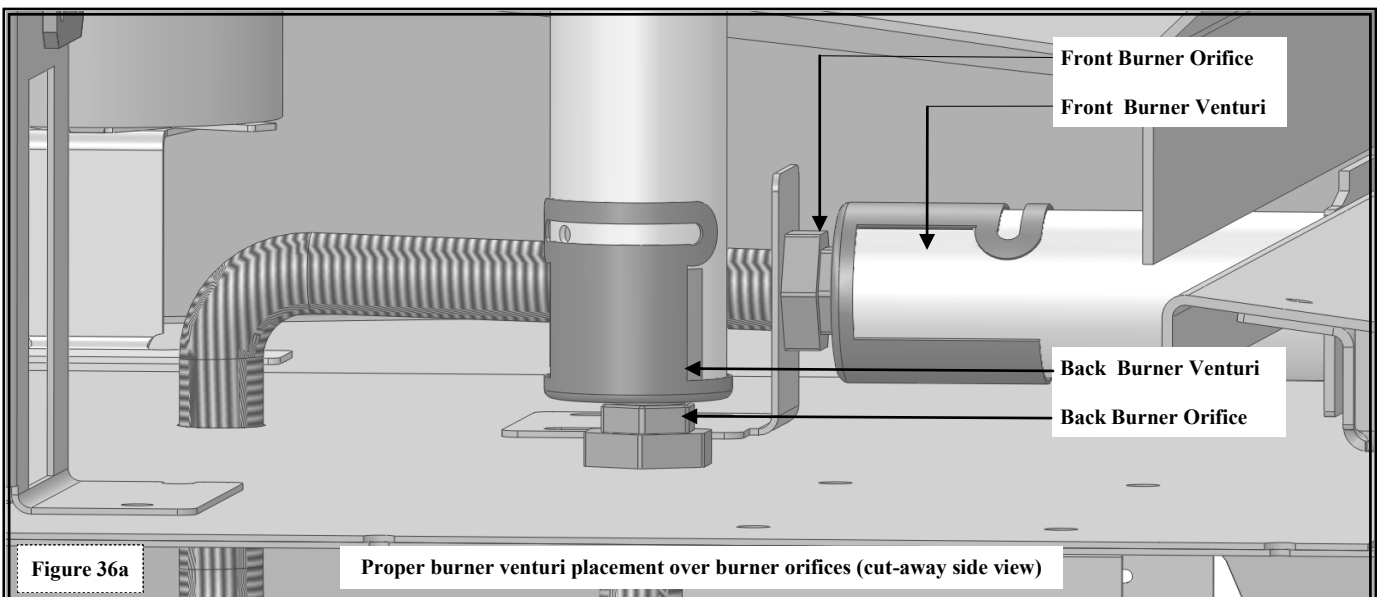
**IMPORTANT: SLIGHT ADJUSTMENTS TO BURNER VENTURI OPENING CREATE DRAMATIC RESULTS. ADJUST AT SLIGHT INCREMENTS UNTIL DESIRED LOOK IS ACHIEVED. ALWAYS BURN FIREPLACE FOR AT LEAST 15 MINUTES AND ALLOW TIME TO COOL BEFORE MAKING ANY FURTHER ADJUSTMENTS.**

## TO ADJUST VENTURIS:



**WARNING:** To avoid property damage or personal injury, allow fireplace time to cool before making any adjustments.

Remove back burner. Back venturi is located underneath back burner, front venturi is located above control board. Loosen venturi screws, adjust as necessary. Tighten screws. Reinstall all previously removed components, ensuring proper venturi placement over burner orifices.



# FINALIZING THE INSTALLATION

## RESTRICTOR USAGE:

Turn fireplace on and allow to burn for 15 minutes.

If flames indicate there is excessive draft (flickering, short flames), a restrictor may be necessary.

If flames indicate insufficient draft (lifting or ghosting flames), a previously installed restrictor may need to be modified or removed.



**WARNING: TO AVOID PROPERTY DAMAGE OR PERSONAL INJURY, ALLOW FIREPLACE AMPLE TIME TO COOL BEFORE MAKING ANY ADJUSTMENTS AND / OR INSTALLATIONS.**

## RESTRICTOR TROUBLESHOOTING

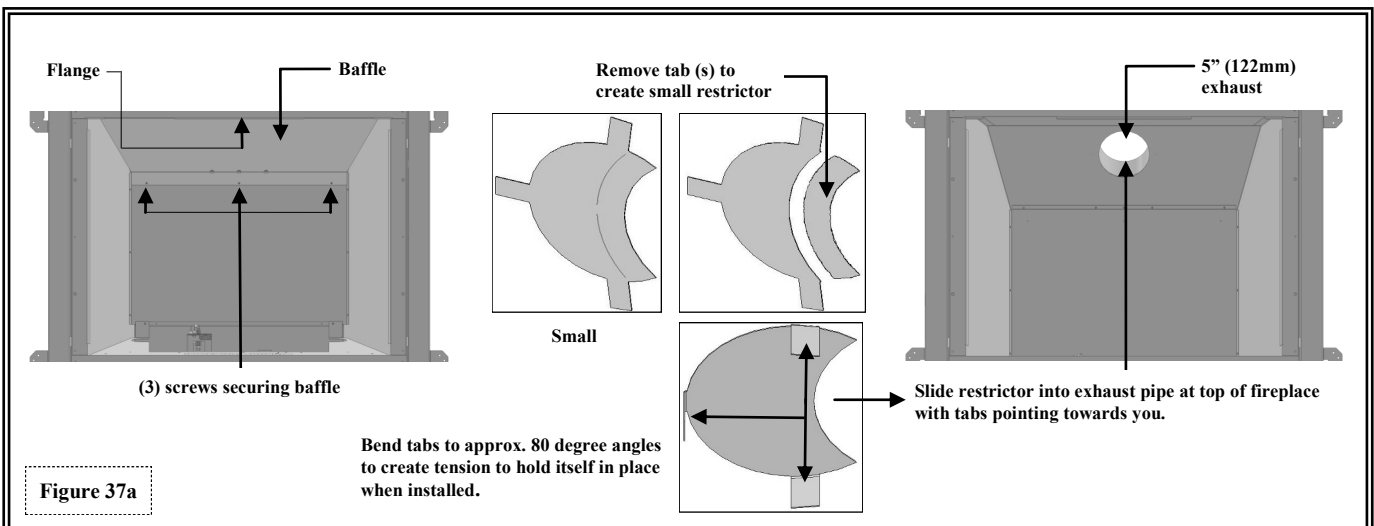
FLAME APPEARANCE	DRAFT PROBLEM	RESTRICTOR SOLUTION
Short, flickering	Excessive draft - not enough restriction	Add restrictor
Lifting or ghosting*	Insufficient draft - too much restriction	Remove inner ring (s) on restrictor or remove restrictor

\* Improper venting installation may cause flames to lift or “ghost” - a dangerous situation. Inspect flames after installation to ensure proper performance. If determined that venting is correct, and the restrictor has been removed, yet flames are still lifting or ghosting, shut off gas supply to fireplace and call a qualified service technician.

## RESTRICTOR INSTALLATION / MODIFICATION (after termination completion):

If determined that a restrictor is needed or restrictor modification is required after termination is installed, access can be reached through fireplace baffle. Remove logs, back burner, upper refractory clips and refractory.

1. Remove (3) screws securing baffle. Remove baffle to expose venting.
2. Depending on your specific needs, determined by the chart above along with other factors, make necessary modifications.
3. If installation of a restrictor (included in fireplace components packet) is necessary, bend tabs on restrictor to approx. 80 degree angles to create tension when inserted into exhaust pipe on fireplace. Insert restrictor into 5” exhaust pipe with tabs pointing towards you.
4. If modification is necessary, remove restrictor by pulling it down and out of 5” exhaust pipe.
5. Reinstall baffle by resting baffle front above flange along inside top of firebox opening. Tip baffle back against rear firebox wall. Secure with (3) screws previously removed.
6. Reinstall refractory panels, back burner assembly (ensure venturi is properly positioned over burner orifice), and log set.
7. Attach glass frame assembly and light fireplace. Wait 15 minutes before determining if any further modifications are necessary.



# MAINTENANCE

The appliance is required to be inspected at least once a year by a professional service person.

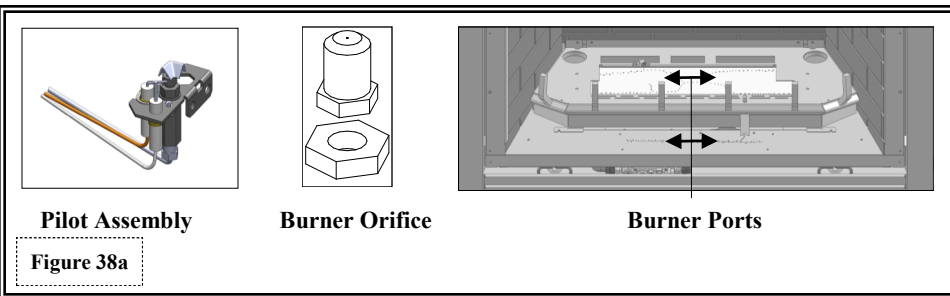
The compartment below firebox (behind lower grill) must be cleaned at least once a year, more frequent cleaning may be required due to excessive lint from carpeting, bedding materials, or other fibrous materials. Use a vacuum to clean all components at least once a year.



**NOTE:** INSTALLATION AND REPAIR SHOULD BE DONE ONLY BY QUALIFIED SERVICE PERSON. THE APPLIANCE SHOULD BE INSPECTED BEFORE USE AND ANNUALLY BY A QUALIFIED SERVICE PERSON. MORE FREQUENT CLEANING MAY BE REQUIRED DUE TO EXCESSIVE LINT FROM CARPETING, BEDDING MATERIALS, ETC. IT IS IMPERATIVE THAT CONTROL COMPARTMENTS, BURNERS AND CIRCULATION AIR PASSAGEWAYS OF THE APPLIANCE BE VACUUMED ONCE A YEAR.

## CONTROL BOARD SYSTEM

- Annual cleaning of burner system is required. Vacuum all components thoroughly.
- The burner assemblies may be removed for easier access. Refer to pages 21 in this installation manual for complete instruction on removing & reinstalling burner assemblies.
- Visually check for blocked port holes, especially near the pilot. Blocked port holes may cause delayed ignition.
- Reinstall burner assemblies following instructions on page 21-22 of this installation manual.
- Visually check pilot light and burners when in operation. Flames should be steady, not lifting or floating.



## FAN

The fan should be disconnected from electrical current, and cleaned (vacuumed) every six months. The bearings are sealed and require no oiling.

## VENT SYSTEM

Annual examination of venting system by a qualified agency is required.

IF VENT-AIR INTAKE SYSTEM IS DISASSEMBLED FOR ANY REASON, RE-INSTALL PER INSTRUCTIONS PROVIDED WITH INITIAL INSTALLATION.

The flow of combustion and ventilation air must not be obstructed.

## GLASS CLEANING & REPLACEMENT

- Clean glass only when cool and only with non-abrasive cleansers.
- **WARNING: DO NOT OPERATE APPLIANCE WITH THE GLASS/FRAME ASSEMBLY REMOVED, CRACKED OR BROKEN. REPLACEMENT OF THE GLASS SHOULD ONLY BE PERFORMED BY A LICENSED OR QUALIFIED SERVICE PERSON.**
- Use protective gloves to handle any broken or damaged glass assembly components.
- The glass assembly, part #INT-057T, shall only be replaced as a complete unit, as supplied by Hussong Mfg. Co., Inc.
- Replacement of glass & frame assembly, part #INT-057T, must only be performed by a licensed or qualified service person. **DO NOT SUBSTITUTE MATERIALS.**
- Do not strike or slam glass door assembly.



**IMPORTANT:** ANY SAFETY SCREEN OR GUARD REMOVED FOR SERVICING MUST BE REPLACED PRIOR TO OPERATING THE APPLIANCE.



**CAUTION:** LABEL ALL WIRES PRIOR TO DISCONNECTION WHEN SERVICING CONTROLS. WIRING ERRORS CAN CAUSE IMPROPER AND DANGEROUS OPERATION. VERIFY PROPER OPERATION AFTER SERVICING.

**CAUTION:** KEEP APPLIANCE AREA CLEAR OF COMBUSTIBLE MATERIALS, SUCH AS GASOLINE AND OTHER FLAMMABLE VAPORS AND LIQUIDS.

# TROUBLESHOOTING

## MAIN CONTROL MODULE WILL NOT LEARN TRANSMITTER

- ◆ Ensure REMOTE/OFF switch on side of main control module is set to REMOTE.
- ◆ Make sure batteries in both the hand held remote and backup battery pack are installed in the proper direction and are not drained.
- ◆ Verify hand held remote indicates a signal is being sent. The LCD display should indicate ON or OFF depending on which button is being pressed. The LED indicator should illuminate on wall transmitters and on/off transmitters. Buttons should be pressed and held for 1 to 2 seconds to ensure a complete signal is sent.
- ◆ Ensure 4-pin lead-set is securely connected from battery pack to main control module's AUX connection. If the A/C adapter is used, check that leads from adapter are securely connected to POWER terminals on main control module.
- ◆ Press and hold LEARN button on main control module for approximately 10 seconds to clear memory (you should hear a series of beeps from the receiver), immediately press either the ON or OFF button on hand held remote (you should hear a series of beeps indicating the transmitter code has been learned).

## PILOT WILL NOT LIGHT / STAY LIT

- ◆ Verify gas supply is turned on.
- ◆ Verify main control module is receiving signal from hand held remote by listening for a beep from receiver when ON is pressed on hand held remote. If you do not hear a beep, ensure main control module has learned the hand held remote. (See above).
- ◆ Ensure black lead from pilot assembly igniter is securely connected to terminal labeled "I" and red lead from flame rectification sensor is securely connected terminal labeled "S" on main control module.
- ◆ Ensure black cap leads marked PILOT from main control module are securely connected to terminals labeled PILOT on valve body.
- ◆ Ensure black GROUND wire is securely connected to tab located next to ON/OFF toggle switch. **A proper ground is essential to spark igniter operation.**
- ◆ Make sure pilot flame is in contact with flame rectification sensor on pilot assembly. This valve is equipped with a pilot flame adjustment screw. If pilot flame is too small it will not contact flame rectification sensor and will not complete the safety circuit.
- ◆ Check continuity of pilot on valve. Remove wire connector. If there is no continuity on pin terminals, replace valve.

## PILOT FLAME ALWAYS ON / WILL NOT EXTINGUISH

- ◆ Ensure continuous pilot icon is not present in LCD screen. If icon is present, press PILOT button. This will de-activate the continuous pilot feature and the icon will disappear from LCD screen.

## PILOT BURNING BUT IGNITER CONTINUES TO SPARK

- ◆ Check that flame sensor is fully engulfed by pilot flame. If needed, adjust pilot.
- ◆ Check end-to-end continuity of sensor. If sensor has continuity, replace module.

# TROUBLESHOOTING

## MAIN FLAME WILL NOT LIGHT

- ◆ Verify gas supply is turned on.
- ◆ Ensure pilot flame will ignite. If not, see pilot flame troubleshooting on previous page.
- ◆ Make sure white cap leads marked MAIN from module are securely connected to terminals marked MAIN on valve body.
- ◆ Make certain pilot flame is in contact with flame rectification sensor on pilot assembly. This valve is equipped with a pilot flame adjustment screw. If pilot flame is too small it will not contact flame rectification sensor and will not complete the safety circuit.
- ◆ Ensure pilot flame is properly located to ignite main flame.
- ◆ Does hand held remote show CP in the display? If yes, childproof is on. De-activate by pushing PROG/TIME & UP keys at same time for more than 5 seconds.
- ◆ Check continuity of main burner coil on gas valve. Remove wire connector. If there is no continuity on pin terminals, replace valve.

## FLAME HEIGHT ADJUSTMENT NOT WORKING / WORKS BACKWARDS

- ◆ Ensure “+” (white dotted wire) and “—” (black wire) leads from battery pack or module are securely connected to “+” (white dotted wire) and “—” (black wire) leads from main control module (“+” to “+”, “—” to “—”).
- ◆ Check functionality with all transmitters to determine if there is an issue with the main control system or an individual transmitter. If the issue is with an individual transmitter, make sure batteries in hand held remote and backup battery pack are installed properly and are not drained.

## ROOM TEMP. DISPLAYED ON HANDHELD REMOTE NOT CORRECT

- ◆ Ensure transmitter was not recently stored in a different location (air-conditioned, heated) from that in which the hand held remote was tested. It may take up to 3 hours for the temperature inside a packaged transmitter, and several minutes for an unpackaged transmitter to equalize with room temperature.

## FIREPLACE WILL NOT RESPOND IN “THERMO” MODE

- ◆ Ensure hand held remote is within 20ft. (6.096m) operational range.
- ◆ Make sure an ON or OFF command was not last sent from another transmitter. These commands will override thermal commands from the handheld remote control. To return system to THERMO mode, press either ON or OFF on hand held remote, then press MODE button to put system in THERMO mode. Press and hold SET button to change set temperature.
- ◆ Verify set temperature on hand held remote is at least 2°F (1°C) above or below room temperature. The system will not react to temperatures within 2°F (1°C) of set temperature.

# CONVERSION KIT INSTRUCTIONS

#OCK-A3757N-I-INT-PSE NAT GAS CONVERSION KIT / #OCK-A5163L-I-INT-PSE LP GAS CONVERSION KIT

**WARNING:** This conversion kit shall be installed by a qualified service agency in accordance with the manufacturers instructions and applicable codes and requirements of the authority having jurisdiction. If the information in these instructions is not followed exactly, a fire, explosion or production of carbon monoxide may result, causing property damage, personal injury or loss of life. The qualified service agency is responsible for proper installation of this kit. The installation is not proper and complete until operation of the converted appliance is checked as specified in the instructions supplied with the kit. Refer to appliance owner's manual or product data plate for proper inlet and manifold pressure adjustments and orifice sizing.

Kit includes: (1) Gas Conversion Label (1) Pilot Orifice: NAT #.018 / LP #.012  
(2) Burner Orifices: NAT #37 & #57 / LP #51 & #63 (1) Low Limit Screw: NAT #42 / LP #54  
(1) Gas Label

**CAUTION:** THE GAS SUPPLY SHALL BE SHUT OFF PRIOR TO DISCONNECTING THE ELECTRICAL POWER, BEFORE PROCEEDING WITH THE CONVERSION.

**WARNING:** SHUT OFF GAS SUPPLY AND ELECTRIC POWER TO FIREPLACE. SHUT OFF GAS SUPPLY BEFORE DISCONNECTING ELECTRIC POWER.

## PREPARE THE FIREPLACE:

1. Remove upper hood, upper louver, glass assembly\*.
2. Remove logs\*.
3. Remove back burner assembly from fireplace\*.
4. Loosen screws securing front orifice bracket, pull orifice backwards out of front venturi.

## REPLACE BURNER ORIFICES:

Remove existing orifice caps and replace with orifice caps included with kit, placing orifice with small hole at the front of fireplace and orifice with large hole at the back. Tighten caps securely.

## CONVERT PILOT ASSEMBLY:

1. Remove (2) screws securing pilot assembly to pilot bracket. Place 7/16" wrench on upper fitting and 1/2" wrench onto lower fitting, turn pilot hood nut counter-clockwise to remove pilot hood.
2. Remove pilot orifice located inside lower fitting and replace with one included with kit.
3. Re-attach pilot hood. Tighten with wrenches, making sure pilot hood is positioned as shown in Figure 41c. Final alignment of sensor and hood outlet is critical for proper ignition.
4. Attach pilot assembly to pilot bracket with screws previously removed.

## GAS TYPE CONVERSION:

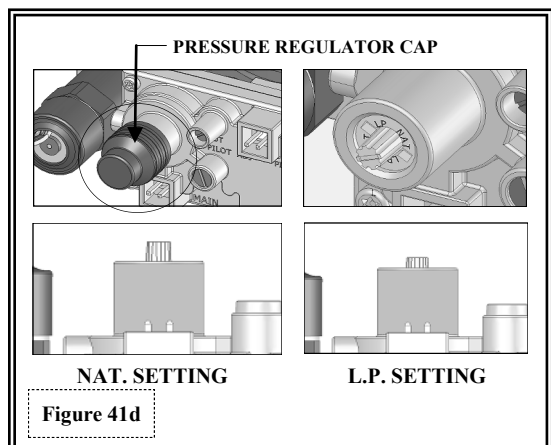
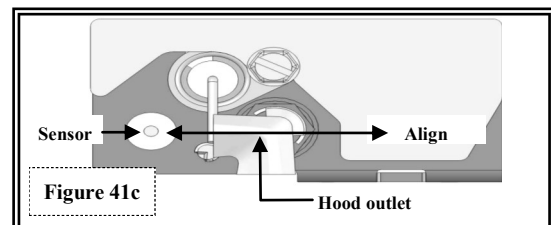
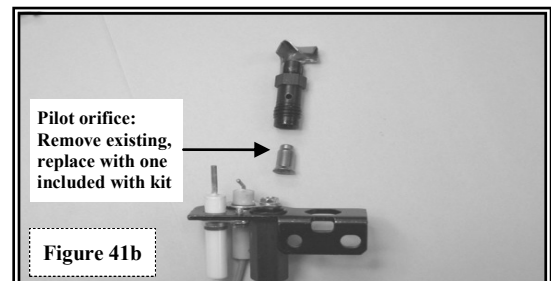
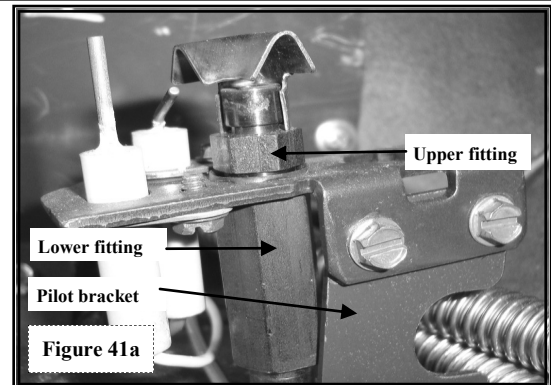
Press and hold Learn Button on Main Control Module for 20 seconds. A beep will be heard letting you know the procedure has been completed.

**If converting from NAT to LP gas:** one (1) second long beep

**If converting from LP to Nat gas:** three (3) second long beep

## CONVERT GAS CONTROL VALVE:

1. Remove cap covering the pressure regulator.
2. Press down on pressure regulator tube and rotate 90°. The shaft will pop out and point to chosen gas type. Re-attach cap.
3. Remove existing low limit screw (located above valve motor, see page 34). Replace with one included with kit.



# CONVERSION KIT INSTRUCTIONS

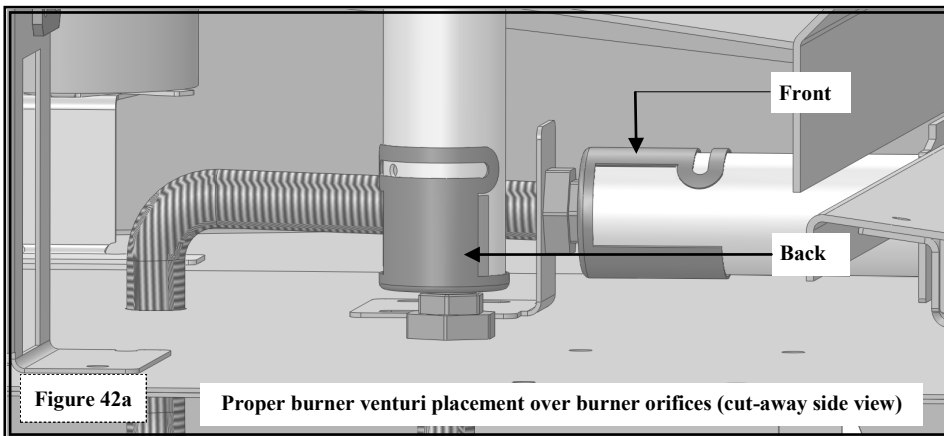
## COMPLETE THE CONVERSION:

1. Adjust burner venturi settings by loosening screws, adjusting caps and retightening screws.  
Note: Venturi may need further adjustment, depending on your venting configuration.

**CORRECT SETTINGS: NAT. : Front venturi - closed / Back venturi - 1/8" (3mm)  
L.P. : Both venturis - 5/8" (16mm) open**

2. Pull front orifice bracket forward until orifice is properly seated in front venturi. Tighten screws\*. Figure 42a.
3. Re-install back burner assembly into fireplace, checking to ensure burner venturi is properly seated over burner orifices\*. Figure 42a.
4. Re-install logs\*.
5. Turn on gas and electrical supplies.
6. Light fireplace\*. Check for leaks at all connections with a gas leak detector, whether field or factory made, .
7. Test inlet pressure\*.
8. Visually check pilot flame. Flame should envelope top of flame sensor and extend onto burner far enough for proper ignition.  
To Adjust Pilot: Turn pilot adjustment screw clockwise to decrease or counter-clockwise to increase pilot flame.
9. Turn fireplace off.
10. Affix gas type sticker to existing label.
11. Reinstall glass frame assembly, upper louver and upper hood\*.
12. Complete and affix Gas Conversion label behind lower grill.

**\*REFER TO CORRESPONDING PAGES IN THIS INSTALLATION MANUAL IF NECESSARY.**



**Fireplace Model No.:** \_\_\_\_\_

This appliance and control was converted  
on \_\_\_\_\_ to  
\_\_\_\_\_ gas with Kit No.: \_\_\_\_\_ by  
Company: \_\_\_\_\_  
Address: \_\_\_\_\_

Which accepts responsibility that this conversion has been properly made.

**Minimum / Maximum inlet pressures:** Refer to rating plate  
**Manifold Pressure:** Refer to rating plate.  
Orifice size: \_\_\_\_\_ Input Rating: \_\_\_\_\_ BTU

**Complete and affix as close as possible to rating plate.**

Figure 42b **GAS CONVERSION LABEL (included with conversion kit)**

# #INT-060 OPTIONAL UPGRADE KIT FOR INT-100

INSTALLATION OF THIS KIT SHOULD BE DONE ONLY BY A QUALIFIED INSTALLER



**WARNING:** Disconnect any electrical components from their power source prior to performing this task!

This kit includes: (1) Rear Light Kit (1) Extension / Fan Module Kit (1) Fan Kit- (2) 75 CFM w/ 4-pin wire harness w/ (4) nuts



**WARNING:** MAKE SURE HOUSEHOLD BREAKER IS SHUT OFF PRIOR TO WORKING ON ANY ELECTRICAL LINES.

**WARNING:** THIS APPLIANCE IS EQUIPPED WITH A THREE-PRONG (GROUNDING) PLUG FOR PROTECTION AGAINST SHOCK HAZARD AND SHOULD BE PLUGGED DIRECTLY INTO A PROPERLY GROUNDED THREE-PRONG RECEPTACLE.



**NOTE:** This appliance must be electrically grounded and connected in accordance with local codes, or in the absence of local codes, with the National Electrical Code, ANSI/NFPA 70 Current Edition, or the Canadian electrical Code CSA C22.1.

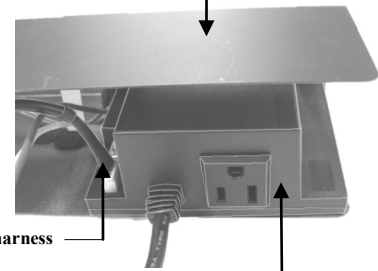
The following components must be removed from fireplace before installing this kit. Upper grill, upper hood, lower grill, glass frame assembly, log set and back burner assembly. Refer to corresponding pages in this installation manual for assistance if necessary.



**NOTE:** PLEASE REFER TO WIRING SCHEMATIC ON FOLLOWING PAGE FOR ASSISTANCE.

1. Disconnect all wiring harnesses from gas valve.
2. Remove control module housing assembly from compartment under firebox.
3. Insert fans through right side of lower grill opening, push to back of fireplace. Align mounting slots in fan brackets with mounting studs. Secure with nuts.
4. Locate extension/fan module kit. Insert one end of 4-pin wiring harness into 4-pin receptacle marked COMM on extension/fan module.
5. Install extension/fan module into housing, making sure power cord is facing the back side. Velcro strips have been attached to help secure in place.
6. Insert other end of 4-pin extension/fan module wiring harness into 4-pin receptacle on main control module marked COMM.
7. Plug fan cord into receptacle on extension / fan module marked FAN.
8. Locate and remove screws at back corners of firebox (2 ea. side). Align light stands over these holes, positioning base flanges towards center of fireplace and light brackets toward outer firebox. Secure with screws previously removed.
9. Locate and remove triangular shaped plate from back left side of control board. Reinstall screws. Install rubber grommet included with light kit into large remaining hole.
10. Feed light stand wires through grommet, pulling under firebox to front left side. Connect white wire on extension/fan module to white wire on light kit, repeating with red/black wires.
11. Silicone around grommet and wires to create an airtight seal.
12. Install halogen bulbs into receptacles. Check that bulbs are working by plugging power cord into outlet. Unplug before continuing.

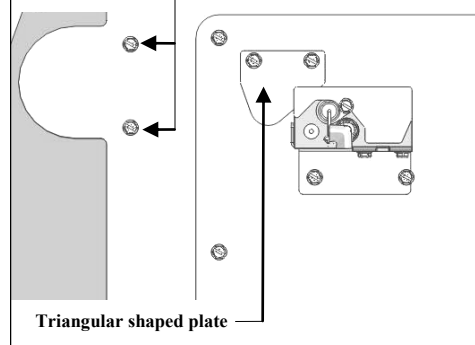
Control module housing assembly



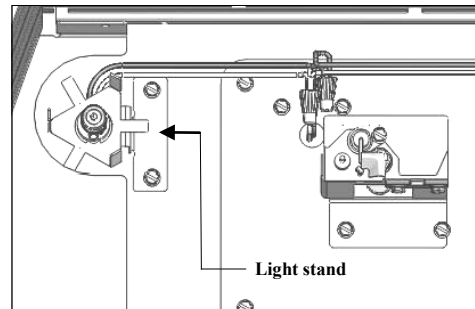
4-pin wiring harness

Extension/Fan module

Light stand mounting holes



Triangular shaped plate



Light stand

Figure 43a



# REPLACEMENT PARTS LIST

Replacement parts are available through your local dealer. Contact them for availability and pricing.

## CONTROL BOARD SYSTEM AND PARTS

INT-600-IPI	INT IPI Board - Nat Gas	700-203	Manual Shut-off Valve
INT-601-IPI	INT IPI Board - LP Gas	700-213B	18" Flexible Gas Line-Black
700-400-06	Main Control Module	700-226F	Flexible Gas Line-Valve to Burner Connection
700-404-INT	IPI Valve - Natural Gas	700-257	Natural Gas Orifice #57 - front burner
700-404-INT-1	IPI Valve - LP Gas	700-237	Natural Gas Orifice #37 - back burner
700-201	Pilot Assembly - Natural Gas	700-263	LP Gas Orifice #63 - front burner
700-201-1	Pilot Assembly - LP Gas	700-251	LP Gas Orifice #51 - back burner
700-800	8-PIN Primary Wire Harness: Primary Wire Harness	OCK-A3757N-I-INT-PSE	Natural Gas Conversion Kit
700-500	5-PIN Wire Harness: Main Module to Valve Step Motor	OCK-A5163L-I-INT-PSE	LP Gas Conversion Kit
700-120	Extension Module (INT-200 only)	INT-135	Burner / Log Grate Assembly
700-401	4-PIN Wire Harness: Control Module to Extension Module	700-342	NAT. Low Limit Screw #42
700-750	7.5 Volt Adaptor	700-354	LP Low Limit Screw #54
INT-208	IPI Remote Control	700-752	Pilot Igniter (with wire)
700-094-P	NAT. Gas Pilot Orifice (PSE)	700-753	Pilot Flame Sensor (with wire)
700-095-P	LP Gas Pilot Orifice (PSE)	700-403	Step Motor
700-751	Battery Back-up with (4) AA Batteries		

## GRILL REPLACEMENT

TRF-200	Upper Hood
TRF-200A	Upper Low Profile Hood (may be used behind full door faces)
TRF-201	Lower Grill
TRF-200L	Upper Hood Louver

## REFRACTORY PANELS

INT-G900	(4 pc.) Refractory Panel Set
INT-G900LS	Left Side Refractory Panel
INT-G900RS	Right Side Refractory Panel
INT-G902	Top Refractory Panel
INT-900B	Back Refractory Panel

## COMBUSTIBLE MATERIAL BACKER BOARD

MTK-FPS	FirePro Standoff
---------	------------------

## GLASS & GLASS GASKET

INT-005	Replacement Valance
900-006	1-1/8" Glass Gasket w/ Adhesive
INT-057T	Valance with 26" x 35" glass

## FAN ASSEMBLIES (INT-200 only)

INT-028	Fan Kit (INT-200 only)
---------	------------------------

## LIGHT KIT (INT-200 only)

INT-RLK	Light Kit
600-676	35W 130V Halogen Bulb
600-678	Amber Disk

## LOG SET

INT-500	Log Set
INT-1	#1 Log
INT-2	#2 Log
INT-3	#3 Log
INT-4	#4 Log
INT-5	#5 Log
INT-6	#6 Log
INT-7	#7 Log
INT-8	#8 Log
INT-9	#9 Log
INT-10	#10 Log
INT-11	#11 Log
INT-12	#12 Log
900-KLK	Klinkers
900-REMB	Rock Wool Embers

\*Consult your dealer for information on optional accessories available for this fireplace.

This appliance tested & certified by:  
OMNI - Test Laboratories, Inc.  
13327 NE Airport Way  
Portland, Oregon 97230

Models #INT-100 / #INT-200

Manufactured by:

Hussong Mfg. Co., Inc.  
204 Industrial Park Drive  
Lakefield, Minnesota 56150  
507-662-6641

# LIMITED WARRANTY

Effective July 01, 2011

## LIMITED 10 YEAR WARRANTY

This Limited 10 Year Warranty will not become effective until the Warranty Registration form has been completed and mailed to Hussong Manufacturing Co., Inc., P.O. Box 577, Lakefield, MN. 56150. This registration form must be received within 30 day of installation. Failure to do so may result in delayed warranty coverage and submission of proof of purchase will be required.

Hussong Manufacturing Co., Inc. warranties to the original purchaser of this Ambiance Fireplace, that it is free of defects in materials and workmanship at the time of manufacture.

Subject to the following conditions and requirements, Hussong Manufacturing Co., Inc. extends the following limited warranty under normal use and service, with respect to the Ambiance line of gas burning fireplaces.

**YEAR 1:** Subject to the conditions and requirements listed below, within the first year from date of purchase, Hussong Manufacturing Co., Inc. shall, at its discretion, replace or repair any such defect in material or workmanship, at Hussong Manufacturing Co., Inc.'s expense, including reasonable labor costs to repair or replace the defective component, if a factory pre-authorization is given for the repair.

**YEARS 2-10:** Subject to the conditions and requirements listed below, beginning with the first day of the second year and continuing through the tenth year, Hussong Manufacturing Co., Inc., will at its discretion, provide repair or replacement parts at current list prices for any defect in material or workmanship of components, including optional components and accessories (if available). Hussong Manufacturing Co., Inc. shall not be responsible for any installation, labor transportation or other indirect costs.

## LIMITATION OF LIABILITY

To make a claim under this warranty, the purchaser must first contact the dealer/installer from whom the fireplace was purchased.

This limited warranty will be void if the fireplace is not installed by a qualified installer and according to the installation instructions. Use of unauthorized components will make this warranty null and void.

This Limited Warranty also is void if the fireplace is not operated, at all times, according to the operating instructions furnished.

This warranty is limited to defects in material and workmanship. It does not apply to any product that has been subject to negligence, misapplication, improper installation. Remote control warranties are covered by the remote control manufacturer and are excluded from this Limited Warranty.

No person is authorized to extend the time of this warranty or accept on Hussong Manufacturing Co., Inc.'s behalf any additional obligation of liability connected with the unit.

It is expressly agreed and understood that this warranty is Hussong Manufacturing Co., Inc.'s sole obligation and purchaser's exclusive remedy for defective fireplace equipment. Hussong Manufacturing Co., Inc. shall not be liable for any consequential, incidental or contingent damages whatsoever. The foregoing warranty is exclusive and in lieu of all other expressed warranties. Hussong Manufacturing Co., Inc. shall not be held to implied warranties or merchantability and fitness for a particular purpose. This warranty replaces all previous warranty policies.

Some states do not allow the exclusion or limitation of incidental or consequential damages or limitations on how long an implied warranty lasts, so the above limitations or exclusions may not apply to you. This warranty gives you specific legal rights and you may also have other rights which vary from state to state.

Hussong Manufacturing Co., Inc. reserves the right to make changes at any time, without notice, in design, material, specifications and prices. Hussong Manufacturing Co., Inc. reserves the right to discontinue models and products.

## WARRANTY CONDITIONS AND REQUIREMENTS

1. You are the original purchaser. This warranty is not transferable.
2. Installation of the fireplace is performed by a qualified installer.
3. Installation and operation must comply with installation and operation instructions.
4. Paine and glass gaskets are covered for 30 days from date of purchase.
5. Components (including glass panels) broken, during shipping, careless handling of components, or defects resulting from improper installation, misuse of the fireplace and components are not covered under this warranty.
6. This warranty does not cover any part of the fireplace or any components which have been exposed to or submerged under water.
7. Hussong Manufacturing Co., Inc. must be notified by the dealer the fireplace was purchased from or a qualified installer or service technician of the defect.
8. Annual service of the fireplace as required in the installation manual, is performed by a qualified installer/service technician. (Copies of such service records may be required to claim a warranty).
9. All previous warranty/service has been performed by a qualified installer or service technician. (Copies of such service records may be required to claim a warranty).

# LIFETIME WARRANTY

**THIS LIFETIME WARRANTY COVERAGE WILL BE EXTENDED AS DESCRIBED BELOW PROVIDED ALL WARRANTY CONDITIONS AND REQUIREMENTS ARE MET AS OUTLINED IN THE 10 YEAR LIMITED WARRANTY POLICY.**

## LIFETIME WARRANTY COVERAGE

LIFETIME WARRANTY IS EXTENDED AS FOLLOWS: Hussong Manufacturing warranties to the original purchaser that the firebox, heat exchanger, fiber logs, burner tube and glass of this Ambiance fireplace will not be defective in material or workmanship under normal use and service for as long as you own this product. If any of these components fail due to defects in material or workmanship under normal use and service, Hussong Manufacturing Co., Inc. will, at its sole discretion, repair or replace the defective components. This LIFETIME WARRANTY does not cover any installation, labor, transportation or other indirect costs arising from defective components.

## LIMITATION OF LIABILITY

This Lifetime warranty will be void if the fireplace is not installed by a qualified installer and according to the installation instructions. Use of unauthorized components will make this warranty null and void. This Lifetime Warranty also is void if the fireplace is not operated, at all times, according to the operating instructions furnished. This warranty is limited to defects in material and workmanship of components specified, It does not apply to any product that has been subject to negligence, misapplication, improper installation.

No person is authorized to extend this Lifetime Warranty or to accept on Hussong Manufacturing Co., Inc.'s behalf any additional obligation of liability connected with the unit.

Hussong Manufacturing Co., Inc. may fully discharge all obligations with respect to this Lifetime Warranty by refunding the wholesale price of the defective component(s).

It is expressly agreed and understood that this Lifetime Warranty is Hussong Manufacturing Co., Inc.'s sole obligation and original purchaser's exclusive remedy for defective fireplace equipment. Hussong Manufacturing Co., Inc. shall not be liable for any consequential, incidental or contingent damages whatsoever other than those incurred by Hussong Manufacturing Co., Inc. to repair or replace the defective component. The foregoing warranty is exclusive and in lieu of all other expressed warranties. Hussong Manufacturing Co., Inc. shall not be held to implied warranties or merchantability and fitness for a particular purpose. This lifetime warranty replaces all previous lifetime warranty policies.

Hussong Manufacturing Co., Inc. reserves the right to make changes at any time, without notice, in design, material, specifications and prices. Hussong Manufacturing Co., Inc. reserves the right to discontinue models and products.

June 2011

CUT ALONG DOTTED LINE

**TO ACTIVATE THIS LIFETIME WARRANTY COVERAGE, THIS REGISTRATION CARD MUST BE COMPLETED AND MAILED WITH YOUR COMPLETED 10 YEAR LIMITED WARRANTY FORM WITHIN 30 DAYS OF INSTALLATION TO:**

**Hussong Manufacturing Co., Inc.  
P.O. Box 577  
Lakefield, Minnesota 56150**

**PURCHASER NAME:** \_\_\_\_\_ **INSTALLATION DATE:** \_\_\_\_\_

**ADDRESS:** \_\_\_\_\_ **MODEL #:** \_\_\_\_\_

**SERIAL #:** \_\_\_\_\_

**TELEPHONE:** \_\_\_\_\_

**INSTALLER NAME:** \_\_\_\_\_

**ADDRESS:** \_\_\_\_\_

**TELEPHONE:** \_\_\_\_\_