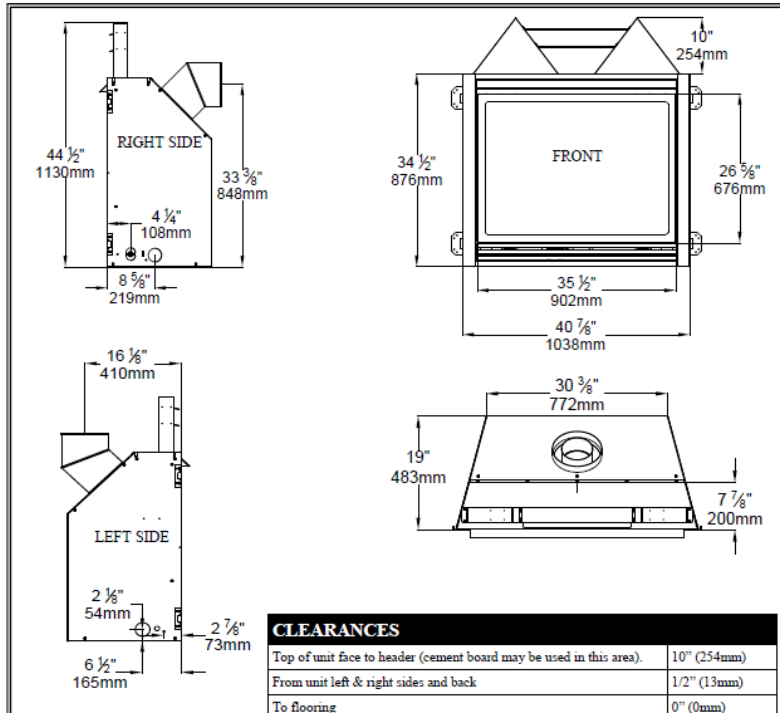


Intrigue Specifications



CLEARANCES	
Top of unit face to header (cement board may be used in this area).	10" (254mm)
From unit left & right sides and back	1/2" (13mm)
To flooring	0" (0mm)