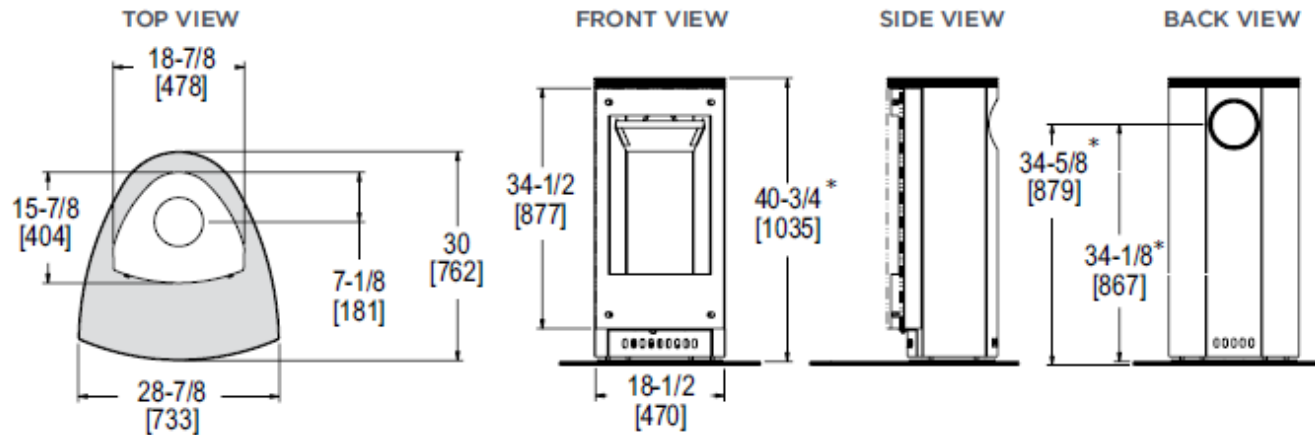


MODEL	FRONT WIDTH	BACK WIDTH	HEIGHT	DEPTH	GLASS SIZE	BTU/HOUR INPUT
PALOMA	18-7/8	18-7/8	40-3/4	15-7/8	16-1/2 x 29	20,000-30,000 (NG)

Shown with optional hearth pad



*Vertical measurement includes optional hearth pad height of 3/8"

CLEARANCES TO COMBUSTIBLES

MODEL	A	B	C	D	E	F	G	H	I	J	K
PALOMA	6	10-1/8	12-1/8	54	36	30-3/4	13-1/4	13-1/4	1	15-1/2	5

Clearances are in inches. See installation manual for more information

