

Full Spectrum Sanctuary Retreat by Clearlight®



Features

Therapeutic Far Infrared Heaters

Clearlight's exclusive True Wave® Far Infrared heaters are the only patented low EMF full spectrum heaters on the market. True Wave combination carbon/ceramic low EMF / low ELF heaters surround you in healing infrared heat.

True Wave® Full Spectrum Heaters

Our full spectrum near, mid and far infrared heaters deliver over 20 times the power of the nearest leading competitor. Our patented heating system allows for the deepest penetration with peak performance for the best results.

Two Removable Benches

Relax in comfort with two removable 34 ¼" benches or remove the benches for easy wheelchair access.

Italian Inspired Design & Glass Roof

The open feel and beautiful design of your Sanctuary sauna will compliment every room.

Beautiful Accent Lights

Energy efficient LED lights highlight the beauty of your sauna while providing gentle ambient lighting.

Charging & Audio Ports

Charge your smart device inside the sauna and connect your favorite audio device with Bluetooth or the included MP3 jack.

Wheelchair Accessibility Features

Our sauna is equipped with a strong hemlock wood ramp for wheelchair access. The 36" wide door is taller for easy entry, and features a lower keypad for convenient use, along with wheelchair-friendly wood and steel handles designed to enhance accessibility when utilizing removable benches. Please check national & local requirements for accessibility compliance before purchasing.

Exclusive Under Floor Foot Heater

All Clearlight Sanctuary Saunas include a heater underneath the wood floor to enhance your sauna session.



Enhanced Audio Sound System

Bluetooth and AUX inputs makes it easy to connect and listen to your audio devices.



Digital Keypad Controls

Digital keypad controls temperature, time, lights, heater intensity and reservation mode.



Chromotherapy

Your Sanctuary sauna comes with our upgraded healing Chromotherapy. Choose from one of twelve colors or auto-cycle through all color tones.



Smart Device Control (Optional)

Log in from your smart device and remotely operate your sauna.

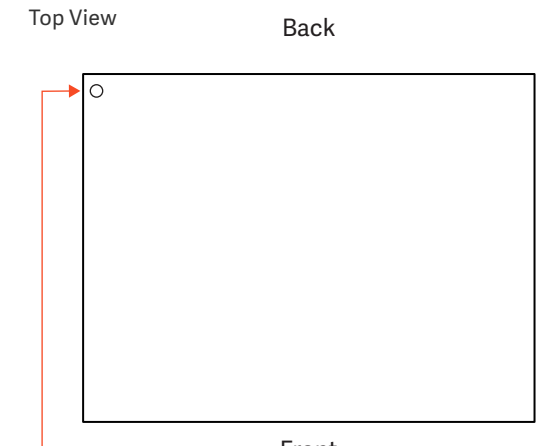
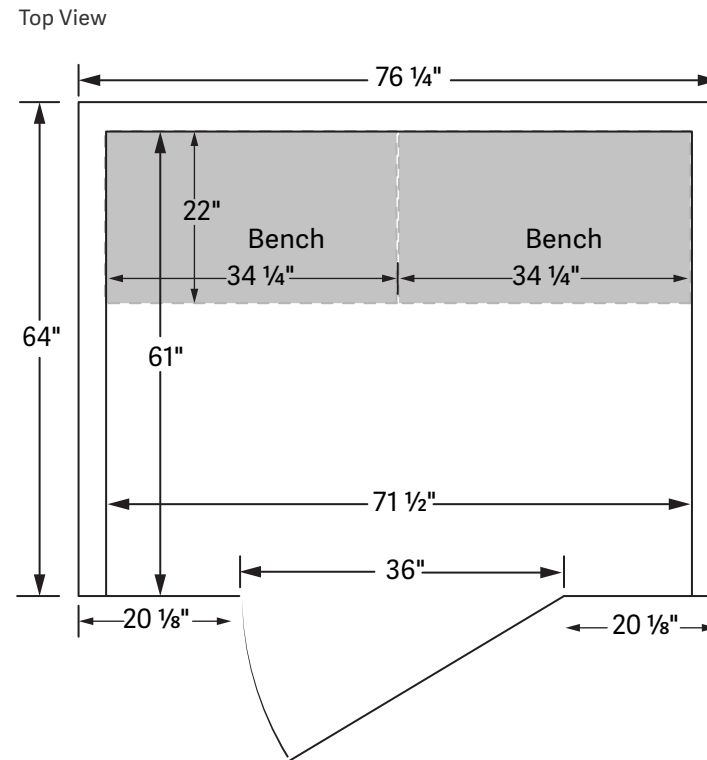
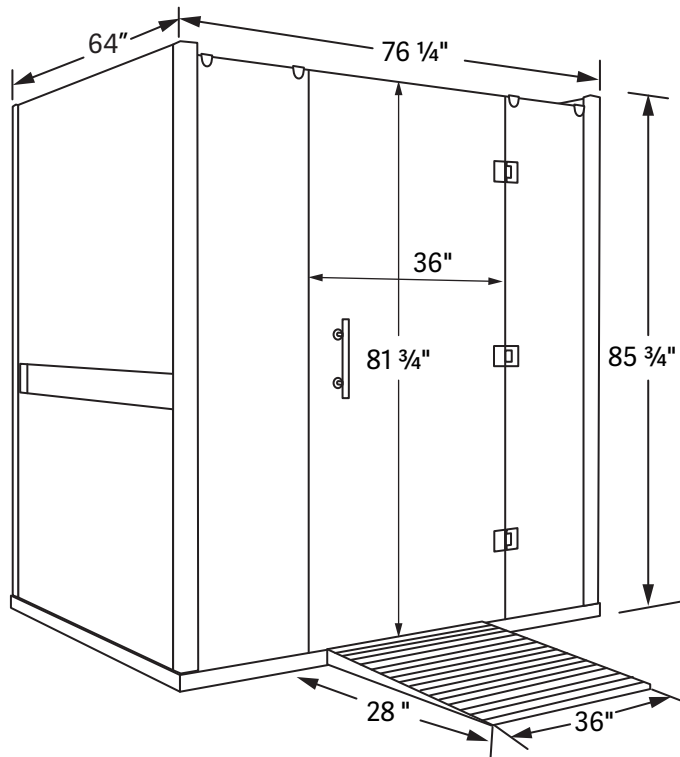
Full Spectrum Sanctuary Retreat by Clearlight®

Installation Notes:

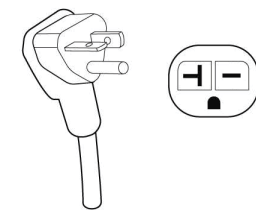


If you plan to build the sauna into an enclosed area, please contact your Infrared Sauna Specialist to ensure proper installation clearance and service access.

* See last page for full details.



Power cord comes out of the roof of the sauna and is approximately 8 ft long.



240V / 20 Amps Electrical Circuit
Required NEMA 6-20p

Specifications

Construction

Eco-Certified wood choices:
Mahogany Exterior/Interior
Basswood Exterior/Interior
Tongue & Groove Construction
Weight: 780 lbs

Exterior

Width: 76 1/4"
Depth: 64"
Height: 85 3/4"
Door Opening:
36" x 81 3/4"

Interior

Width: 71 1/2"
Depth: 61"
Height: 82 3/4"

Two Benches:

Width: 34 1/4"
Depth: 22"
Height: 19 1/4"
Weight limit: 350 lbs per bench

Ramp

Width: 36"
Depth: 28"
Elevated Height: 2 1/2"
Bottom Height: 1/4"
Slope: 3.136°

Heaters

True Wave® Carbon/Ceramic
Far Infrared and Full Spectrum
Heaters
Power: 240V / 3,610W / 15.1A

Limited Lifetime Residential & 5 Year Commercial Warranty

Cabinetry & Glass
Electrical
Heaters
Controls

Full Spectrum Sanctuary Retreat by Clearlight®

Individual panel sizes, laying flat, in inches.

Panel	Length	Width	Height
Roof	33	72	3
Floor	64 ½	76 ¾	2 ¼
Left Side	84	64 ¼	3 ½
Right Side	84	64 ¼	3 ½
Back Wall	84	71 ½	4 ¼

Electrical Wire Requirements:

20 amp saunas are 12 AWG

Single Phase / 3 wire: 2 x live/ground - for 240v



Attention: Make sure largest panel can fit through all access points from location entrance to sauna set up location.

Installation and Clearance Requirements

Your sauna is designed as a standalone unit and must be fully accessible on all sides and above for any service related needs.

Minimum Installation Requirements (for proper setup and airflow):

- 4 inches of clearance on all sides
- 6–8 inches of overhead clearance is recommended
- If the ceiling is less than 8 feet tall, please discuss your installation with a Sauna Specialist.

*These clearances allow for basic airflow and safe installation. Additional space may be needed if not professionally installed by our recommended 3rd party.

Customer Responsibility

If service is needed, the sauna must be fully accessible on all sides and the top. The customer is responsible for moving or removing any surrounding structures or facades to provide necessary access.

Removable Bench Placement Requirement

Maintain a minimum distance of 18 inches (46 cm) between removable benches and front heaters to ensure proper performance and safety compliance.

Add On

- Can't have both upgrade heater and Red Light simultaneously
- Not VRT compatible
- No Charging Cubby

Surface Requirements

Make sure sauna is placed on a level surface



For specific recommendations on which wheelchairs are compatible with your Infrared Sauna, please reach out to your Clearlight Infrared Sauna Specialist.

We advise against using battery-operated wheelchairs inside the sauna, as the heat can affect the battery performance.